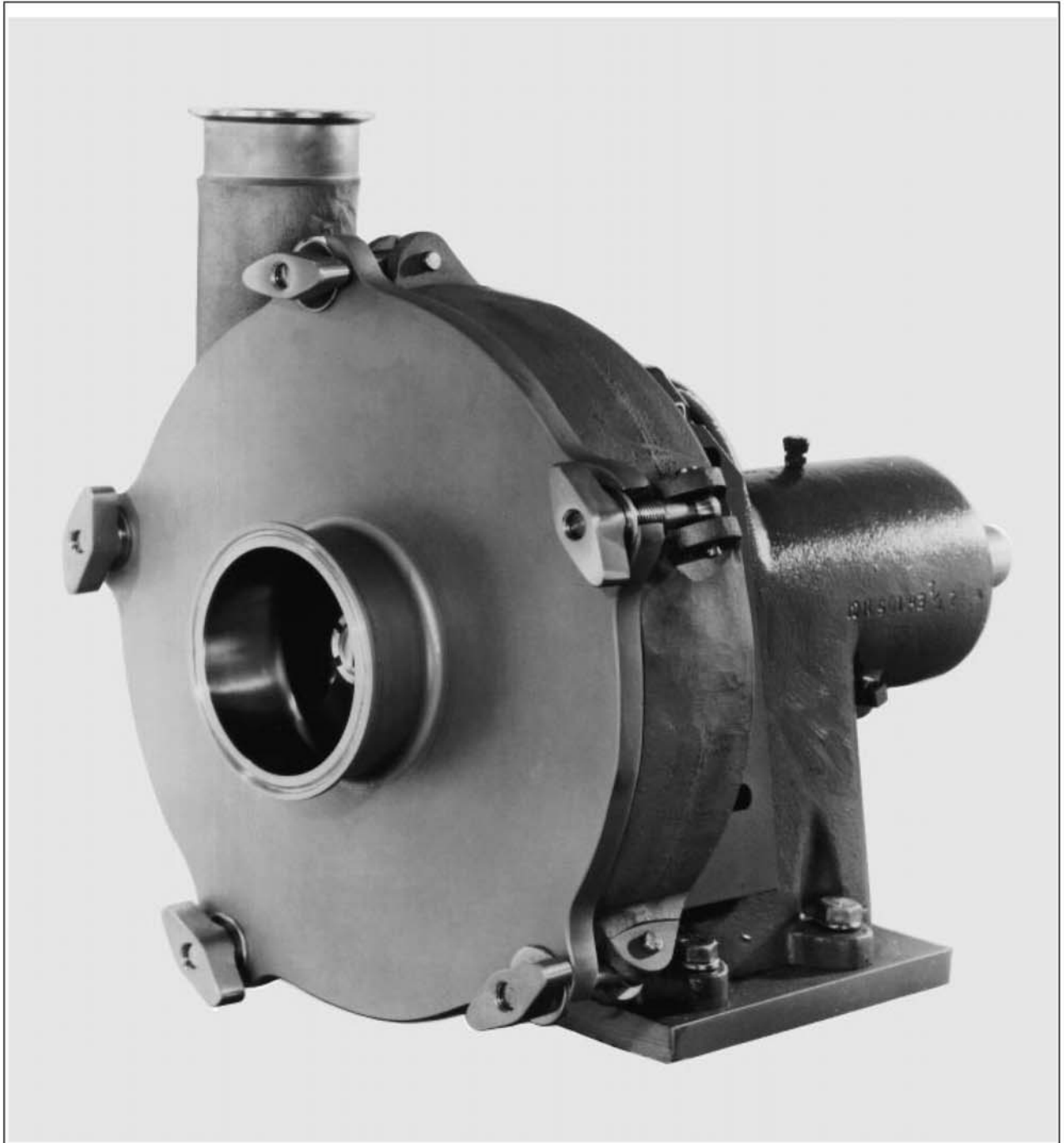


ZMT 3EH and 4EH EH Series Centrifugal



1010 Shaw Road, Stockton, CA 95215 • (209) 547-1965 • FAX (209) 464-8140

Out of the box thinking for better performance.

Pumps you can depend on to meet your special pumping requirements.

These high capacity, low shear pumps are available in three models with five different seals, and your choice of Tri-Clamp®, Bevel Seat or Flanged Connections.

The ZMTEH Series base-mounted centrifugal pumps have been designed and built to give years of trouble-free, dependable service. All wetted parts are cast type 316L SS which provides maximum corrosion resistance. EH casing and front cover are furnished with polished ID finish providing a sanitary environment, and glass beaded OD as standard. In addition, the casing cover is held on by heavy duty bolts. This enables the pump to withstand stresses from misalignment or shock pressures in your system.

Our one-piece “bow-tie” impeller design is ideal for delicate products including latex, whole vegetables, protein slurries and enzymes. The impeller gently scoops your product through the pump instead of beating it. This means less foaming and no compromises with product integrity.

The impeller is securely attached to the threaded shaft by means of a lock nut / cotter pin retainer design. However, when necessary, the impeller can be easily removed without the use of special tools, making any cleaning almost effortless.

Seal Selection

Your choice of five different seal types to meet your application.

Seal #D - Carbon Rotary

The Type D seal utilizes the hydraulic pressure developed by the pump to achieve the sealing action. This process or product pressure is evenly exerted against an “O” ring contained in a groove in the seal ring. The pressure forces the “O” ring against the face of the collar, providing a static seal, eliminating product leakage along the shaft.

Typical applications include: dairy products, cream style corn, tomatoes, beverages, etc. Also applicable for acid cleaning solutions and detergents.

Seal #E - Water Cooled Rotary

The Type E seal is fully contained within a stuffing box. Its double end design permits the sealant to be controlled to the drain. This seal uses the same hydraulic balance as the Type D seal described above.

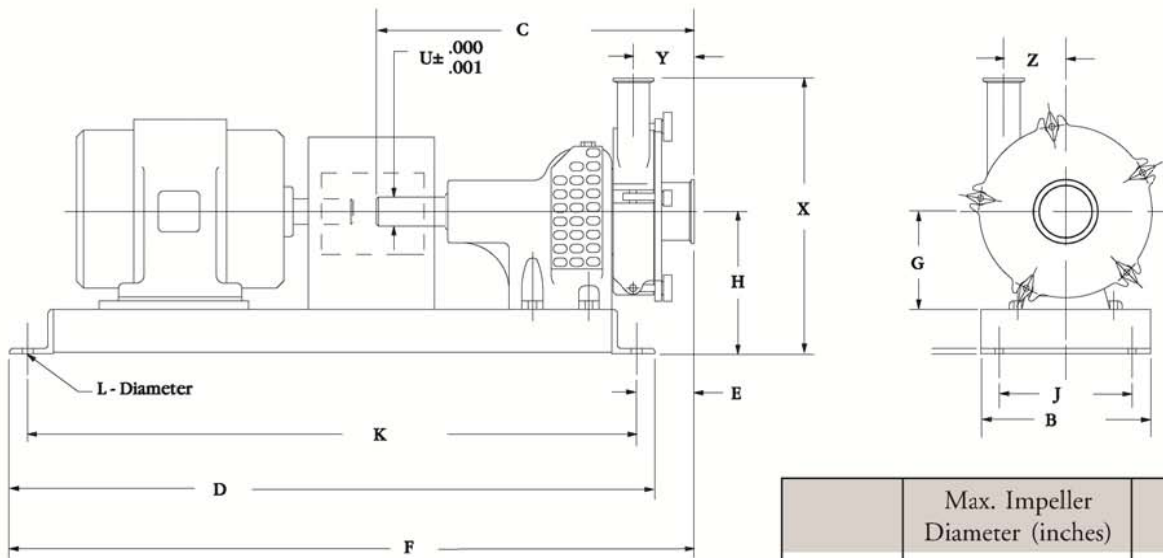
Ideal for slurries, heavy duty vacuum applications (to 28" Hg), tacky products or products at temperatures up to and exceeding 212°F.

See us at
www.zmtech.com

Dimensions

Dimensions are approximate and for guidance only. On applications where exact dimensions are required, request a certified print from ZMt, Inc. Keyslot Information: Model 3EH - "B" Woodruff Key $\frac{5}{16}$ " wide. Model 4EH - "C" Woodruff Key $\frac{3}{8}$ " wide.

- ❶ Tri-Clamp® Connections ❷ Threaded Bevel Seat Connections
- ❸ A.S.A. 150# Raised Face Flanged Connections.



	Max. Impeller Diameter (inches)	Max. Capacity (at 1750 rpm)
3EH	11 1/4	to 145' Hd, 600 gpm
4EH	13 9/16	to 194' Hd, 1000 gpm

	3EH				4EH					
	254T	213T	254T	284T	324T	254T	284T	324T	326T	364T
E ^❶	2 7/8	3 5/32	3 17/32	3 17/32	3 11/32	4 3/8	4 3/8	4 3/8	4 3/8	4 3/8
E ^❷	2 7/8	3 5/32	3 17/32	3 17/32	3 11/32	4 5/16	4 5/16	4 5/16	4 5/16	4 5/16
E ^❸	3 13/16	4 3/32	4 15/32	4 15/32	4 9/32	4 1/4	4 1/4	4 1/4	4 1/4	4 1/4
F ^❶	43 5/8	41 29/32	46 9/32	46 9/32	52 9/32	50 5/16	54 5/16	54 5/16	54 5/16	64 5/16
F ^❷	43 5/8	41 29/32	46 9/32	46 9/32	52 9/32	50 1/4	54 1/4	54 1/4	54 1/4	64 1/4
F ^❸	44 9/16	42 27/32	47 7/32	47 7/32	53 7/32	50 3/16	54 3/16	54 3/16	54 3/16	64 3/16
H	9 1/4	9 1/8	10 1/4	10	12	14	14	14	14	13
J	12 1/2	11 1/2	14	13	15	14	18	18	18	20
K	39 1/2	37 1/2	41 1/2	41 1/2	47 7/8	44 7/8	48 7/8	48 7/8	48 7/8	58 7/8
L	3/4	3/4	1 1/16	3/4	7/8	7/8	7/8	7/8	7/8	7/8
B	15 1/4	15 1/4	16 3/4	16 1/4	17 3/4	16 3/4	20 3/4	20 3/4	20 3/4	23 3/4
D	42	40	44	44	50	47	51	51	51	61
G	6 1/4	6 1/8	6 1/4	7	8	9	9	9	9	9

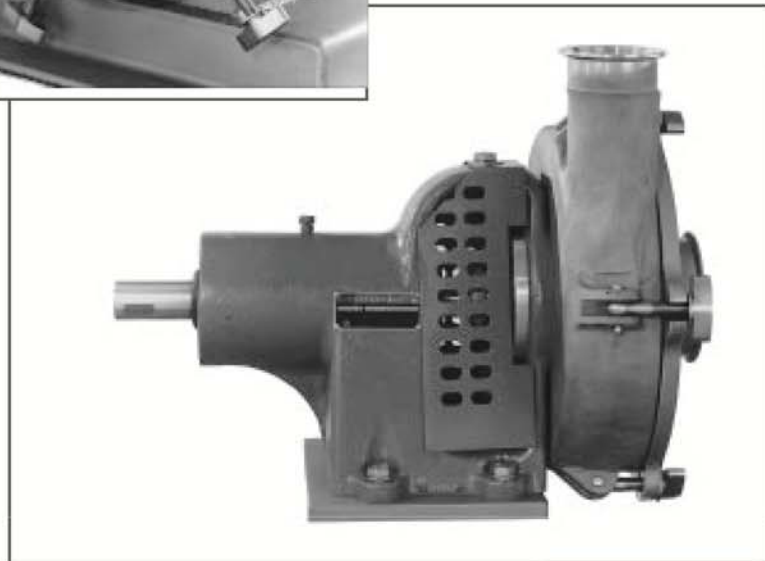
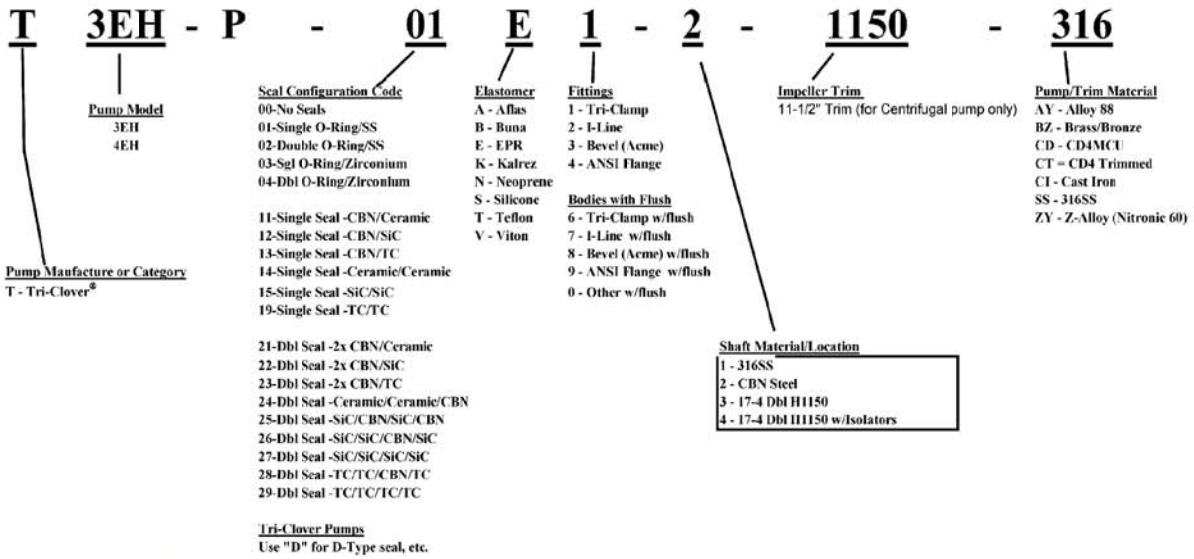
Inlet	Outlet	C ^❶	C ^❷	C ^❸	Y ^❶	Y ^❷	Y ^❸	X ^❶	X ^❷	X ^❸	Z	U	
3EH	4	3	20 11/32	20 11/32	21 7/32	3 27/32	3 27/32	4 23/32	9 1/4	9 1/4	10 3/16	4 17/32	1 3/8
4EH	6	4	25 11/32	25 9/32	25 7/32	4 29/32	4 27/32	4 25/32	10 7/8	10 13/32	10 3/4	5 1/4	1 11/16



Ordering Information

A sample part number for a ZMT EH Centrifugal Pump is shown below. The model describes the pump only. The base, motor, coupling and coupling guard, etc. must be specified separately.

New Pumps - PART NUMBER SYSTEM



See us at
www.zmtech.com