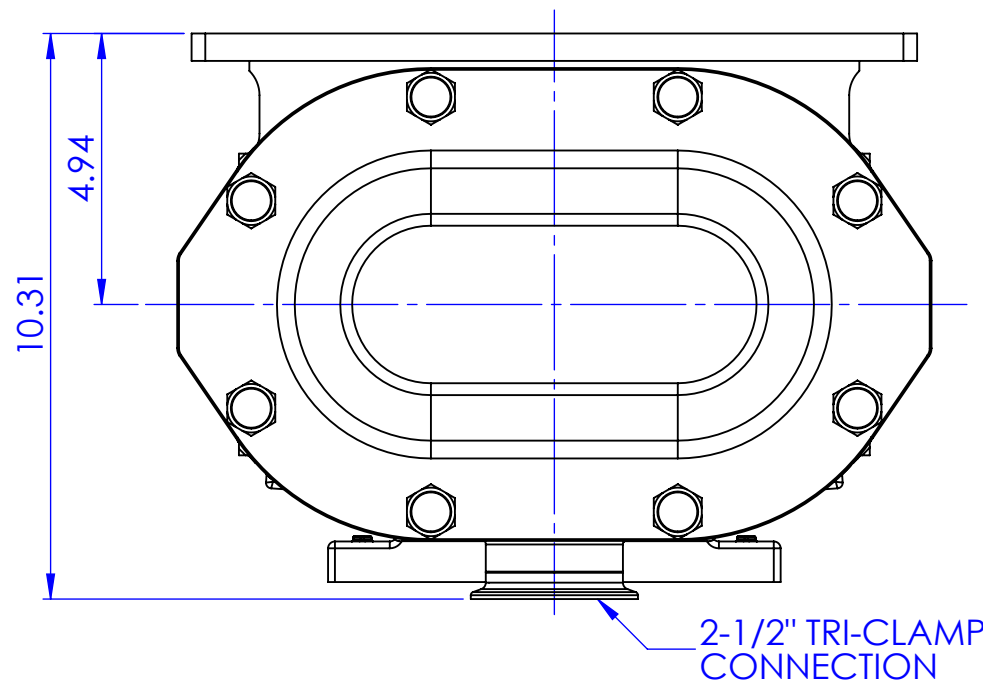
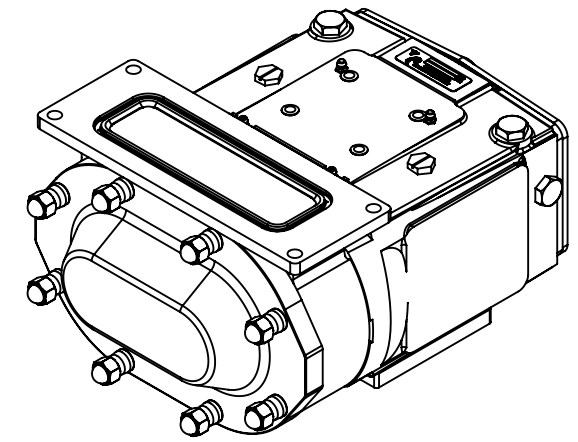


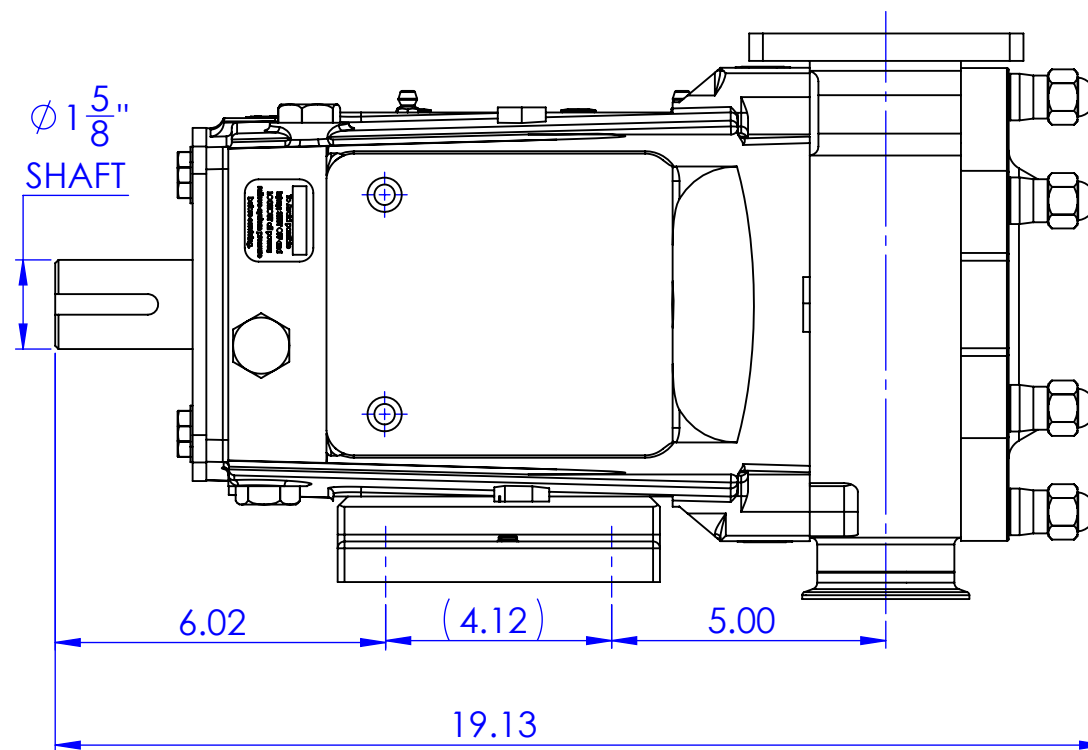
ISOLATED VIEW OF RECTANGULAR FLANGE

4X ϕ 0.53 HOLES

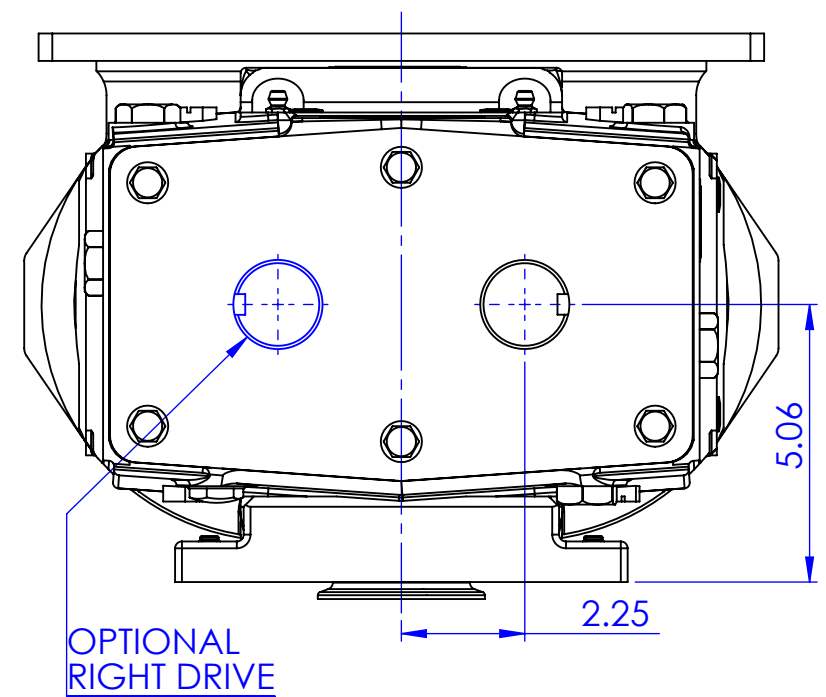
R0.47



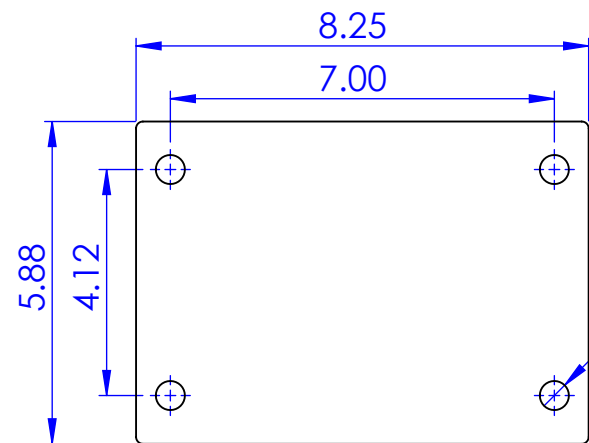
2-1/2" TRI-CLAMP CONNECTION



ϕ 1 5/8" SHAFT



OPTIONAL RIGHT DRIVE



ISOLATED VIEW OF FOOT HOLE PATTERN

4X ϕ 0.53 HOLES

NOTES:
CUSTOMER DRAWING, FOR REFERENCE ONLY

Ampco Pumps Company

2045 West Mill Road Glendale, WI 53209

CUSTOMER DRAWING

DRAWN BY:
DAN COFFEY

DATE:
12/23/2015

DESCRIPTION:
ZP2/ZP3-064 (RECTANGULAR FLANGE)

DWG #:
ZP2-064 (Left Drive)

SCALE:
1:5

REVISION:
B

REV.	DATE	DESCRIPTION	BY
B	8/19/2016	SHAFT DIAMETER ADDED	DJF
A	12/23/2015	DRAWING CREATED	DMC
		REVISIONS	