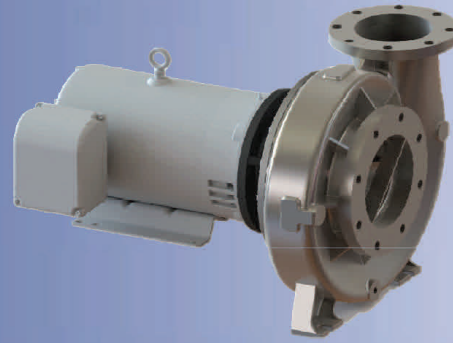
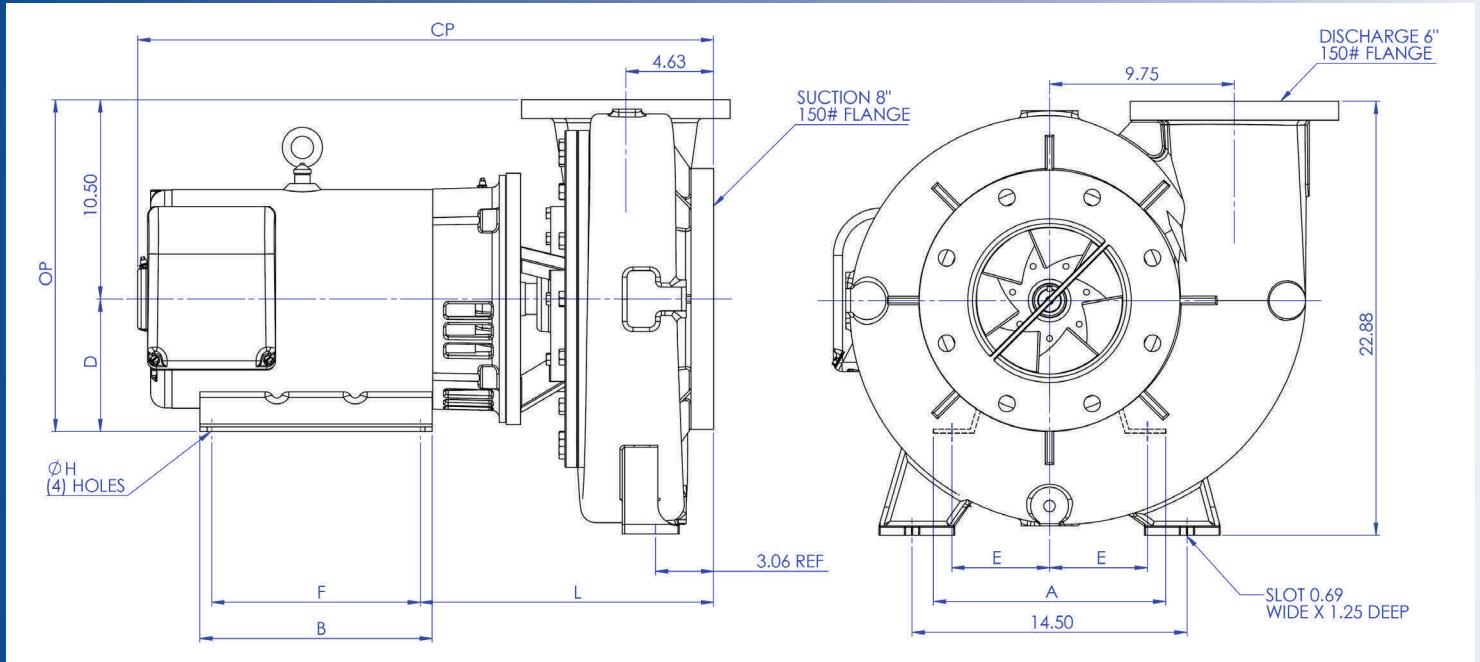


# Ampco Centrifugal Pumps



## DATA SHEET

### MODEL ZCH2 8 X 6M



NEMA JM MOTOR			DIMENSIONS IN INCHES (For Reference Only)									APPROX WEIGHT (lbs)
HP	RPM	FRAME	A (typ)	B (typ)	D	E	F	H	L	CP	OP	
20	1750	256JM	11-1/2	11-1/2	6-1/4	5	10	0.53	15-11/16	30-1/2	16-3/4	622
25	1750	284JM	12-1/4	12-1/4	7	5-1/2	11	0.57	15-1/2	30-3/8	17-1/2	662
30	1750	286JM	12-1/4	12-1/4	7	5-1/2	11	0.57	15-1/2	31-7/8	17-1/2	682
40	1750	324JM	14-1/2	14	8	6-1/4	12	0.66	16-3/16	36-1/16	18-1/2	872
50	1750	326JM	14-1/4	13-3/4	8	6-1/4	12	0.69	16-3-16	32-7/8	18-1/2	782
60	1750	364JM	17	15	9	7	12-1/4	0.69	17-1/16	38-3/4	19-1/2	Contact Ampco
75	1750	365JM	17	15	9	7	12-1/4	0.69	17-1/16	38-3/4	19-1/2	Contact Ampco
100	1750	405TCZ	19	16	10	8	13-3/4	0.81	17-13/16	42-1/4	20-1/2	Contact Ampco

## MATERIAL SPECIFICATIONS

PART NAME	DUPLEX 2205
Casing, Cover, & Impeller	Duplex 2205
Wear Rings	Duplex 2205
Motor Shaft	Steel
Shaft Sleeve	Duplex 2205
Adapter	Cast Iron