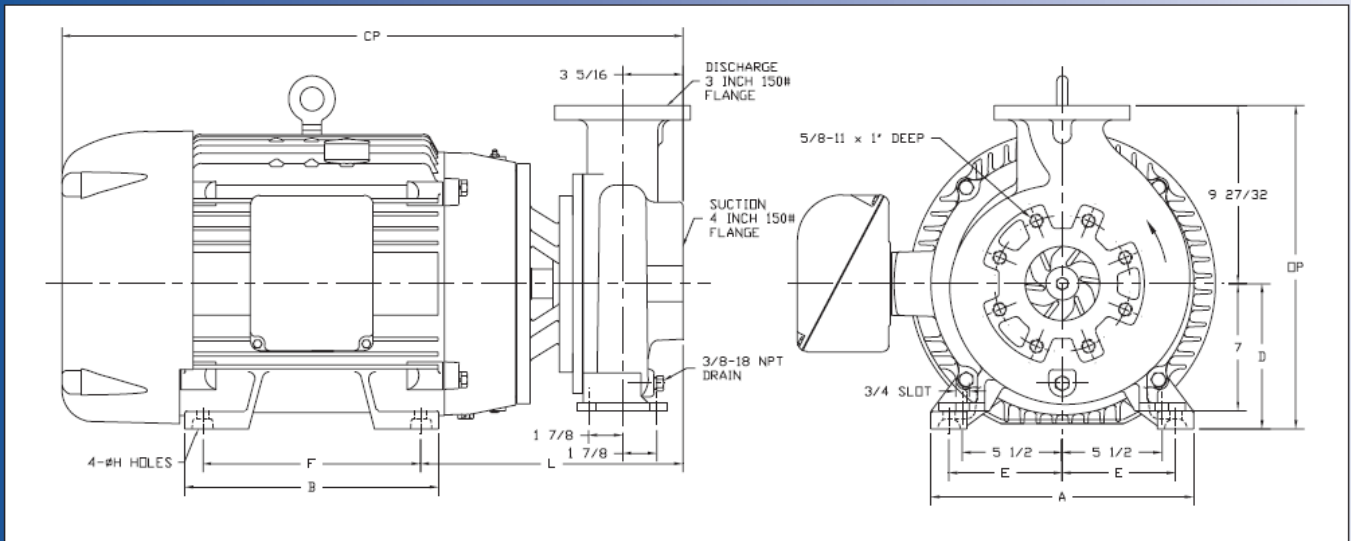
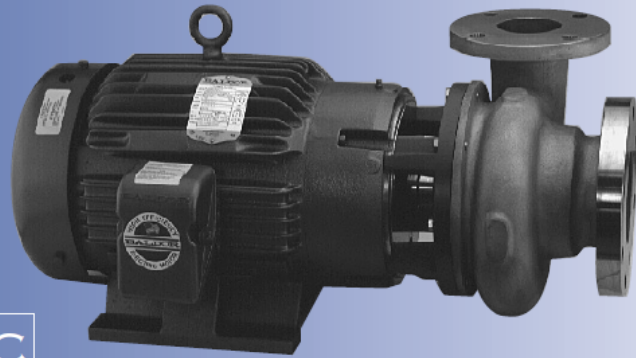


Ampco Centrifugal Pumps

DATA SHEET

MODEL ZC2/ZCH2 4X3C

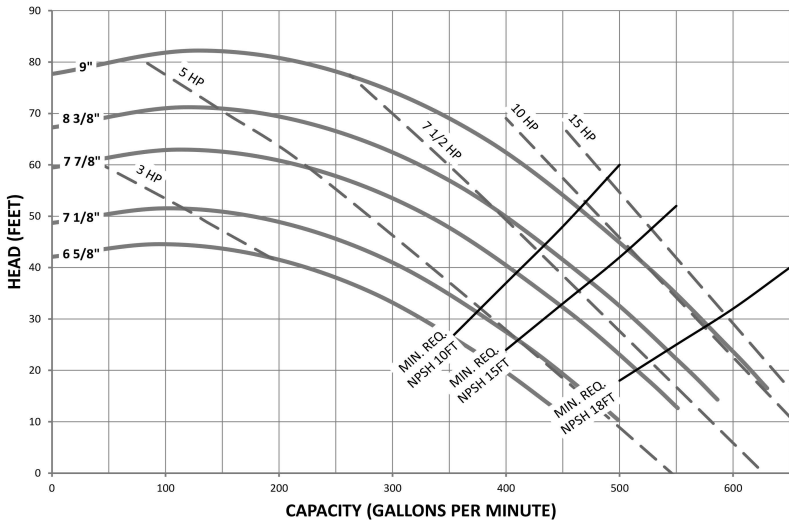


	TEFC MOTOR			DIMENSIONS IN INCHES (For Reference Only)									APPROX. WEIGHT (LBS)
	HP	RPM	FRAME	A (max)	B (max)	D	E	F	H	L	CP	OP	
ZC2	3	1750	182JM	8-5/8	6-1/2	4-1/2	3-3/4	4-1/2	13/32	11-15/32	20-17/32	14-11/32	204
ZC2	5	1750	184JM	8-5/8	6-1/2	4-1/2	3-3/4	5-1/2	13/32	11-15/32	22-1/16	14-11/32	228
ZC2	7-1/2	1750	213JM	9-1/2	8	5-1/4	4-1/4	5-1/2	13/32	12-15/32	23-17/32	15-3/32	279
ZC2	10	1750	215JM	9-1/2	8	5-1/4	4-1/4	7	13/32	12-15/32	24-21/32	15-3/32	293
ZC2	15	1750	254JM	11-1/2	9-3/4	6-1/4	5	8-1/4	17/32	13-23/32	26-13/16	16-3/32	456
ZCH2	30	3500	286JM	12-3/4	12-3/4	7	5-1/2	11	9/16	13-31/32	32-25/32	16-27/32	685
ZCH2	40	3500	324JM	14-1/2	14	8	6-1/4	10-1/2	21/32	14-15/32	34-1/4	17-27/32	780
ZCH2	50	3500	326JM	14-1/2	14	8	6-1/4	12	21/32	14-15/32	34-1/4	17-27/32	789

MATERIAL SPECIFICATIONS

PART NAME	NICKEL ALUMINUM BRONZE	STAINLESS STEEL	DUPLEX 2205
Casing, Cover, & Impeller	AMPCO® 483	316 Stainless	Duplex 2205
Wear Ring	AMPCO® 18	316 Stainless	Duplex 2205
Motor Shaft	Steel	Steel	Steel
Shaft Sleeve	AMPCO® 18	316 Stainless	Duplex 2205
Adapter	Cast Iron	Cast Iron	Cast Iron

AMPCO PUMPS COMPANY, INC.
Z-SERIES 4x3C
1750 RPM



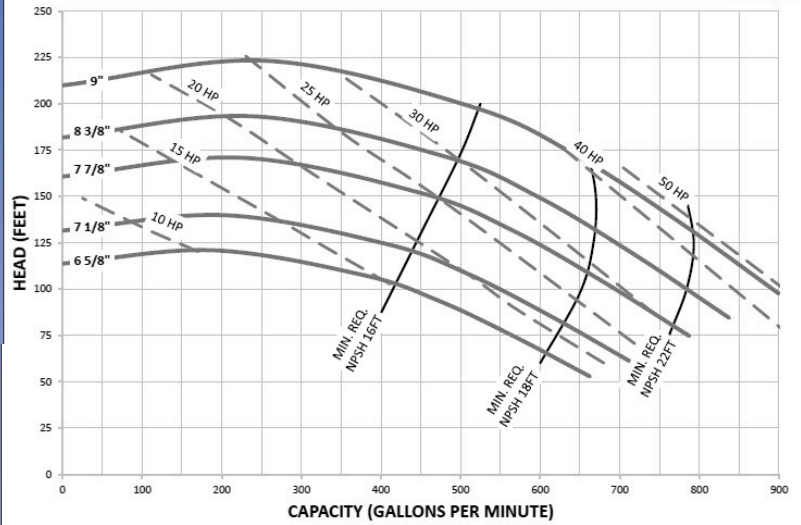
Ampco Centrifugal Pumps

MODEL ZC2/ZCH2 4X3C

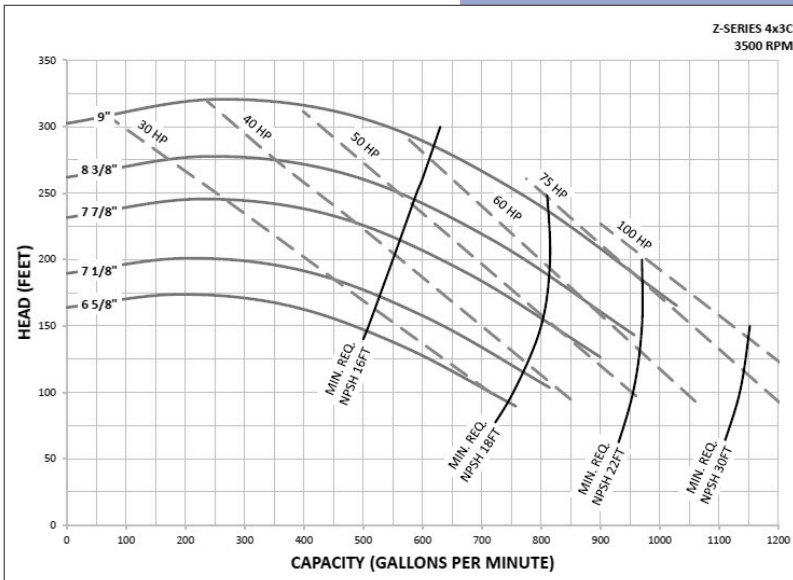
Curves show approximate characteristics based on clear 68° water. Rated point is guaranteed.

Heavy-duty Z Series pumps have maximum wall thickness and 150 lb. flat faced flanged connections. Seal options include Type 21, Type 1 and Type 9 with choice of sealing materials.

Z-SERIES 4x3C
2900 RPM



Z-SERIES 4x3C
3500 RPM



Ampco Pumps
Company

2045 W Mill Rd.
Glendale, WI 53209

Phone (414) 643.1852
WWW.AMPCOPUMPS.COM