

# **Z**ero **M**aintenance™ **Seals**

*Products For Today's Budget and Today's Environment*

**Think** **Outside the Box**

**No Stuffing Box** |

**Better Lubrication** |

**Longer Life** |

*Simple* |



**ZAD Double Cartridge Seal**



See us at  
[www.zmtech.com](http://www.zmtech.com)

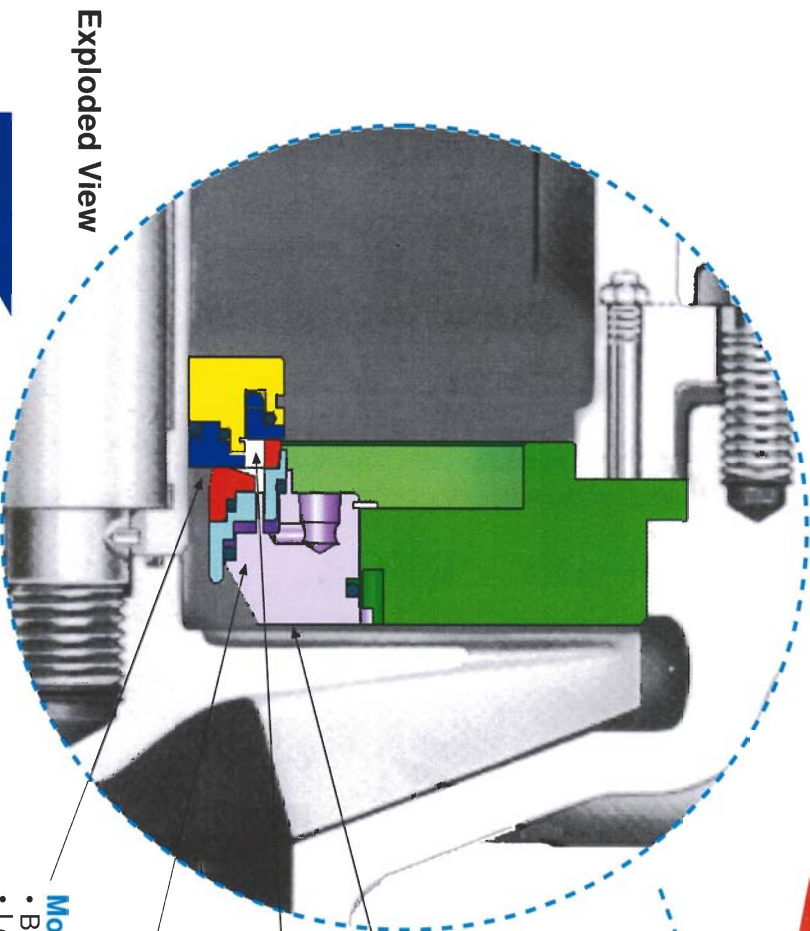
2250 Stewart St. #6, Stockton, CA 95205 • (209) 547-1965 • FAX (209) 464-8140

**Out of the box thinking for better performance.**

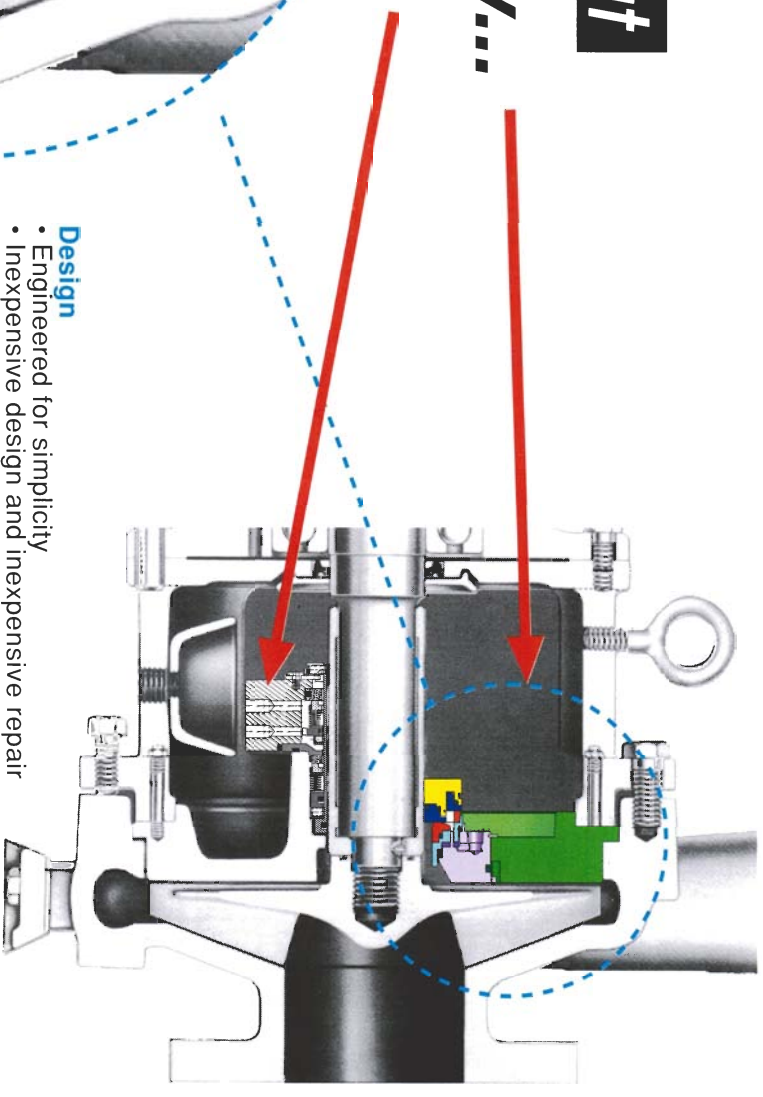
# Turning Sealing Solutions **Inside Out**

## The Better Way...

...The Old Way



Exploded View



- Design**
- Engineered for simplicity
  - Inexpensive design and inexpensive repair

- Front Installed Cartridge Seal**
- Eliminates stuffing box removal
  - Quicker installation and faster turnaround

- Concentric Seal**
- Reduces water flush by 75%
  - More runout than the competition
  - Forced water circulation

- Self-Cleaning Taper**
- Eliminates most premature failures
  - Remains clean of debris

- More room around seal components**
- Better lubrication & cooling
  - Longer seal life than any competition

Standard Cartridge Seal	ZMT Cartridge Seal	Benefits
Forced to fit in a small space	Ample room for lubrication and cooling	Longer seal life
Disassemble entire pump for seal removal	Simplified seal removal from pump	Quicker installation and faster turnaround
Expensive and complicated design	Simple and inexpensive design	Save money on seal repair



ZMT TECHNOLOGIES  
 (209) 547-1965  
 FAX (209) 464-8140