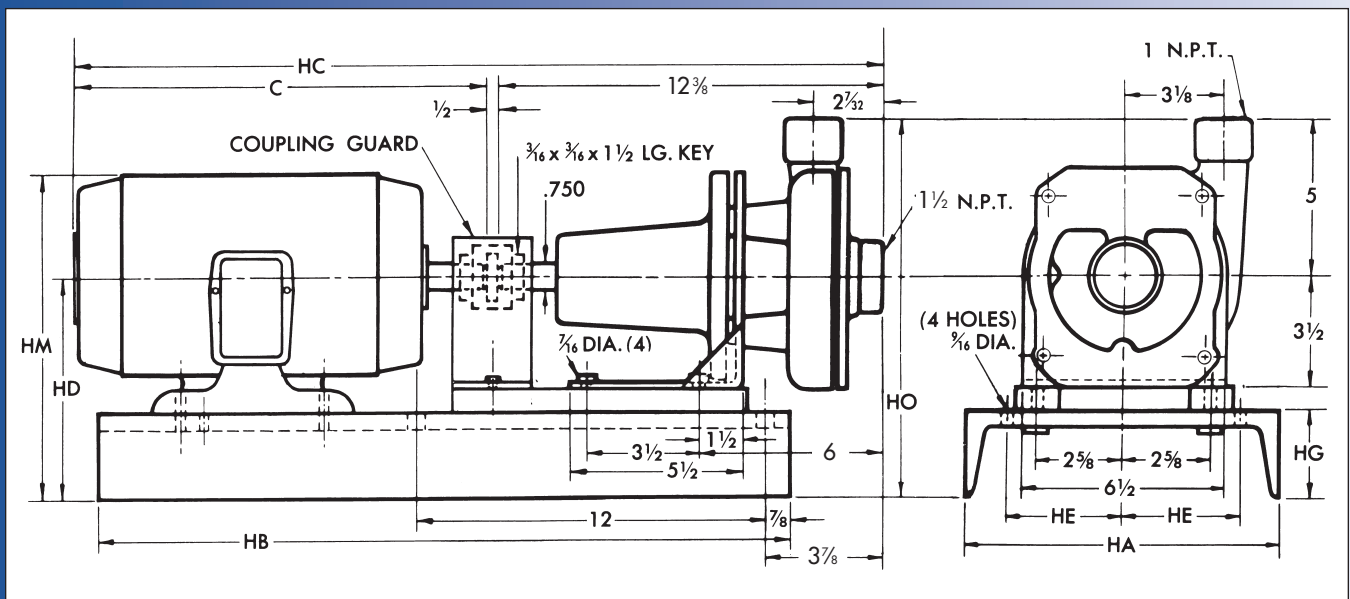
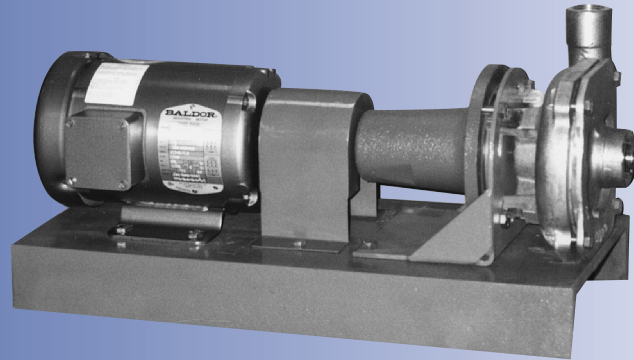


Ampco Centrifugal Pumps

DATA SHEET

MODEL KP 1 $\frac{1}{2}$ X 1



			DIMENSIONS IN INCHES (For Reference Only)								
TYPE	PUMP SIZE	FRAME SIZE	C	HA	HB	HC	HD	HE	HG	HM	HO
KP2	1-1/2 x 1	48	11-3/4	8	20	24-1/2	5-3/8	2-3/4	1-7/8	8-1/2	10-3/8
KP2	1-1/2 x 1	56 & 56H	12-1/2	8	20	25-1/4	5-3/8	2-3/4	1-7/8	8-21/32	10-3/8
KP2	1-1/2 x 1	56HZ, 143T, 145T	13-1/16	8	20	25-13/16	5-3/8	2-3/4	1-7/8	9-9/32	10-3/8
KP2	1-1/2 x 1	182T & 184T	15-3/8	10	22	28-1/8	7-1/8	3-3/4	2-5/8	11-3/4	12-1/8

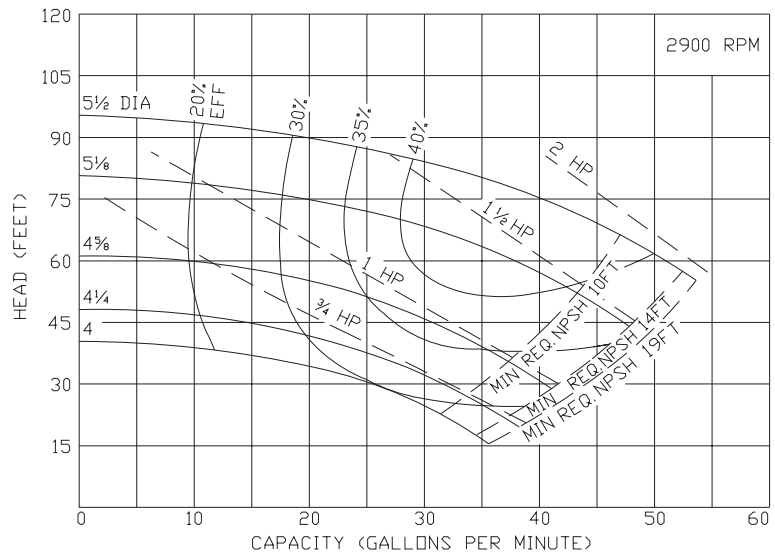
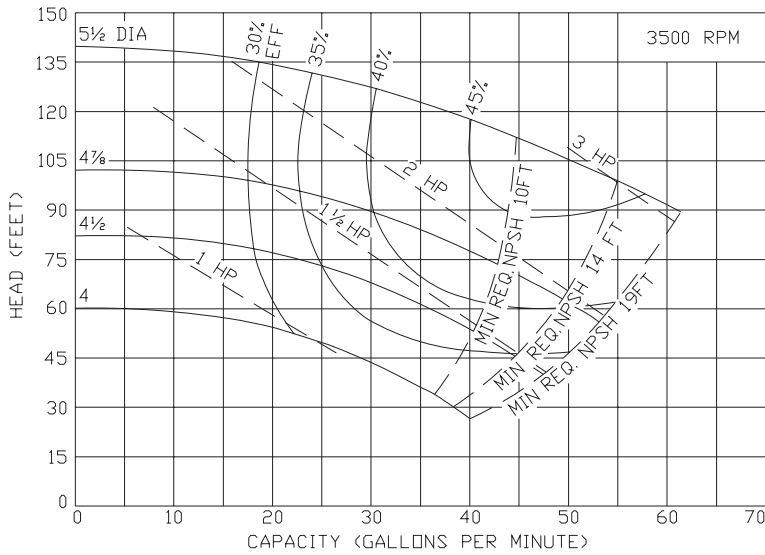
MATERIAL SPECIFICATIONS

PART NAME	NICKEL ALUMINUM BRONZE	STAINLESS STEEL
Casing	AMPCO® 483	316 Stainless
Cover	AMPCO® 483	316 Stainless
Impeller	AMPCO® 483	316 Stainless
Shaft	Steel	Steel
Frame	Cast Iron	Cast Iron

Ampco Centrifugal Pumps

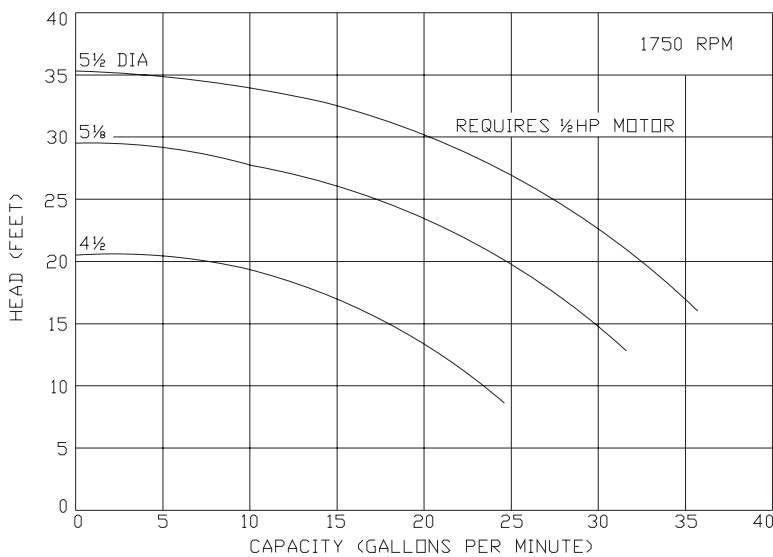
MODEL KP 1 1/2 X 1

Curves show approximate characteristics based on clear 68° water. Rated point is guaranteed.



Standard K Series pumps have threaded NPT connections.

Seal options include Type 21 and Type 9 with choice of sealing materials.



Ampco Pumps Company

4424 West Mitchell Street
 Milwaukee, Wisconsin 53214
 PHONE (414) 643-1852
 FAX (414) 643-4452