

Not Binding Operating and Assembly Instruction Progressive Cavity Pump

This operating and assembly instruction is only
for general information.

Type
BTHE FEFGÁ] Á] ÁHEFG
with moveable stuffing part

1	Safety.....	1
1.1	General notes	
1.2	Safety and warning notes	
1.2.1	Warning notes	
1.2.2	Danger symbols	
1.2.3	Information symbols	
1.3	Dangers that can be caused by the machine	
1.4	Qualification of the personnel	
1.5	Authorised people	
1.5.1	Tasks and information for the owner/operators	
1.5.2	Safety notes for maintenance, inspection and assembly work	
1.6	Personal protective equipment	
1.7	Safety and protective devices	
1.8	Foreseeable misuse	
1.9	Designated use	
1.10	Warranty	
1.11	Safety clearance	5
1.11.1	General information	
1.11.2	Safety clearance application area	
1.11.3	Definition	
1.11.4	Values for safety clearance	
1.11.5	Reaching across protective constructions	
1.11.6	Reaching around / through openings	
1.12	Separating protective device	
1.12.1	Pump with hopper extension (AST), technical service shutter (KIS) and safety switch	
1.12.2	Pumps with cleanout	
1.12.3	Pump with lid	
1.13	Filling level hopper	
2	Description of the pump.....	9
2.1	General description	
2.2	Mode of action and pumping principle of the pump	
2.3	Constructive design	
3	Technical Data.....	10

4	Transport, Intermediate storage, Disposal.....	12
4.1	Safety	
4.2	Transport	
4.2.1	Dimensions, weight and centre of gravity	
4.2.2	Symbol	
4.2.3	Lashing points (AP) for lifting devices	
4.2.4	Unpacking the machine	
4.3	Temporary storage/corrosion protection	
4.4	Disposal	
5	Assembly / Installation.....	15
5.1	Mounting tools / lifting gear	
5.2	Space requirement	
5.2.1	Dimension for stator replacement	
5.3	Assembly of the complete mounted pump	
5.4	Power supply of the pump	
5.5	Pipelines	
5.5.1	Suction and pressure connection	
5.5.2	Pipeline dimensions	
5.5.3	Residue-free pipelines	
5.5.4	Tension-free assembly	
6	Commissioning / De-Commissioning.....	17
6.1	Commissioning report.....	17
6.2	Measures before commissioning.....	18
6.2.1	Checking pipelines	
6.2.2	Protective devices on the pump	
6.2.3	Electrical / hydraulic connections	
6.2.4	Direction of rotation check	
6.2.5	Additional devices - optional	
6.3	Initial commissioning/repeated commissioning	
6.3.1	Avoiding dry running of the pump	
6.3.2	Pressure in the suction and pressure connection	
6.4	De-commissioning	
6.4.1	Switching off the pump	
6.4.2	Emptying the pump	
6.4.3	Dismantling the pump	
6.4.4	Preservation/storage of the pump	

7	Maintenance	23
	7.1 Preventative measures	
	7.1.1 Pump down-time	
	7.2 Lubrication	
	7.2.1 Joint grease	
	7.3 Inspection	
8	Malfunctions, causes, rectification	25
9	Pump Dismantling / Reassembly	27
	9.1 Pump Dismantling / Reassembly.....	27
	9.1.1 Prepare the pump for dismantling	
	9.1.2 Dismantling	
	9.1.3 Reassembly	
	9.2 Rotating unit – individual parts	33
	9.2.1 Dismantling	
	9.2.2 Rotating unit (RTE) - prepare individual parts for reassembly	
	9.2.3 Rotating unit (RTE) - individual parts - reassembly	
	9.3 Holding band - assembly.....	38
	9.3.1 Prepare the holding band	
	9.3.2 Check the holding band	
	9.3.3 Assembling the holding band	
	9.3.4 Correct tension for the holding band (HBD)	
	9.3.5 Cant up the holding band	
	9.3.6 Shear the holding band	
	9.3.7 Check the holding band after assembly	
	9.4 Shaft seal	41
	9.4.1 Safety	
	9.4.2 Application conditions and material version	
10	Spare parts	42
	10.1 Order template for spare parts.....	42
11	Special tools	43
12	Related documents	44
13	Appendix	45
	13.1 Manufacturer's documents / suppliers	

Subsidiaries

1.1 General notes

- Always keep the operating and maintenance instructions close by the machine.
- If problems cannot be solved with reference to the operating and maintenance instructions, please contact the manufacturer.

Observe the following points in addition to these operating and maintenance instructions:




- Prohibition, warning and mandatory signs, warning notes on the machine
- Relevant laws and ordinances
- Statutory provisions on accident prevention
- Corresponding harmonised standards and regulations

1.2 Safety and warning notes

- Comply with safety and warning notes for safe and efficient use of the product.

Signal words for specific dangers and (possible) consequences are explained below. These are supplemented by symbols (pictograms) if necessary.

1.2.1 Warning notes

NOTICE
<p>Caution for machine! Possible danger. Material damage can occur.</p>
 CAUTION
<p>Caution for people and machine! Possible danger. Minor injury or damage to property can occur.</p>
 WARNING
<p>Warning for people! Possible danger. Death or serious injury can occur.</p>
 DANGER
<p>Danger for people! Possible danger. Immediate risk of sever or fatal injury.</p>

1.2.2 Danger symbols



Warning:
Suspended load.



Warning:
Dangerous electrical
voltage.

1.2.3 Information symbols



Ensure environmental protection. Wear eye protection.

- Instruction to act/take measures
- List item

1.3 Dangers that can be caused by the machine

seepex machines are built in accordance with the state of the art.

Nevertheless, there is a residual risk, because the machine works with:

- Mechanical movements that pose a danger
- Electrical voltages and currents

We have used design measures and applied safety technology to minimise the risk to the health of people posed by this danger.

1.4 Qualification of the personnel

This handbook is intended for:

- Owner
- Operators
- Setters
- Maintenance personnel

1.5 Authorised people

People authorised to undertake operation, set up and maintenance are instructed and trained specialists employed by the owner/manufactururer.

Detailed technical knowledge is essential for performing any work on the machine.



The owner is responsible for:

- Personnel training
- Compliance with safety regulations
- Compliance with operating and maintenance instructions

The operator must:

- Have received instruction
- Read and understood the relevant parts of the operating instructions before starting work
- Know the safety devices and regulations

1.5.1 Tasks and information for the owner/operators

- Regularly check and maintain the machine, replacing all parts in good time which no longer guarantee safe operation.
- It is essential to comply with the procedure described in the operating instructions for shutting down the machine.
- On completion of work, attach all safety and protective devices and make sure they are functioning.

1.5.2 Safety notes for maintenance, inspection and assembly work

- Do not work on the machine or system unless it is stationary and depressurised.
- Switch off the master switch and pull out the power plug before starting work on live components.
- Comply with the procedure for shutting down the machine as described in the Shut-down chapter.
- Decontaminate (de-toxify) machines that are used for pumping media that can be harmful to health.
- Refer to the Initial start-up chapter before repeated start-up of the machine.

1.6 Personal protective equipment

- Wear personal protective equipment and/or additional equipment for your own safety.
- Avoid/limit risks by the use of collective technical protective equipment or by organisational measures at work.

1.7 Safety and protective devices

- Prior to start-up, bolt seepex machines onto a concrete foundation so as to ensure stability.
- Starting and stopping devices must be clearly recognisable. Take appropriate measures to avoid defects.
- No protective device is necessary for checking and/or setting the shaft seal.
- Hot surfaces are identified with a danger symbol on the machine.

1.8 Foreseeable misuse

Serious personal injury and damage to property can be caused by:

- Incorrect use
- Incorrect installation or operation of the machine
- Impermissible removal of necessary protective equipment

1.9 Designated use

- Only use seepex machines if they are in perfect condition and in compliance with the operating and maintenance instructions.
- Do not start up the machine unless the system in which the machine is installed is in accordance with the provisions of the applicable guidelines and statutory regulations.
- Equivalent sustained sound pressure level at workplaces of operating personnel C75 dB (A). Cavitation-free operation of the machine and screwed connection to concrete foundation are essential.
- seepex machines are components that are exclusively intended for pumping media in accordance with the technical data (→ chapter 3). Written approval must be obtained from the manufacturer before other media are pumped.
- Refer to the information on the type plate and the operating instructions for technical data (→ chapter 3), and comply with them.
- The operating instructions are assigned to the seepex machine based on the commission number.

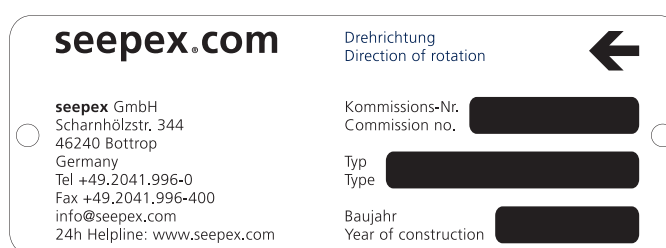


Fig. 1-1 Similar illustration

1.10 Warranty

- Warranty in accordance with our terms and conditions of delivery and order confirmation.
- It is a condition of the machine warranty that the machine must correspond to the listed operating instructions in accordance with the type plate/data sheet.
- All wearing parts are excluded from the warranty.
- These operating instructions are subject to copyright. Reproduction is not permitted and will be punished. Contravention will be pursued through the courts.

1.11 Safety clearances

1.11.1 General

- Open hopper pumps are not ready-to-run units in delivery condition, therefore they are supplied with a declaration by the manufacturer.
- The owner is responsible for appropriate protective devices/feeder hoppers in order to guarantee conformity of the system.

1.11.2 Applicability of the safety clearances

- Inadequate protection for certain dangers (e.g. radiation and substance emissions).
 - Additional or other measures necessary.
- Protection for those persons who are attempting to reach danger areas without additional help and under the conditions defined for various situations of reaching up, reaching under or reaching through.

1.11.3 Definition

1.11.3.1 Protective structure

- Use a physical barrier (e.g. guard, part of a machine) in order to limit movement of the body or a body part.

1.11.3.2 Safety clearance

- Use appropriate minimum clearance by means of protective structure in front of the danger area.

1.11.4 Values for safety clearances

1.11.4.1 Precondition

Safety clearances defined as follows:

- Protective structures and openings in them retain their shape and position.
- Measure safety clearances between limiting surfaces and the body or affected body part.
- Danger area can be reached with difficulty.
- The reference level is the level on which people normally stand, e.g. floor or working platform.
- Do not use any objects such as chairs, ladders to change the reference level.
- Do not use any objects such as rods or tools to extend the natural reach of upper extremities.

1.11.5 Reaching overprotective structures

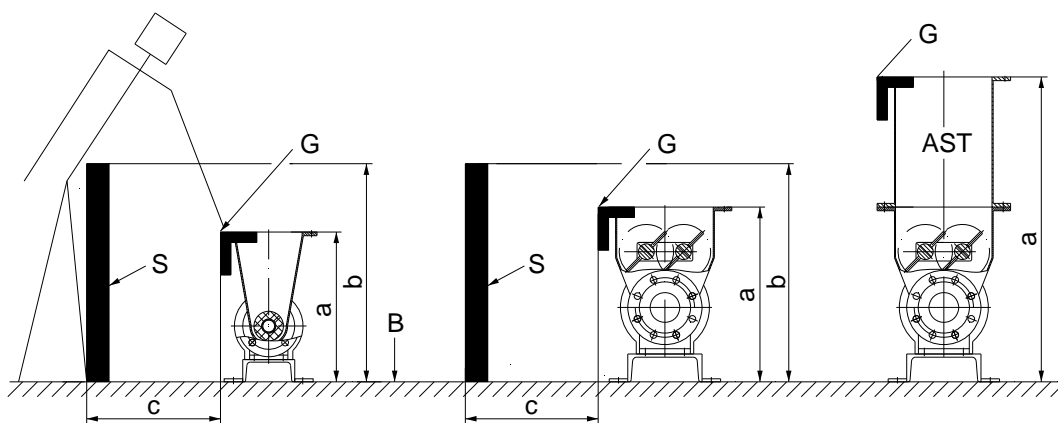
The following code letters are used

a = Height of the danger area

b = Height of the protective structure

c = Horizontal distance to the danger area

- If the danger area represents a severe risk, then the values in the table or other technical safety measures must be used.
- If the known values for a, b or c fall between two values in the table, use values that result in a higher level of safety.

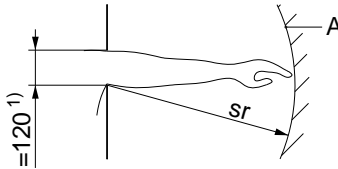
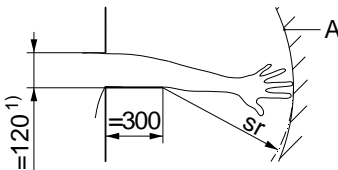
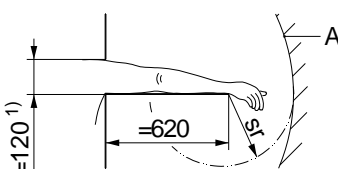
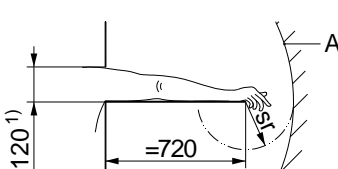


Height of the danger area a	Height of the protective structure b ¹⁾									
	1000	1200	1400 ³⁾	1600	1800	2000	2200	2400	2600	2700
2700 ²⁾	-	-	-	-	-	-	-	-	-	-
2600	900	800	700	600	600	500	400	300	100	-
2400	1100	1000	900	800	700	600	400	300	100	-
2200	1300	1200	1000	900	800	600	400	300	-	-
2000	1400	1300	1100	900	800	600	400	-	-	-
1800	1500	1400	1100	900	800	600	-	-	-	-
1600	1500	1400	1100	900	800	500	-	-	-	-
1400	1500	1400	1100	900	800	-	-	-	-	-
1200	1500	1400	1100	900	700	-	-	-	-	-
1000	1500	1400	1000	800	-	-	-	-	-	-
800	1500	1300	900	600	-	-	-	-	-	-
600	1400	1300	800	-	-	-	-	-	-	-
400	1400	1200	400	-	-	-	-	-	-	-
200	1200	900	-	-	-	-	-	-	-	-
0	1100	500	-	-	-	-	-	-	-	-

- 1) Protective structures less than 1000 mm in height are not included, because movement is not satisfactorily restricted.
- 2) If the danger area represents a minor risk, the height h of the danger area must be 2500 mm or more.
If the danger area represents a high risk, then
- either the height h of the danger area must be 2700 mm or more
 - or other technical safety measures must be used..
- 3) Protective structures below 1400 mm should not be used without additional technical safety measures. (Source: DIN EN ISO 13857)

1.11.6 Reaching around/reaching through openings

Danger in the working area of rotating shafts.

Limitation of movement	Safety clearance s_r	Figure
Only at shoulder and armpit	≥ 850	
Arm supported up to the elbow	≥ 550	
Arm supported up to the wrist	≥ 230	
Arm and hand supported up to the finger root	≥ 130	

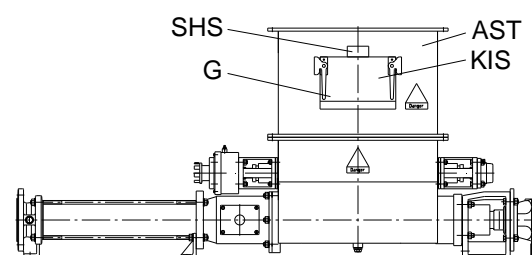
A: Movement area of the arm

1) Either diameter of a round opening, side of a square opening or width of a slot-shaped opening (source: DIN EN ISO 13857)

1.12 Guard

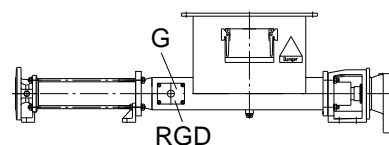
1.12.1 Pump with feeder hopper (AST), inspection hatch (KIS) with safety switch (SHS)

- Before start-up, integrate the safety switch into the electric control system so that the following components are switched off and prevented from reactivation when inspection hatch (KIS) is opened.
 - Bridge breaker driver
 - Pump drive
 - Other drive units projecting into the interior
- Switch off all media feeds in the feeder hopper immediately.
- Restart the system after closing inspection hatch (KIS).
- Press reset to switch on the components.



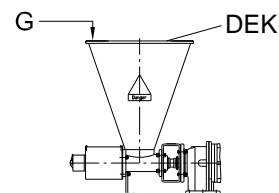
1.12.2 Pump with cleaning cover

- Before opening cleaning cover (RGD), switch off the pump drive and bridge breaker drive and prevent them from being switched back on.
- Start up the pump drive and bridge breaker drive after closing cleaning cover (RGD).



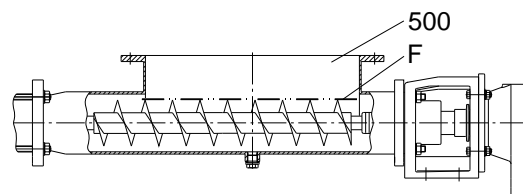
1.12.3 Pump with cover

- Open cover (DEK) for topping-up purposes, but first switch off the pump drive and secure it against being switched back on.
 - The owner may install a safety switch which is integrated in the electric control unit.
- Do not switch on the drive until after closing the cover.



1.13 Filling level hopper (500)

- Fill in the hopper (500) max. up to the top edge of the auger feed screw.
- Install alternative a level control (F).



2.1 General description

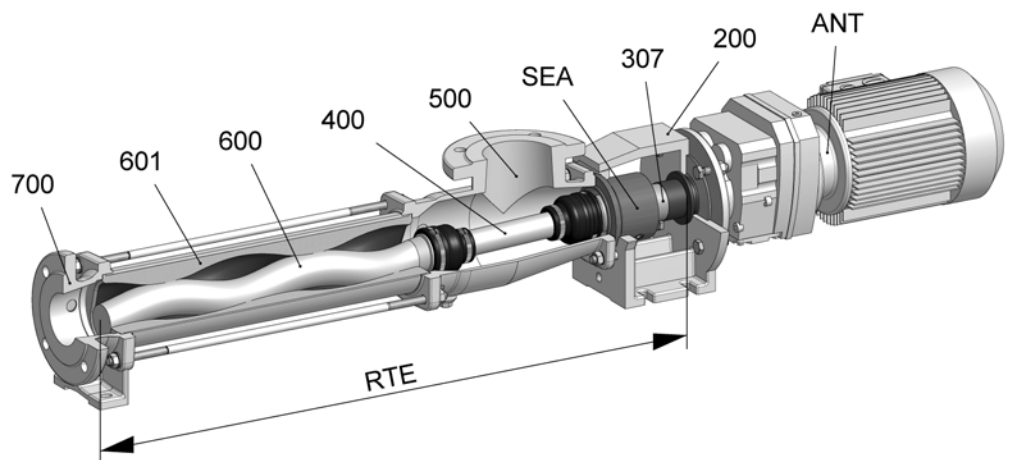
seepex pumps are members of the group of rotating displacement pumps.

- Characteristic features
 - Special configuration/arrangement of the rotor and stator pumping elements.
 - Motion sequence

2.2 Mode of action and pumping principle of the seepex pump

- Sealing bands are produced through geometric design/contact of both conveying elements.
- Sealing bands ensure a perfect fit between the suction and pressure side.
Result:
 - Increased pump suction.
 - Higher pressure build-up independent of speed possible.

2.3 Constructive design



No.	Designation
ANT	Drive
200	Lantern
307	Plug-in shaft
400	Coupling rod
SEA	Shaft seal
500	Suction casing
600	Rotor
RTE	Rotating unit
601	Stator
700	Pressure branch

3.1 Data sheet

3.2 Characteristic Curves

3.3 Declaration

- Data sheet, characteristic curves and declarations are commission specific documents and not part of this not binding operating and assembly instruction.

4.1 Safety

CAUTION
<p>Damage to property/injuries due to incorrect transport Slight injury or damage to property can occur</p> <ul style="list-style-type: none"> ➤ Comply with the safety notes and transport notes on the packaging. ➤ Use suitable means of transport, lifting devices and tools. ➤ Use protective equipment.

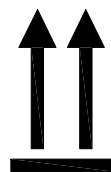
4.2 Transport

4.2.1 Dimensions, weights and center of gravity

- Note the dimensional drawing (→ chapter 5.6).

4.2.2 Symbols

- Meaning of symbol



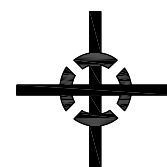
Top



Fragile
item



Against moisture
protect



Centre of gravity

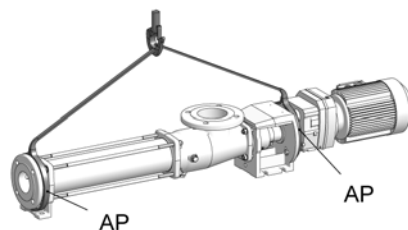


Lashing points

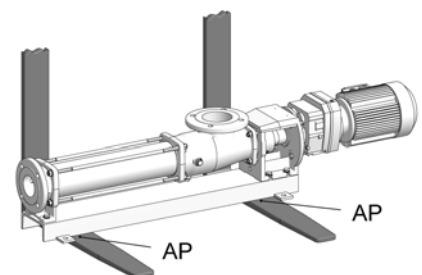
4.2.3 Sling points (AP) for lifting devices

WARNING
<div style="display: flex; align-items: center;"> <div> <p>Warning of suspended load. Death or serious injury can occur.</p> <ul style="list-style-type: none"> ➤ Use the lashing points (AP) for lifting devices. ➤ Note the centre of gravity (→ dimensional drawing, chapter 5.6). </div> </div>

Lifting machine



Industrial trucks



4.2.4 Unpacking the machine


- Comply with the symbols and notices on the packaging.
- Remove the screwed connection between the machine and packaging.
- Remove the machine with a lifting machine/industrial truck.

4.3 Temporary storage/Corrosion protection


- All seepex machines have corrosion protection applied as standard prior to transport.

<i>NOTICE</i>	
	<p>Damage to property if corrosion protection is missing Property damage can occur due to corrosion.</p> <ul style="list-style-type: none">➤ Temporary storage must be in a dry, enclosed, frost-free room in order to provide protection against ambient influences.➤ Contact seepex regarding the necessary corrosion protection for temporary storage.

4.4 Disposal

	<i>NOTICE</i>
	<p>Environmental protection Material damage can occur.</p> <ul style="list-style-type: none">➤ Drain the pumping medium and dispose of it in accordance with the regulations.➤ Dispose of the machine with regard to its composition and existing regulations.

5.1 Mounting tools / lifting gear

 CAUTION	
<p>Pump falling over. Slight injury or damage to property can occur.</p> <ul style="list-style-type: none"> ➤ Adhere to the lifting tool's starting point. ➤ Pay attention to the dimensions, weight and centre of gravity of the pump. ➤ Use suitable mounting tools/lifting gear. 	

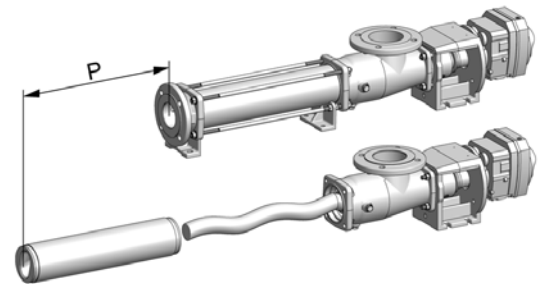
5.2 Space requirement

The required space should be determined by considering the following factors:

- Dimensions and weight.
- Requisite transport and lifting equipment.
- Pipe routing – dismantling (dimension for stator replacement).

5.2.1 Dimension for stator replacement (P)

- Refer to the dimensional drawing.



5.3 Assembly of the complete mounted pump


- Assemble according to technical data (→ chapter 3.).
- Note dimensional drawing.

Tension-free mounting of the pump


- Balance unevenness with suitable supports.
- Applies to mounting on foundations/load-bearing elements.
- Total areas of all pump bearing areas are resting on the surface.

Correct position of the drives

- All drives are set up ready for operation and mounted.
- Correct displacements of the drive during transport/installation of the pump by adjusting/fixing the drive.

 CAUTION	
<p>Safety protection equipment. Slight injury or damage to property may result.</p> <ul style="list-style-type: none"> ➤ Connect safety protection equipment and activate. 	

5.4 Power supply of the seepex pump

	! DANGER
	<p>Supply voltage and power frequency. Death or serious injury will result.</p> <ul style="list-style-type: none">➤ Heed type plate on the pump.➤ Pay attention to manufacturer's directions (→ chapter 13.).➤ Pay attention to safety regulations.

5.5 Pipelines

5.5.1 Suction and pressure connection

- Refer to the dimensional drawing for the position, nominal width and standard.
- Note direction of rotation/flow direction.

5.5.2 Pipeline dimensions

- Adhere to specifications regarding pressure in the pressure respectively suction connection.
- Note technical data (→ chapter 3.).
- Nominal width of suction pipe = nominal width of suction connection of pumps.

5.5.3 Residue-free pipelines

NOTICE
<p>Damage to property through assembly residue. No claims under guarantee if violated.</p> <ul style="list-style-type: none">➤ Keep all pipe work free of foreign objects.➤ Remove weld spatters, screws, steel chips etc.

5.5.4 Tension-free assembly

- Assemble pipelines and other components in a tension-free manner on the pump.

Master Copy

6.1 Commissioning report

Send commissioning report online to
www.seepex.com

From:

Must be specified with every order!

Commission:

Model:

Contact person:
 Tel.:
 Fax:
 E-mail:

Customer Service: seepex GmbH Postfach 10 15 64 D-46215 Bottrop service@seepex.com	Germany	Phone:+49 2041.996-231 Fax: +49 2041.996-431	Address of plant:
	Rest of Europe	Phone:+49 2041.996-224 Fax: +49 2041.996-424	
	Outside Europe	Phone:+49 2041.996-120 Fax: +49 2041.996-432	

Delivery date: _____
 Date of installation: _____
 Assembly check carried out on: _____

Please enter operational data:

Conveying liquid: _____
 Temperature: _____
 Fuse level/motor protection or power consumption _____

Frequency control no
 yes
 If yes:
 Supplied by seepex
 Supplied by customer

Frequency: _____
 Speed: _____
 Power consumption: _____

Place, date

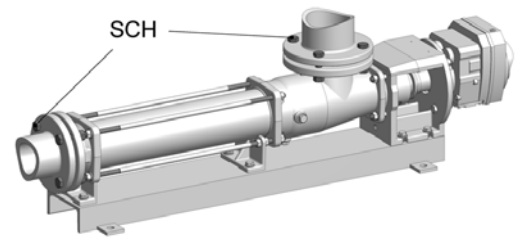
Signature / company stamp

6.2 Measures before commissioning

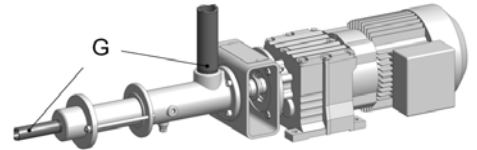
- Note the technical data (→ chapter 3.).

6.2.1 Checking pipelines

- Check flange screwed connections (**SCH**).




- Check threaded connections (**G**).





NOTICE
<p>Ensure the liquid can flow through without obstruction. Malfunction and/or irreparable damage to the pump.</p> <ul style="list-style-type: none"> ➤ Open all shut-off elements before switching on the pump.

6.2.2 Protective devices on the pump

	DANGER
<p>Missing protective device. Danger of pulling in and crushing.</p> <ul style="list-style-type: none"> ➤ Equip the pump with a protective device. Protective devices provided for preventing contact with surfaces or moving parts must be regarded as suitable if contact is not possible in a test involving a test finger, with regard to the penetration possibility, strength and shock resistance. ➤ Comply with national protection regulations. ➤ In pumps with an open suction flange/feed hopper, attach touch protection. These safety clearances protect those persons who are attempting to reach danger areas without additional help and under the conditions defined for various situations of reaching up, reaching under or reaching through <p>In shaft seals, touch protection is only necessary if there are components on the rotating shaft.</p>	

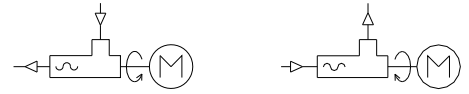
6.2.3 Electrical/hydraulic connections

	 DANGER
	<p>Dangerous voltage. Death or serious injury can occur.</p> <ul style="list-style-type: none"> ➤ Note safety regulations. ➤ Disconnect motor from all sources of energy. ➤ Secure electrical connections against restarting.

6.2.4 Direction of rotation check

- The pump direction of rotation determines the flow direction of the pumping medium.
- Note the direction of rotation arrow on the type plate.

flow direction



counter clockwise

clockwise

6.2.5 Additional devices - optional

- Refer to additional devices (→ chapter 12.1).

6.3 Initial commissioning/repeated commissioning

- Start up the pump.

NOTICE

Dry running of the pump.

Malfunction and/or irreparable damage to the pump.

- Fill the suction casing with liquid in order to lubricate the pumping elements.

6.3.1 Avoid dry running of the pump

NOTICE

High temperature between rotor and stator.

Stator material burned.

Complete failure of the pump.

- Make sure that the suction-side conveying capacity does not cavitate.
- If this cannot be guaranteed on the machine side, assemble a seepex dry running protection (TSE).

6.3.2 Pressure in the suction and pressure connection



CAUTION

High pressure.

Malfunction and/or irreparable damage to the shaft seal or pump.

- Maintain pressure in the suction connection in accordance with the technical data (→ chapter 3.).

Recommendation:



- Assemble an oil-filled contact pressure gauge to monitor and deactivate the pump.

6.4 De-commissioning


Protect the pump and additional devices against the following:

- Frost
- Deposit of solids
- Sedimentation from the liquid
- Corrosion of parts that come into contact with the medium

6.4.1 Switching off the pump

	 DANGER
	<p>Dangerous voltage. Death or serious injury can occur.</p> <ul style="list-style-type: none"> ➤ Note safety regulations. ➤ Disconnect motor from all sources of energy. ➤ Secure electrical connections against restarting.

6.4.2 Emptying the pump

 CAUTION
<p>Liquid draining out. Minor injury or damage to property can occur.</p> <ul style="list-style-type: none"> ➤ Wear suitable protective clothing. ➤ Refer to the technical data (→ chapter 3.) for the corresponding configuration of the pump housing.

To drain the pump:

- If the pump housing has screwed plugs, remove the screwed plugs.
- Drain using a connection branch (suction casing, pressure branch) if the pump housing is coated or the housing does not have screwed plugs.
- Drain the residual liquid from the pump housing.
- Drain the pipelines on the suction and pressure sides, or shut off behind the pump connections.

6.4.3 Removing the pump

**WARNING****Risk of pump tipping or falling.**

Death or serious injury can occur.

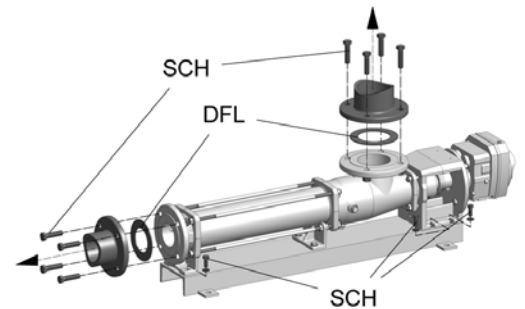
- Support the drive unit to guarantee stability.

Pipeline dismantling

- Remove flange bolts (**SCH**) and flange seals (**DFL**).

with/without base plate

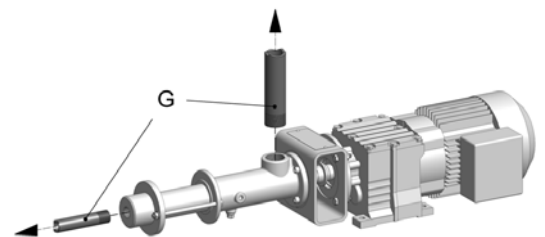
- Remove bolts (**SCH**) from the pump feet.

**Pipeline dismantling**

- Remove threaded connections (**G**).

with/without base plate

- Remove bolts (**SCH**) from the pump feet.



6.4.4 Preservation/storage of the pump

NOTICE**Damage to property due to lack of corrosion protection.**

Property damage can occur due to corrosion.

- Contact seepex to discuss suitable preservation measures.
 - State the commission number of the pump.

7.1 Preventive measures



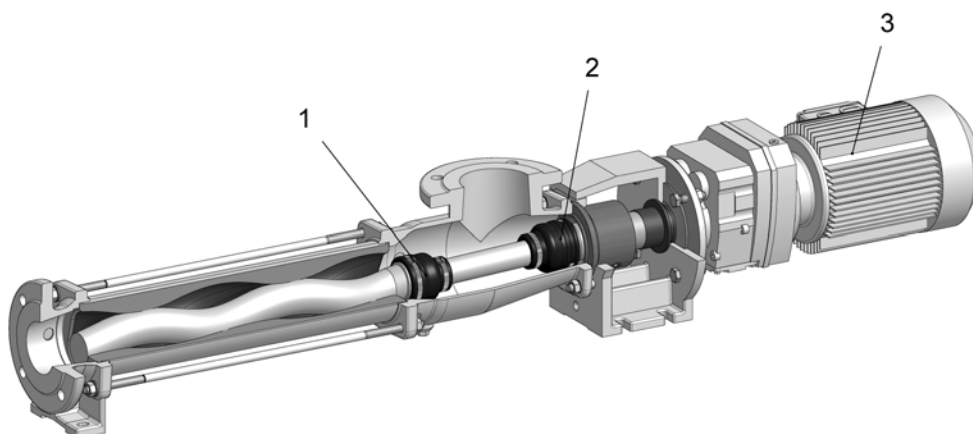
The maintenance personnel must have these operating instructions, follow them and also require corresponding qualifications.

	! DANGER
	<p>Dangerous voltage. Death or serious injury can occur.</p> <ul style="list-style-type: none"> ➤ Note safety regulations. ➤ Disconnect pump from all sources of energy. ➤ Secure electrical connections against restarting.

7.1.1 Pump down-time

NOTICE
<p>Pump down-time. Production failure due to wear.</p> <ul style="list-style-type: none"> ➤ Acquisition of a set of wearing parts and a set of gaskets.

7.2 Lubrication



No.	Denomination	Lubricant	Lubricant change in operating hours	Fill volume
1	Pin joint	seepex special grease *	10000 h	*
2	Pin joint	seepex special grease *	10000 h	*
3	Drive	Refer to manufacturer's documentation (chapter 13._)		
	Rotor/stator	Conveying medium	---	---
	Shaft seal	Conveying medium	---	---

* Type and filling quantities are commission specific information.

7.2.1 Joint grease

NOTICE
<p>Other grease types. Malfunction and/or irreparable damage to the joints or the pump.</p> <p>➤ Exclusively use seepex special grease.</p>

7.3 Inspection

Component	Interval	Action
Joints	Every 10,000 operating hours	Renew joint grease
Stator	Every week	Visual check for leaks
Shaft seal	Every week	Visual check for leaks
Drive unit	Every 3000 operating hours, at least every 6 months	Comply with manufacturer's documentation

Refer to technical data (chapter 3.) for application range of the pump.

Malfunction									Causes	Rectification
Pump is not sucking	Pump pumping unevenly	Conveying capacity is not achieved	Pressure head is not reached	Pump does not start up	Pump seized / pump does not pump	Pump is loud when running	Motor gets too hot	Premature stator wear		
			X				X	X	Static friction between stator/rotor too great.	Apply lubricant (liquid soap) between stator and rotor.
X									Incorrect direction of rotation.	Check direction of rotation and swap over motor connections if necessary.
X	X	X			X	X			Suction pipe or shaft seal leaking.	Eliminate leaks.
X	X	X				X			Suction head too great.	Check the suction head, if necessary increase pipe cross section on suction pipe and use a larger filter, open suction-side valve fully.
X	X	X							Viscosity of conveying product too great.	Check/adapt (data sheet).
		X	X				X		Pump rotation speed incorrect.	Correct rotation speed (data sheet).
	X	X								Avoid air bubbles in the conveying product.
		X	X	X	X	X	X	X	Pressure head too great.	Check pressure head with pressure gauge, reduce pressure head by using larger pressure pipe crossed section or shortening the pressure pipe.
X	X	X			X			X	Pump running partially/ completely dry.	Check there is adequate conveying product available on the suction side. Dry running protection DRP.
						X	X		Check coupling.	If necessary, move pump in relation to drive, check wear on coupling gear, re-adjust coupling if necessary.
X		X							Rotation speed too low.	Increase rotation speed for low-viscosity media/large suction volume.

Malfunction									Causes	Rectification	
Pump is not sucking	Pump pumping unevenly	Conveying capacity is not achieved	Pressure head is not reached	Pump does not start up	Pump seized / pump does not pump	Pump is loud when running	Motor gets too hot	Premature stator wear			Shaft seal is leaky
X	X					X				Rotation speed too high.	Reduce rotation speed for high-viscosity media, risk of cavitation.
						X				Joint play too large.	Check mounting of coupling rod bushing.
X		X		X	X			X		Foreign objects in pump.	Dismantle pump, remove foreign bodies, replace defective parts.
X		X	X		X					Stator/rotor worn.	Dismantle pump and renew defective parts.
X		X			X	X				Joint parts worn.	Renew joint parts, use seepex pin joint grease.
X		X			X			X		Suction pipe blocked.	Clean the suction pipe.
X				X	X		X	X		Temperature of pumping liquid too high.	Check temperature, use an undersize rotor.
X		X		X			X		X	Gland packing too firm/worn.	Loosen packing gland or tighten. Renew unusable packing rings.
X				X	X			X		Solid content and/or grain size too great.	Reduce pump speed, install screen with permitted mesh width. Increase liquid proportion.
X				X				X	X	Sedimentation/gumming of solids when pump stationary.	Rinse through and clean the pump immediately.
X				X	X			X	X	Conveying product hardens when the temperature drops below a certain limit.	Heat the pump.
				X	X		X	X		Stator swollen and unable to withstand conveying product.	Select a suitable stator material, use an undersize rotor.
						X			X	Bearings in pump drive housing or drive unit defective.	Renew bearings.
									X	Mechanical seal defective.	Check sliprings and O-rings for wear/resistance, renew if necessary.

9.1 Dismantling/Reassembly of the pump










Table of contents:

9.1.1	Dismantle the rotor and stator
9.1.2	Assemble the rotor and stator
9.1.3	Dismantle the pump
9.1.4	Assemble the pump

- For dismantling/reassembly of the rotor/stator, see chapters 9.1.1 and 9.1.2.
- For dismantling/reassembly of the pumps, see chapters 9.1.3 and 9.1.4.

Recommended tools

Keep the listed tools ready (not part of the delivery scope):

Illustration	Denomination
	Hammer
	Set allen keys
	Set ring spanners size 10 - size 30
	Set fork spanners size 10 - size 30
	Ratchet
	Metal cutting saw (WH)
	Screwdriver (WS)
	Chisel (WM)
	Spirit level (WW)






Recommended special tools

i

Special tools are not part of the delivery scope.

- Order special tools using the order form (→ chapter 11).

9. Dismantling/reassembly

Illustration	Denomination
	Packing puller (W1)
	Chain wrench (W2)
	Mounting tool (W3)
	Mounting lever (W9)
	Dismantling tool (W10)

9.1.1 Dismantle rotor (600) and stator (601)

9.1.1.1 Prepare rotor (600) and stator (601) for dismantling

DANGER

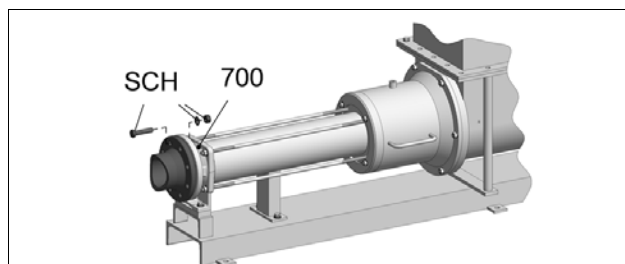


Risk of fatal injury from electrical current.

There is an immediate danger of fatal electric shock through contact with live parts.

- Observe safety regulations.
- Disconnect the drive from all energy sources.
- Prevent electrical connections from being switched on again.
- Ensure that residual voltage is not present at any electrical connections of the machine.

- Empty pipelines.
- Allow pipelines to cool.
- Dismantle screw fitting (**SCH**) between pipeline and pressure branch (**700**).
- Observe de-commissioning instructions (→ chapter 6).



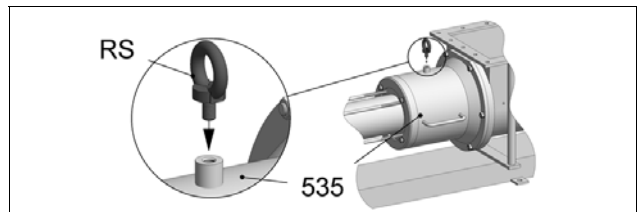
9.1.1.2 Dismantle dry-running protection device (TSE) (optional)

- Before dismantling the pump, dismantle the dry running protection device (**TSE**).
 - Observe associated documents (→ chapter 12.1) of the operating and assembly instructions.

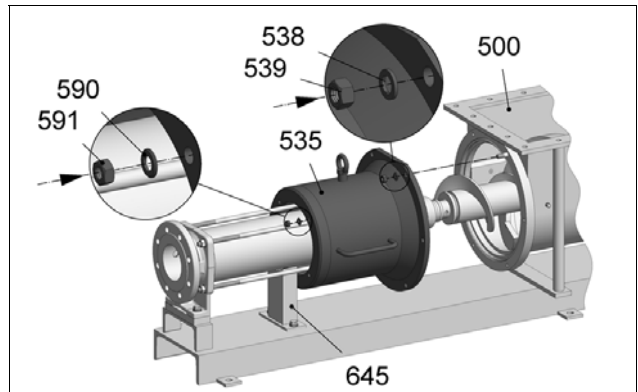
9. Dismantling/reassembly

9.1.1.3 Dismantle rotor (600), stator (601) and stuffing part (535)

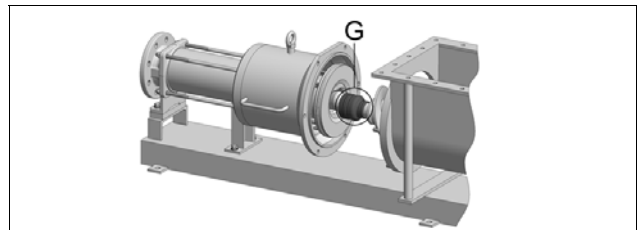
- **⚠ CAUTION** Risk of injury through incorrect dismantling. The stuffing part (535) can cause injuries if it falls. To prevent falling, secure the stuffing part (535) to the eye screw (RS).




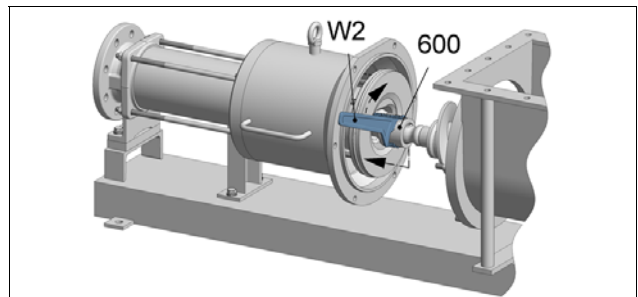
- Dismantle the screw fitting (538, 539).
- Dismantle the screw fitting (590, 591).
- **⚠ CAUTION** Risk of injury through incorrect dismantling. Fingers could get crushed when the stuffing part is repositioned.
- Use the grips on stuffing part (535) for repositioning.
- Move the stuffing part (535) up to the stator support (645).



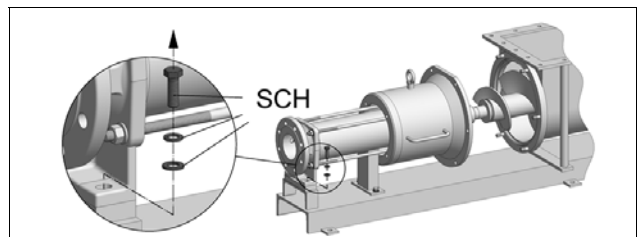
- For joint (G) dismantling, refer to the document Rotating unit-components parts (→ chapter 9.2).



- Turn rotor (600) to limit stop of stator (601).
 -  Use tool (W2).

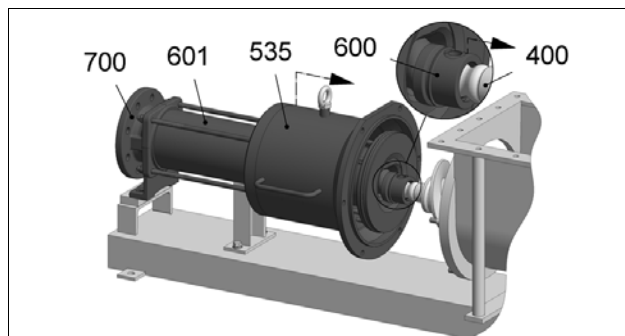


- Dismantle screw fitting (SCH).

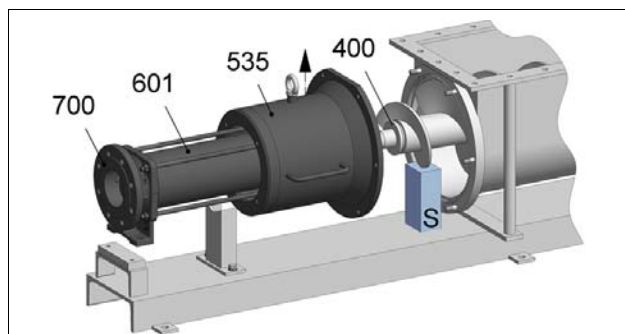


9. Dismantling/reassembly

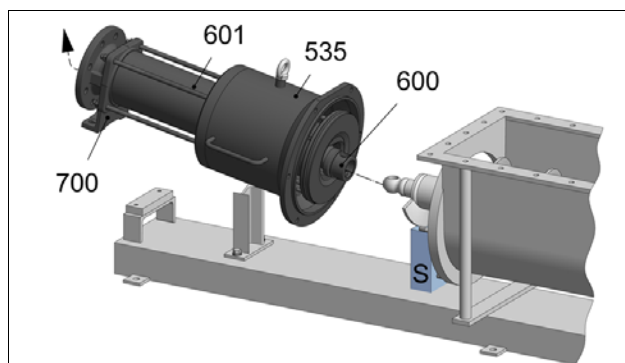
- Slide unit consisting of pressure branch (700) rotor (600) stator (601) and stuffing part (535) up to the limit stop in direction of the coupling rod (400).



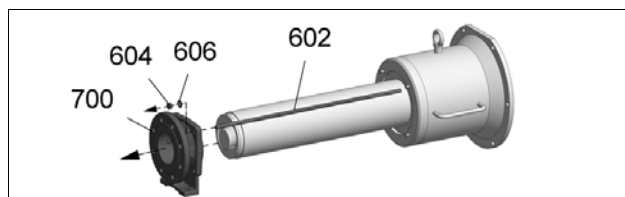
- Lift unit consisting of pressure branch (700), rotor (600), stator (601) and stuffing part (535) until coupling rod (400) is stopped by feed hopper (500).
- Prop up coupling rod (400) with support (S).



- Bend upwards and remove unit consisting of pressure branch (700), rotor (600), stator (601) and stuffing part (535).




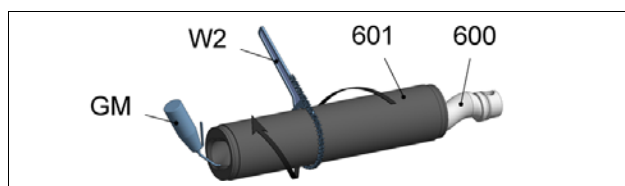
- Dismantle screw fitting (604, 606).
- Remove pressure branch (700).
- Remove tie bolts (602).



- Remove stuffing part (535) and stator capture (568).
- Remove seal (569) and stator capture (568).




- Secure rotor (600) to prevent it from rotating.
- Apply lubricant (GM) in the opening on the pressure branch side between rotor (600) and stator (601).
- Turn stator (601) to remove it.
 -  Use tool (W2).

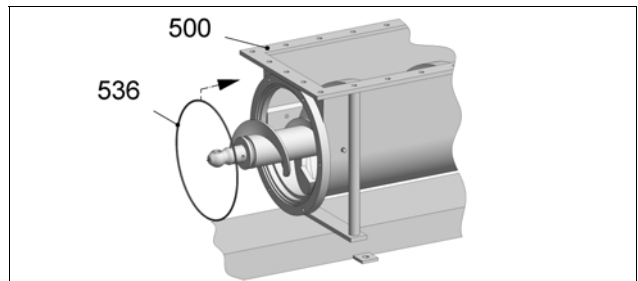
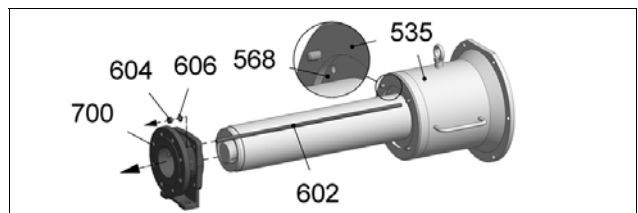
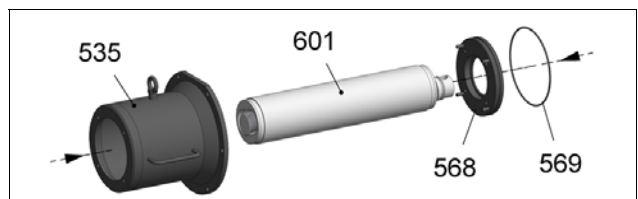
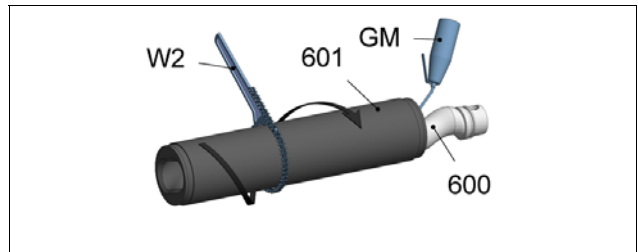


9. Dismantling/reassembly

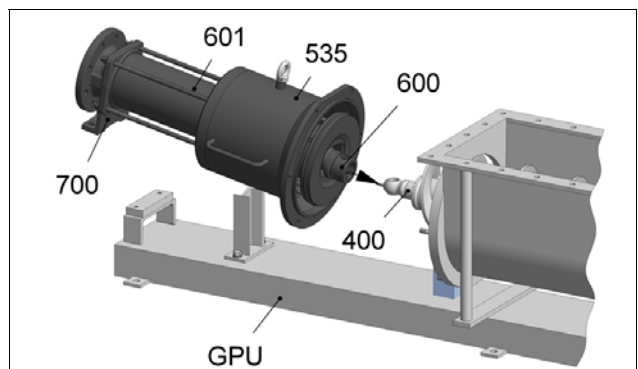
9.1.2 Assemble rotor (600) and stator (601)

9.1.2.1 Assemble rotor (600), stator (601) and stuffing part (535)

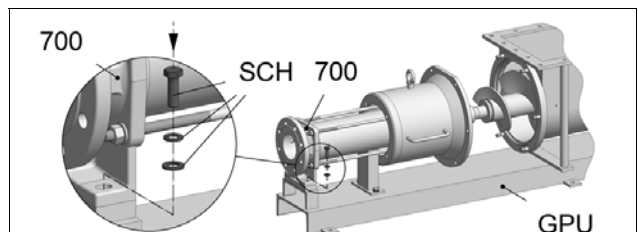
- Secure rotor (600) to prevent it from rotating.
- Moisten outer surface of rotor (600) with lubricant (GM).
- Moisten inner surface of stator (601) with lubricant (GM).
- Slide stator (601) onto rotor (600) by turning it up to the stop.
 -  Use tool (W2).
- Check seal (569) for wear and replace if necessary.
- Insert seal (569) into stator capture (568).
- Slide stuffing part (535) and stator capture (568) onto stator (601).
- Slide pressure branch (700) onto stator (601).
- Insert tie bolts (602) loosely into pressure branch (700), slide them through the stuffing part (535) and install on stator capture (568).
- Check seal (536) for wear and replace if necessary.
- Insert seal (536) into feed hopper (500).
- Prop up coupling rod (400) with support (S).



- Place unit comprised of pressure branch (700), rotor (600), stator (601) and stuffing part (535) on the base plate (GPU).
- Insert rotor (600) into coupling rod (400).



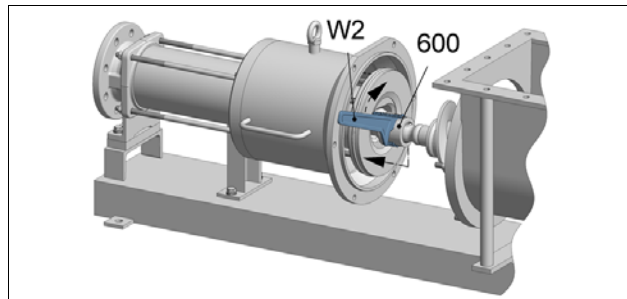
- Preassemble screw fitting (SCH) between pressure branch (700) and base plate (GPU).



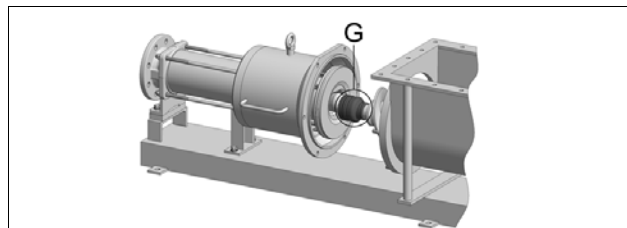
9. Dismantling/reassembly

- Unscrew rotor (600) from stator (601) to the extent that drillings in the coupling rod head (400) and rotor head (600) correspond.

-  Use tool (W2).



- For joint (G) reassembly, refer to the document Rotating unit-components parts (→ chapter 9.2).

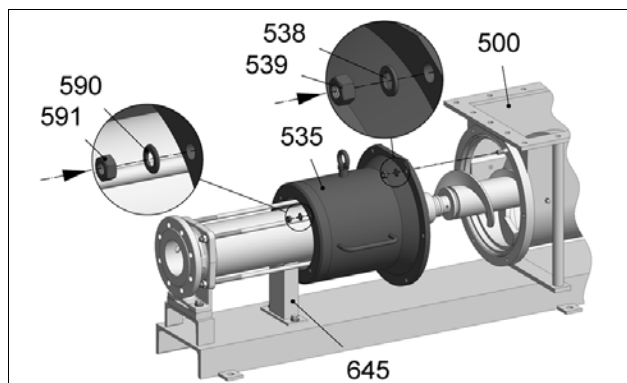


- **⚠ CAUTION** Risk of injury through incorrect assembly. Fingers could be crushed when the repositioning the stuffing part. Use the grips on the stuffing part (535) for repositioning.

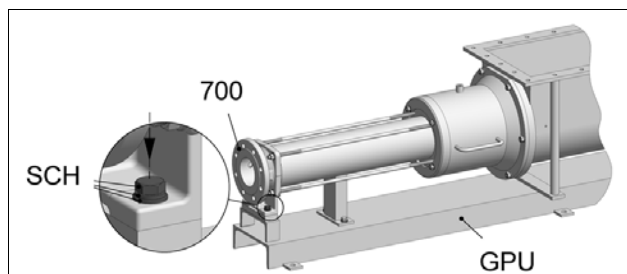
- Slide stuffing part (535) onto feed hopper (500).

- Assemble stuffing part (535) using screw fitting (538, 539).

- Assemble screw fitting (590, 591) between stuffing part (535) and stator capture (568).



- Tighten screw fitting (SCH) between pressure branch (700) and base plate (GPU).



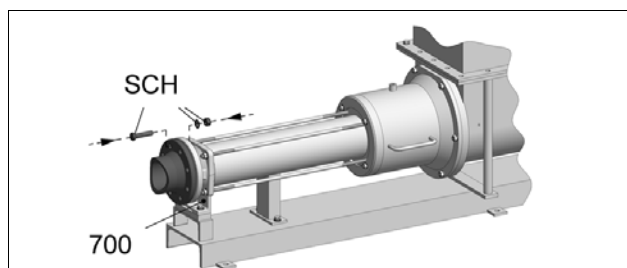
9.1.2.2 Assemble dry-running protection device (TSE) (optional)

Assemble dry-running protection device (TSE) (optional)

- Observe the chapter Options and additional accessories (→ chapter 12.1).

9.1.2.3 Final installation of the pump

- Assemble screw fitting (SCH) between pipeline and pressure branch (700).



9.1.3 Dismantle pump

9.1.3.1 Prepare pump for dismantling

DANGER

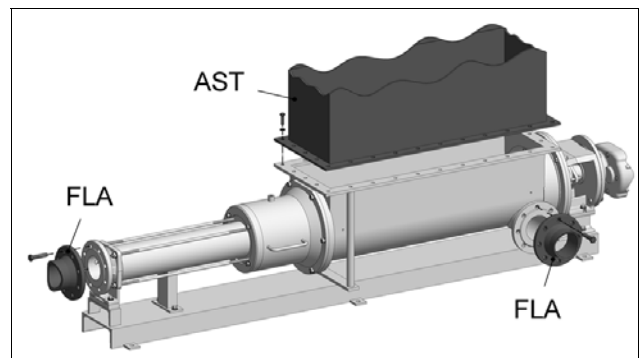


Risk of fatal injury from electrical current.

There is an immediate danger of fatal electric shock through contact with live parts.

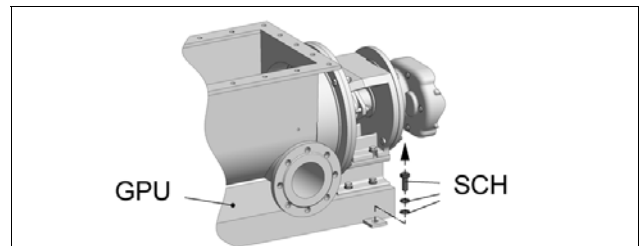
- Observe safety regulations.
- Disconnect the drive from all energy sources.
- Prevent electrical connections from being switched on again.
- Ensure that residual voltage is not present at any electrical connections of the machine.

- Empty pipelines.
- Allow pipelines to cool.
- Remove the connections to the pipelines (**CFL**) and the extension hopper (**AST**) (suction side/pressure side).
- Observe de-commissioning instructions (→ chapter 6).



⚠ WARNING Risk of injury due to lack of stability of pump. Crushing of body parts due to the pump or pump parts tipping or falling down.

- Fasten base plate (**GPU**) to secure pump.
 - Recommendation: Fasten to suitable base using a screw fitting (**SCH**).

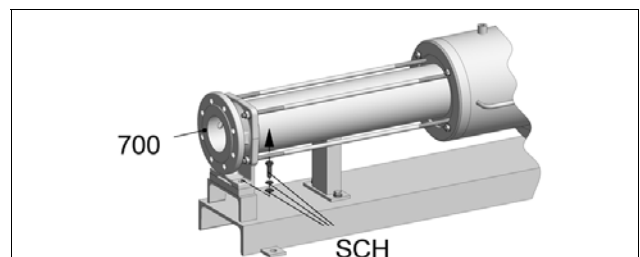


9.1.3.2 Dismantle dry-running protection device (TSE) (optional)

- Before dismantling the pump, dismantle the dry running protection device (**TSE**).
 - Observe associated documents (→ chapter 12.1) of the operating and assembly instructions.

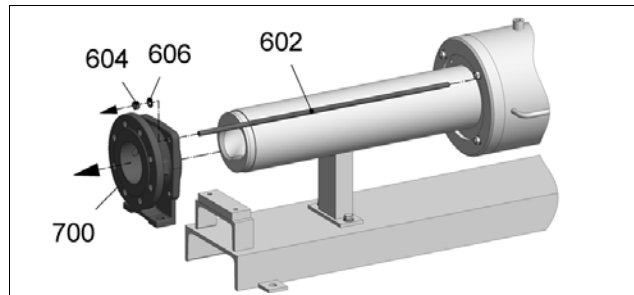
9.1.3.3 Dismantle pressure branch (700)

- Dismantle screw fitting (**SCH**).



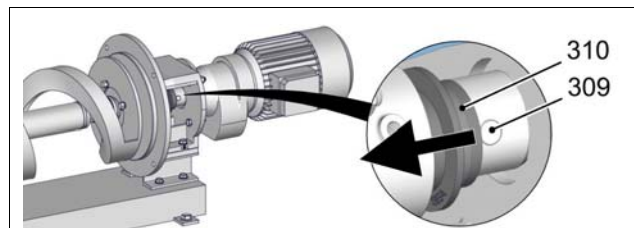
9. Dismantling/reassembly

- Dismantle screw fitting (**604, 606**).
- Remove pressure branch (**700**).
- Remove tie bolts (**602**).

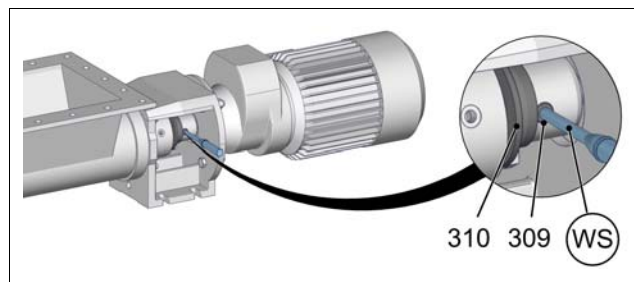



9.1.3.4 Dismantle stator (601)

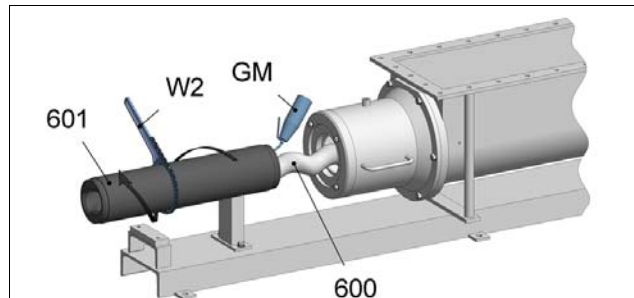
- Raise/reposition splash ring (**310**) to remove plug-in shaft pin (**309**).



- Eject plug-in shaft pin (**309**).
 - Use a suitable tool (**WS**).

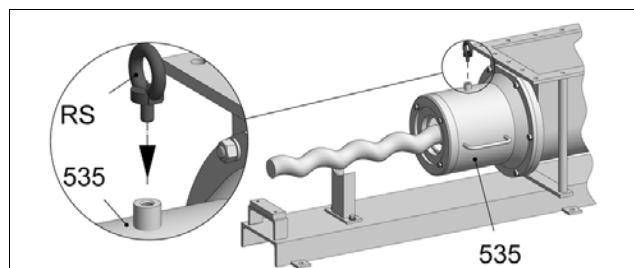


- Turn stator (**601**) to remove it.
 - Apply lubricant (**GM**) into the opening between rotor (**600**) and stator (**601**) for easier dismantling.
 -  Use tool (**W2**).



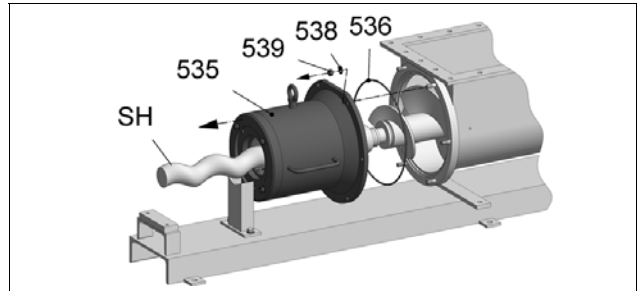
9.1.3.5 Dismantle stuffing part (535)

- Assemble eye screw (**RS**) on stuffing part (**535**).
 - ▲ CAUTION** Risk of injury through incorrect dismantling. The stuffing part (**535**) can cause injuries if it falls.
- To prevent falling, secure the stuffing part (**535**) to the eye screw (**RS**).

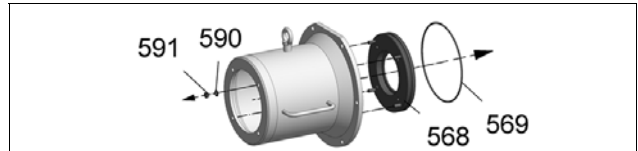


9. Dismantling/reassembly

- Put a protective cover (**SH**) on the rotor (**600**).
- **▲ CAUTION** Risk of injury through incorrect dismantling. Fingers could get crushed when the stuffing part is repositioned. Use the grips on stuffing part (**535**) for repositioning.
- Dismantle the screw fitting (**538, 539**).
- Remove stuffing part (**535**) and O-ring (**536**).

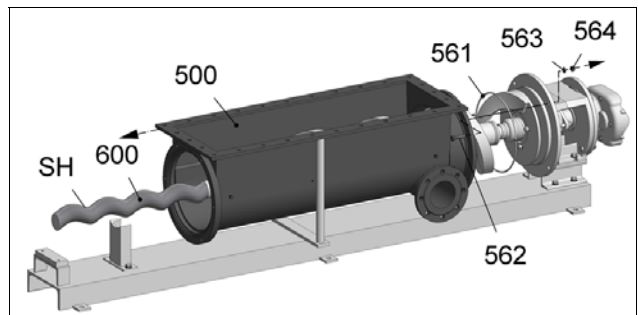


- Dismantle screw fitting (**590, 591**).
- Remove stator capture (**568**) and o-ring (**569**).



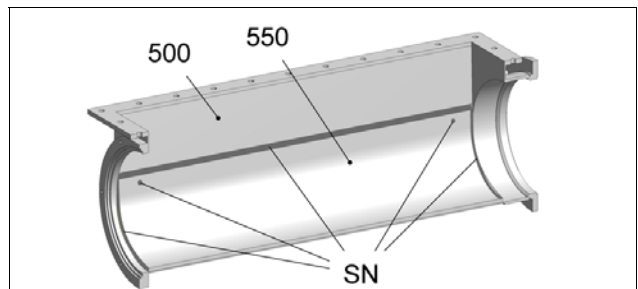
9.1.3.6 Dismantle feed hopper (500)

- **▲ CAUTION** Risk of injury through incorrect dismantling. The feed hopper (**500**) can cause injuries if it falls. Secure the feed hopper (**500**) from falling down.
- Remove screw fitting (**562, 563, 564**).
- Remove feed hopper (**500**) and O-ring (**561**).

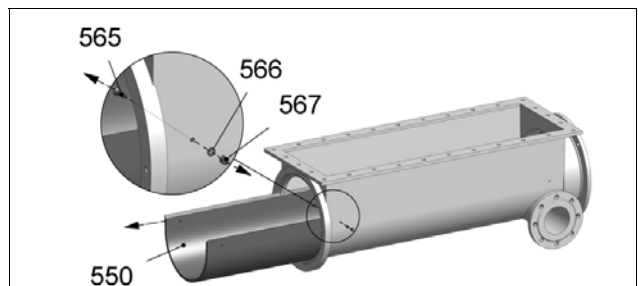


9.1.3.7 Dismantle inlay (550)

- Remove silicone seam (**SN**) along the inlay (**550**).



- Dismantle screw fitting (**565, 566, 567**).
- Remove inlay (**550**) from feed hopper (**500**).

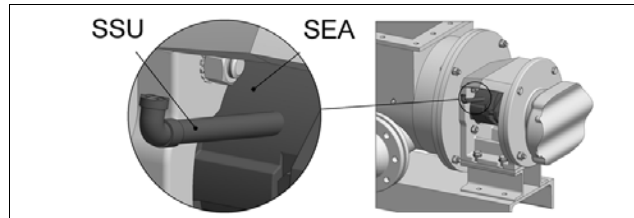



9. Dismantling/reassembly

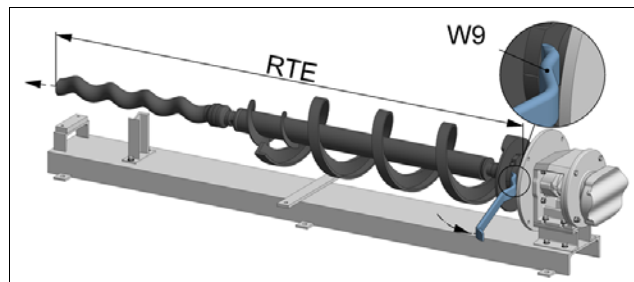
9.1.3.8 Dismantle rotating unit (RTE)

Dismantle flush connection (SSU) (optional)

- Remove flush connection (**SSU**) from the casing of the shaft sealing (**SEA**).

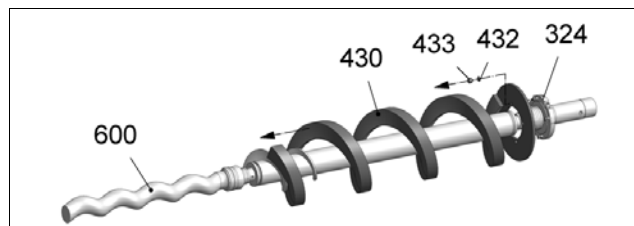


- Detach rotating unit (**RTE**) from output shaft of the drive (**ANT**).
 -  Use tool (**W9**).

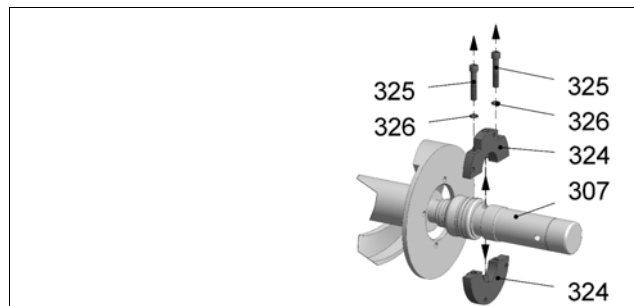


9.1.3.9 Dismantle ribbon screw (430) and clamping ring (324)

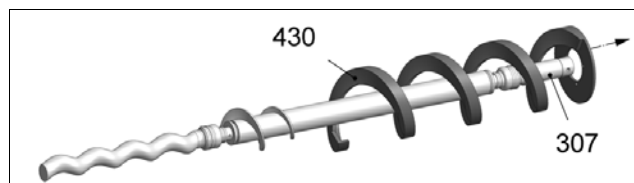
- Dismantle screw fitting (**433, 432**).
- Slide ribbon screw (**430**) towards rotor (**600**).



- Dismantle the screw fitting (**325, 326**).
- Remove clamping ring (**324**) from plug-in shaft (**307**).

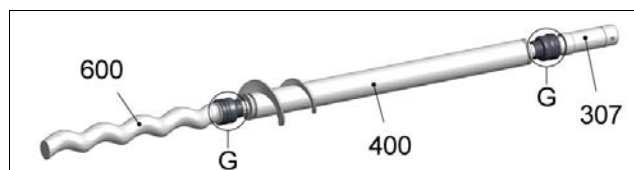


- Pull ribbon screw off (**430**) over plug-in shaft (**307**).



9.1.3.10 Dismantle rotor (600), coupling rod (400) and plug-in shaft (307)

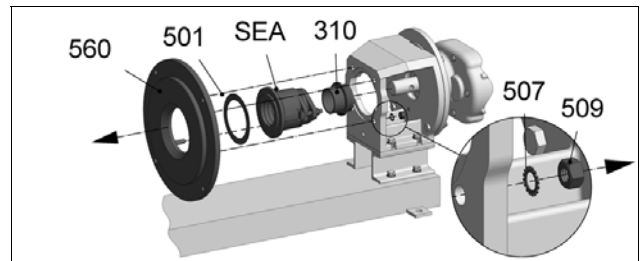
- Dismantling the joints (**G**)
 - Note chapter on Rotating unit components (→ Chapter 9.2).



9. Dismantling/reassembly

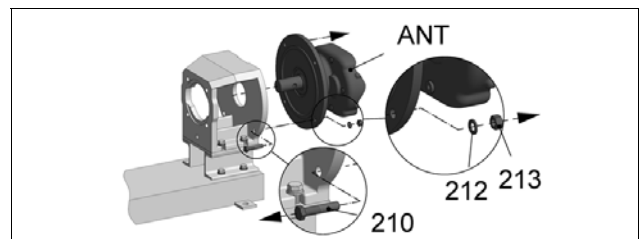
9.1.3.11 Remove centering cover (560), shaft seal (SEA)

- Dismantle screw fitting (507, 509).
- Remove centering cover (560), suction casing gasket (501), shaft seal (SEA) and splash ring (310).



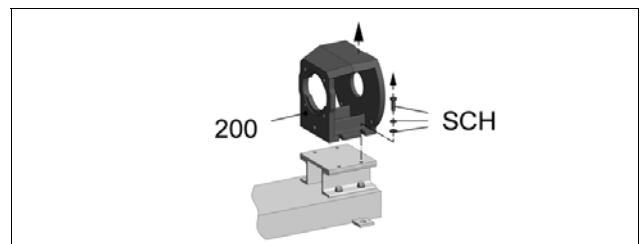
9.1.3.12 Dismantle drive (ANT)

- Dismantle screw fitting (210, 212, 213).
- Remove drive (ANT).



9.1.3.13 Dismantle lantern (200)

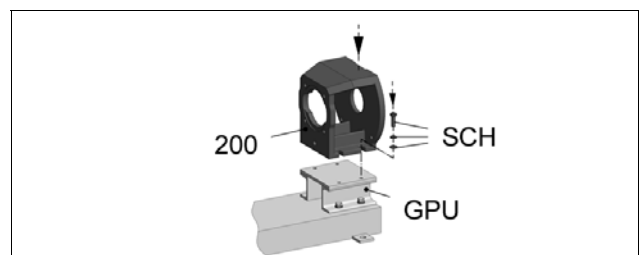
- Dismantle screw fitting (SCH).
- Remove lantern (200).



9.1.4 Assemble pump

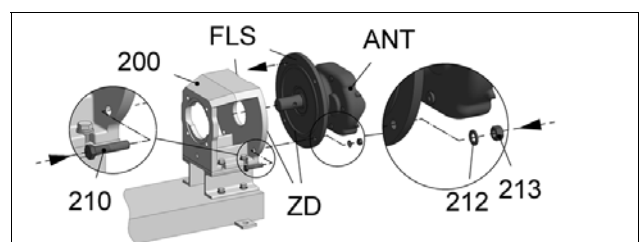
9.1.4.1 Assemble lantern (200)

- Assemble lantern (200) with screw fitting (SCH) to base plate (GPU).



9.1.4.2 Assemble drive (ANT)

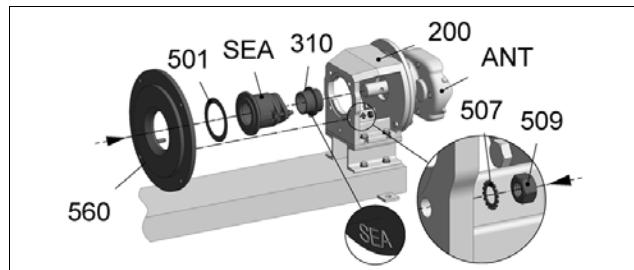
- Clean flange bearing surfaces (FLS), centering surface (ZD) and output shaft of the drive (ANT).
- Assemble drive (ANT) with screw fitting (210, 212, 213) on lantern (200).



9. Dismantling/reassembly

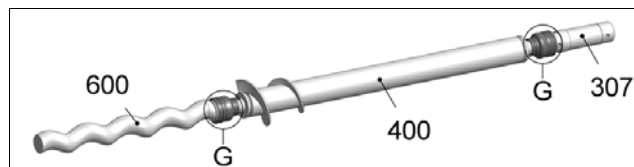
9.1.4.3 Assemble centering cover (560), shaft seal (SEA)

- For easier assembly of the splash ring (310) apply anti-seize graphite petroleum to the inner surface of the splash ring (310) and output shaft of the drive (ANT).
- Push the splash ring (310) loosely onto the output shaft of the drive (ANT).
 - Note the fitting position of the splash ring (E) ("SEA" label).
- Push on the shaft seal (SEA), casing gasket (501) and centering cover (560).
 - See shaft sealing reassembly (→ Chapter 9.4).
- Assemble centering cover (560) with screw fitting (507, 509).



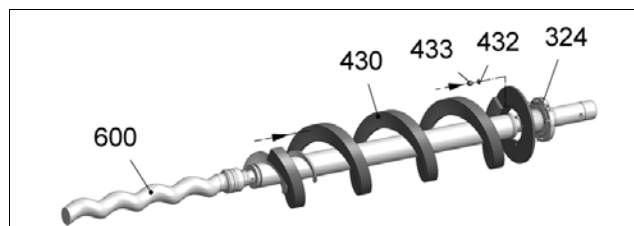
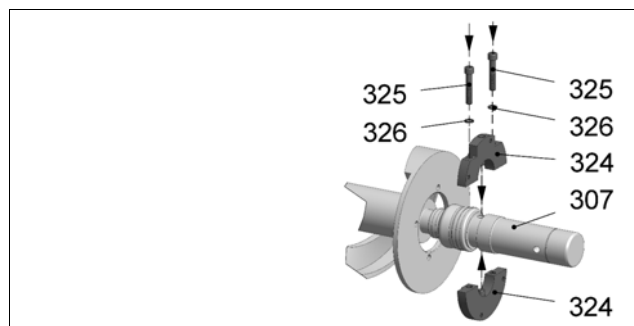
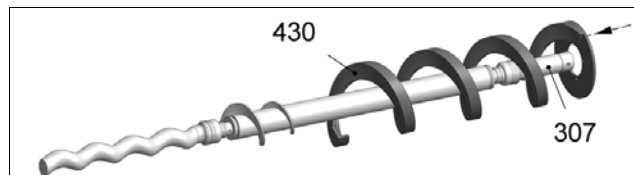
9.1.4.4 Assemble rotor (600), coupling rod (400) and plug-in shaft (307)

- Assembling the joints (G)
 - Note chapter on Rotating unit components (→ Chapter 9.2).



9.1.4.5 Assemble ribbon screw (430) and clamping ring (324)

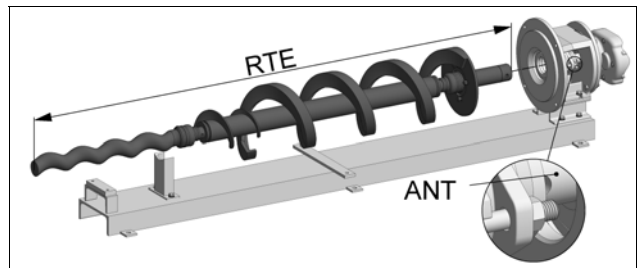
- Slide ribbon screw (430) over the plug-in shaft (307) towards the rotor (600).
- Insert clamping ring (324) into the groove and hole of the plug-in shaft (307).
- Install screw fitting (326, 325) on clamping ring (324).
- Push the ribbon screw (430) back to the clamping ring (324) and assemble with screw fitting (432, 433).



9. Dismantling/reassembly

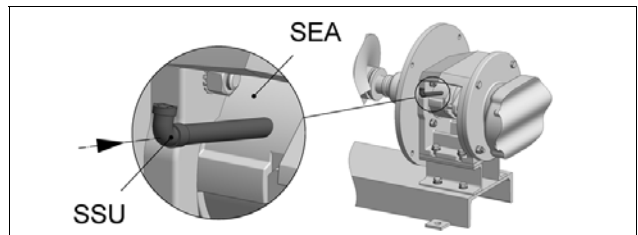
9.1.4.6 Assemble rotating unit (RTE)

- For simpler assembly, moisten outer surface of plug-in shaft (307) with anti-seize graphite petroleum.
- Push rotating unit (RTE) onto output shaft of the drive (ANT).
- Slide splash ring (310) onto plug-in shaft (307).



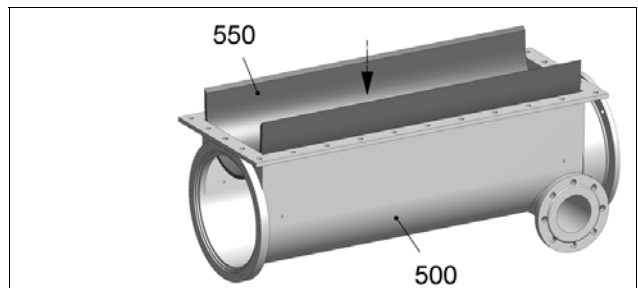
Assemble the flush connection (SSU) (optional)

- Assemble flush connection (SSU).

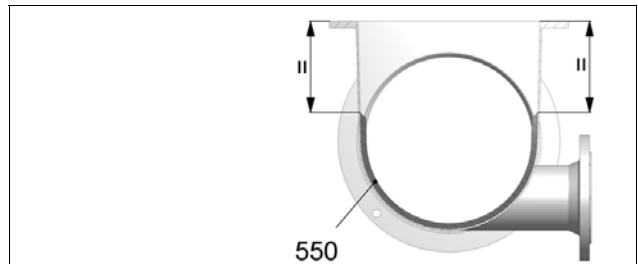



9.1.4.7 Assemble the inlay (550)

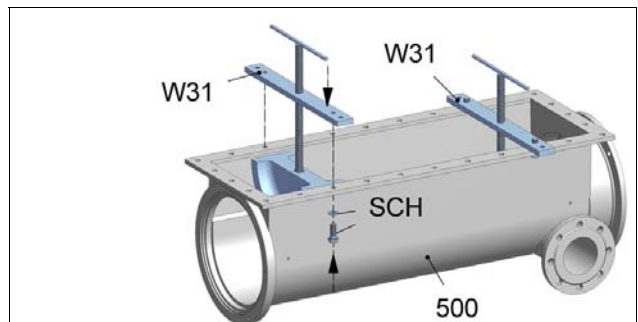
- Degrease the interior of the feed hopper (500).
- Place the inlay (550) into the feed hopper (500) from above.




- Align inlay (550).

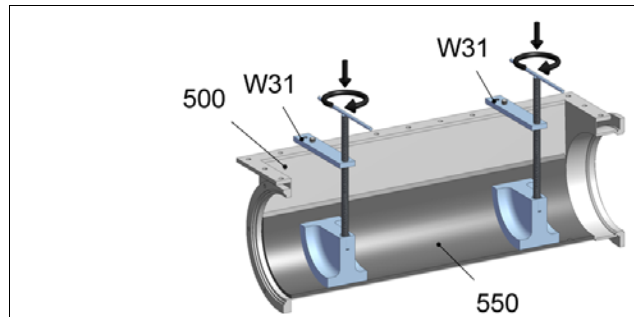


-  Install tool (W31) with screw fitting (SCH) on feed hopper (500).

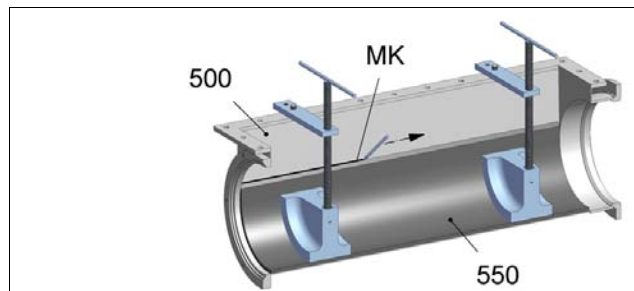


9. Dismantling/reassembly

- Press the inlay (550) evenly and completely against the inner wall of the feed hopper (500).
 -  Use tool (W31).



- Mark (MK) the position of inlay (550) on the inner wall of the feed hopper (500).

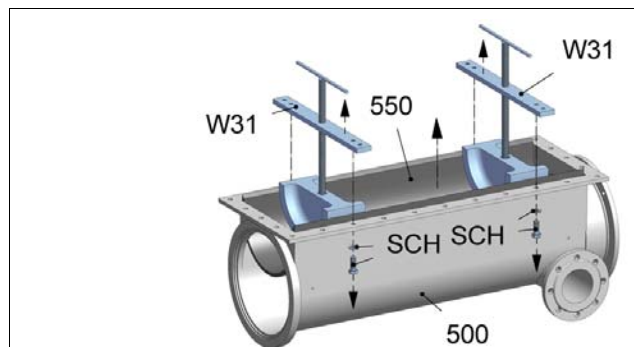


For feed hopper (500) with flush connection (optional)

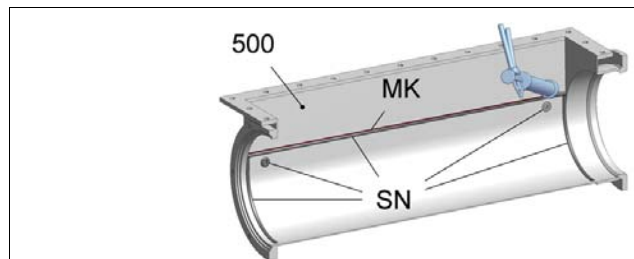
- Mark (MK) cut-out for flush connection from outside on the inlay (550).



- Dismantle the screw fitting (SCH) and remove the tool (W31).
- Remove inlay (550) from feed hopper (500).
- Cut out the marked area for flush connection (optional).

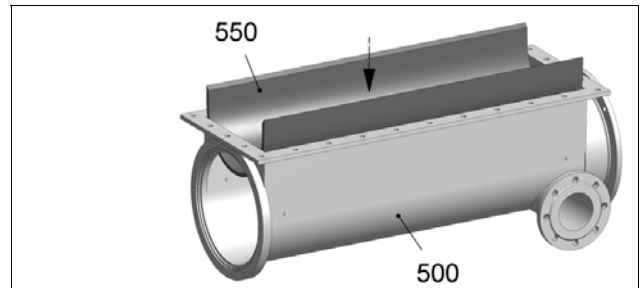


- In order to seal the inlay (550), apply silicone (SIL) to all the outer edges and edges of the screw fittings and flush connection (optional) on the inner wall of the feed hopper (500).
 - Note the marking (MK).
 - Use tool (WZ).

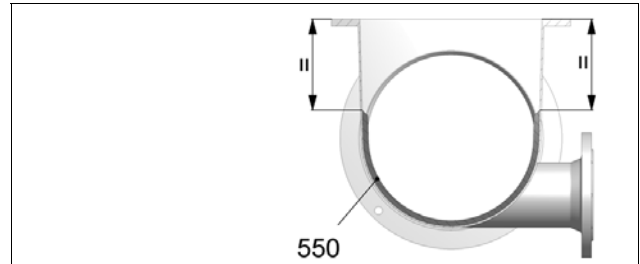



9. Dismantling/reassembly

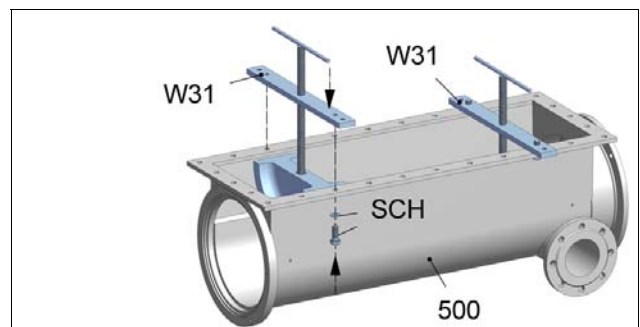
- Place the inlay (550) into the feed hopper (500) from above.




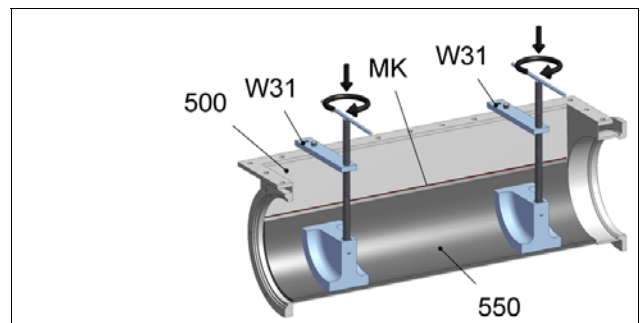
- Align inlay (550).




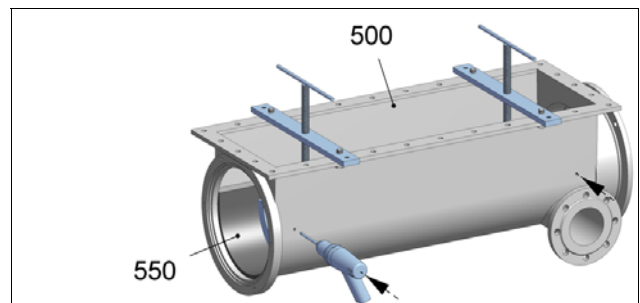
-  Install tool (W31) with screw fitting (SCH) on feed hopper (500).



- Press the insert (550) evenly and completely against the inner wall of the feed hopper (500).
 - Note the marking (MK).
 -  Use tool (W31).




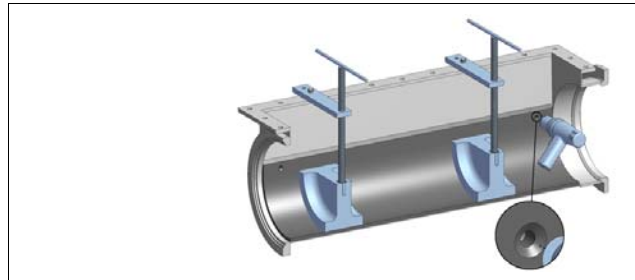
- Pierce inlay (550) from exterior.
 - Use available holes in feed hopper (500).
 -  Use tool (DRM).



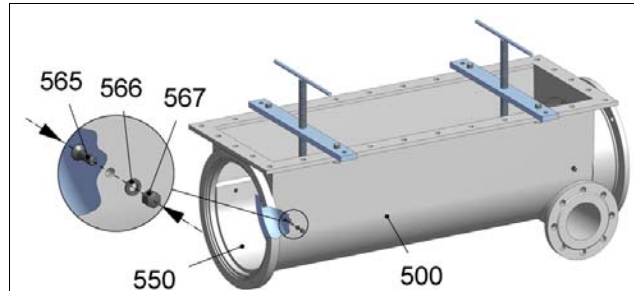
9. Dismantling/reassembly

- Countersink holes from the inside.

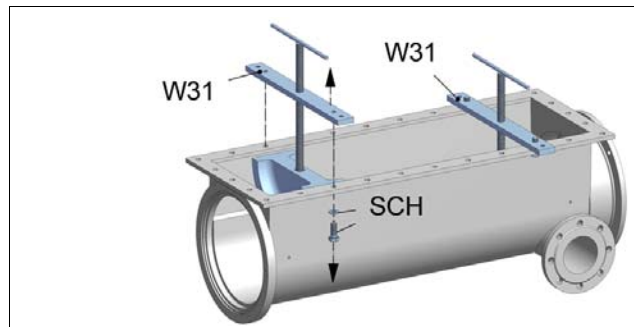
-  Use tool **(DRM)**.



- Install the inlay **(550)** with screw fitting **(565, 566, 567)** on the feed hopper **(500)**.

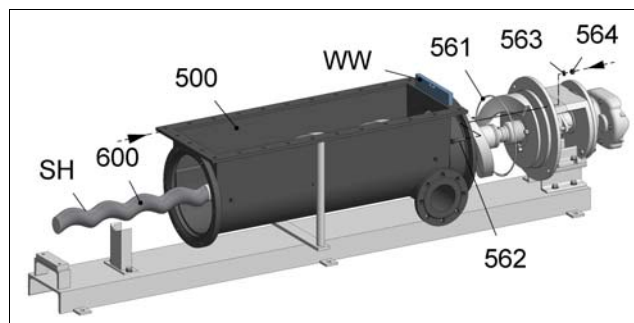


- Allow the silicone seams to dry as per the manufacturer specifications.
- Only then dismantle the screw fitting **(SCH)** and remove the tool **(W31)**



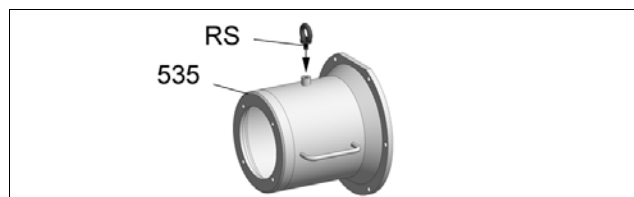
9.1.4.8 Assemble feed hopper (500)

- Fit rotor **(600)** with protective cover **(SH)**.
- **⚠ CAUTION** Risk of injury through incorrect assembly. The feed hopper **(500)** can cause injuries if it falls. Secure feed hopper **(500)** against falling.
- Push on o-ring **(561)**.
- Assemble and align feed hopper **(500)** with screw fitting **(562, 563, 564)**.
 - Use spirit level **(WW)**.



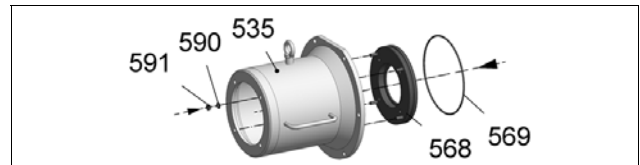
9.1.4.9 Assemble stuffing part (535)

- **⚠ CAUTION** Risk of injury through incorrect assembly. The stuffing part **(535)** can cause injuries if it falls. To prevent falling, secure the stuffing part **(535)** to the eye screw **(RS)**.



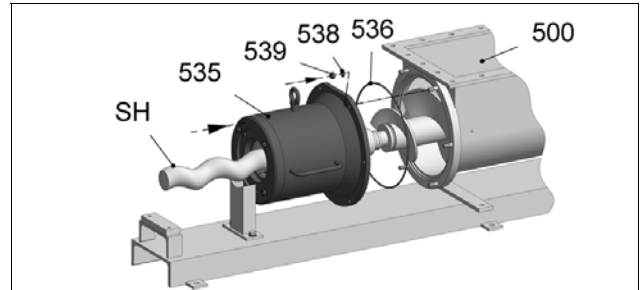
9. Dismantling/reassembly

- Insert o-ring (569) into stator capture (568).
- Assemble stator capture (568) to stuffing part (535) with screw fitting (590, 591).

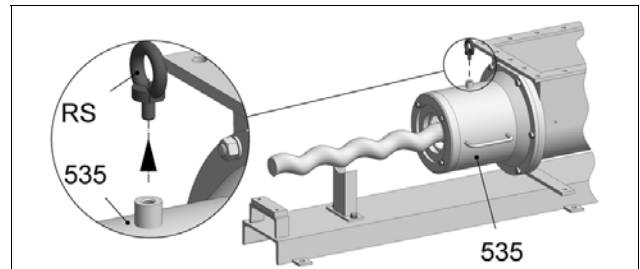


⚠ CAUTION Risk of injury through incorrect assembly. Fingers could be crushed when the repositioning the stuffing part. Use the grips on the stuffing part (535) for repositioning.

- Insert o-ring (536) into stuffing part (535).
- Assemble the stuffing part (535) with the screw fitting (538, 539) on the feed hopper (500).
- Remove protective cover (SH).

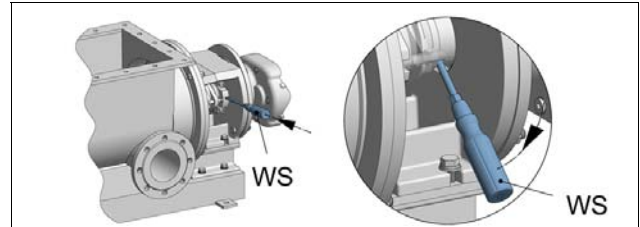



- Remove eye screw (RS) from stuffing part (535).
- Assemble stator support (645) with screw fitting (SCH) on base plate (GPU).

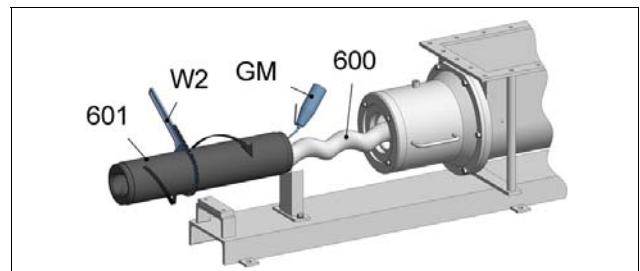


9.1.4.10 Assemble stator (601)

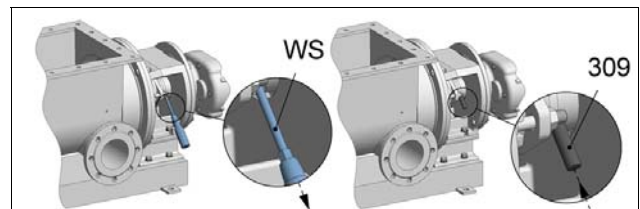
- Insert tool (WS) and turn downwards as locking device for stator assembly.



- Moisten outer surface of rotor (600) with lubricant (GM).
- Moisten inner surface of stator (601) with lubricant (GM).
- Slide stator (601) onto rotor (600) by turning it.
 -  Use tool (W2).

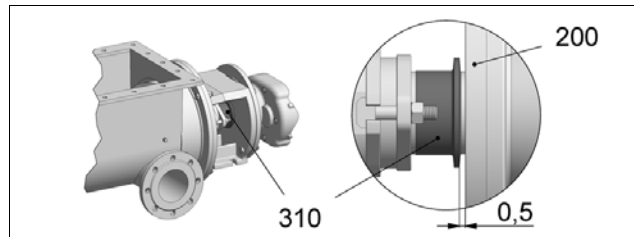


- Remove tool (WS).
- Coat the plug-in shaft pins (309) with anti-seize graphite petroleum (GC) and insert in plug-in shaft (307).



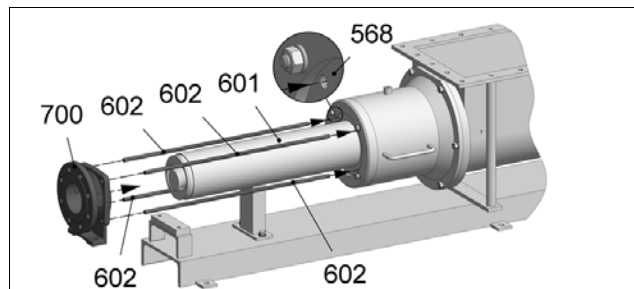
9. Dismantling/reassembly

- Note position of splash ring (310).
- Insert splash ring collar at a distance of 0.5 mm from the lantern (200).

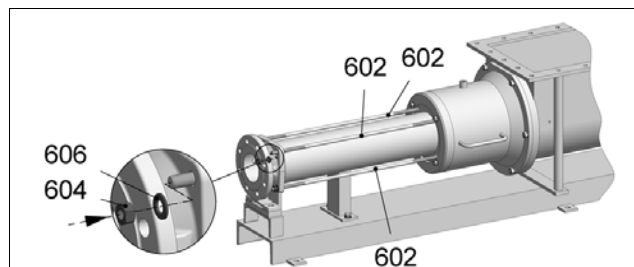


9.1.4.11 Assemble pressure branch (700)

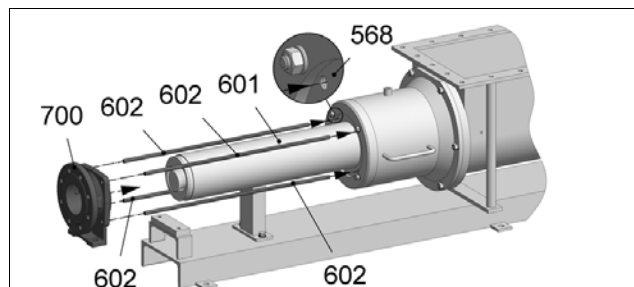
- Slide pressure branch (700) onto stator (601).
- Insert tie bolts (602) loosely into pressure branch (700) and assemble them in stator capture (568).



- Assemble screw fitting (604, 606).
- Tighten tie bolts (602) evenly.



- Assemble pressure branch (700) with screw fitting (SCH) to base plate (GPU).



9.1.4.12 Assemble dry-running protection device (TSE) (optional)


Assemble dry-running protection device (TSE) (optional)

- Observe the chapter Options and additional accessories (→ chapter 12.1).

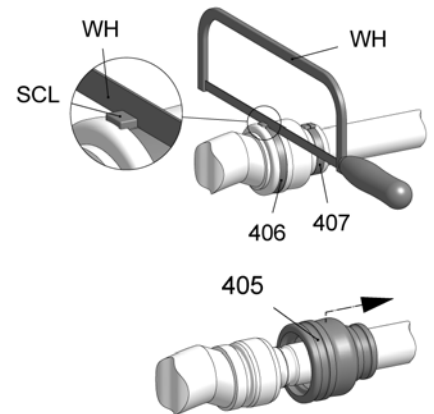
9.2 Rotating unit individual parts

9.2.1 Dismantling

9.2.1.1 Holding band (406, 407) - dismantling

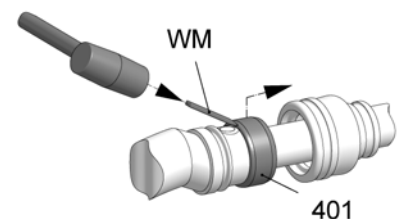
 CAUTION
<p>Danger of injury. Parts might be thrown out.</p> <ul style="list-style-type: none"> ➤ Wear safety glasses.

- Detach holding band loop (**SCL**).
 - Use suitable tool (**WH**).
- Push out parts of holding band loop (**SCL**).
- Remove holding band (**406, 407**).
- Pull back universal joint sleeve (**405**).



9.2.1.2 Retaining sleeve (401) - dismantling

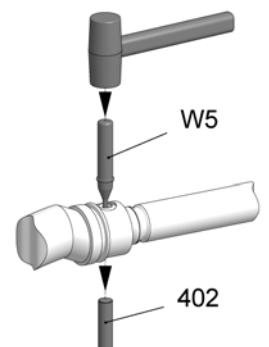
- Knock back retaining sleeve (**401**).
 - Use suitable tool (**WM**).



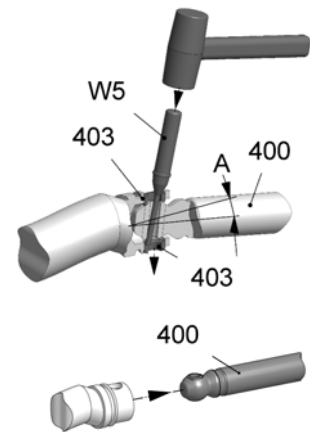
9.2.1.3 Detach joint



- Eject coupling rod pins (**402**).



- Bend (**A**) the coupling rod (**400**). Knock guide bushing (**403**) out with tool (**W5**).

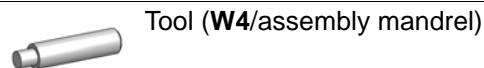


- Remove coupling rod (**400**).

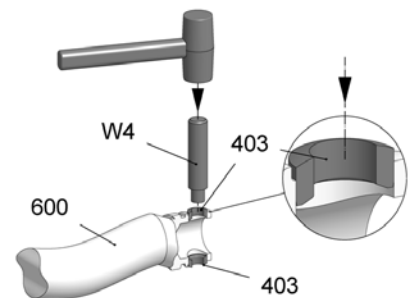
9.2.2 Rotating unit (RTE) - prepare individual parts for reassembly

9.2.2.1 Rotor (600)

- Remove any damage.
- Clean rotor (**600**).

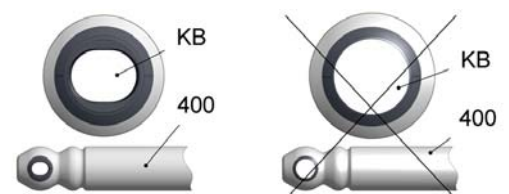


- Press in guide bushings (**403**) (depth = 2/3).
 - Use tool (**W4**).



9.2.2.2 Coupling rod (400)

- Clean the coupling rod (**400**).
- Examine bore head for wear.
 - If wearing is detected on the bore head, replace the coupling rod (**400**).



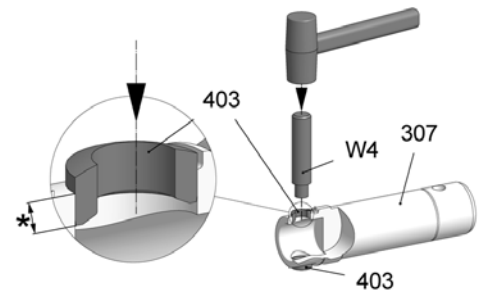
9.2.2.3 Plug-in shaft (307)

- Remove any damage.
- Clean rotor (600).



Tool (W4/assembly mandrel)

- Press in guide bushings (403) (depth = 2/3).
 - Use tool (W4).



9.2.3 Rotating unit (RTE) - individual parts - reassembly

NOTICE

Malfunction of the joints.

Malfunction and/or destruction of joints.

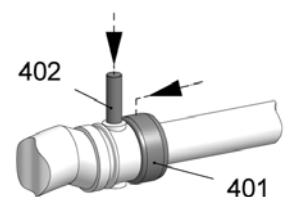
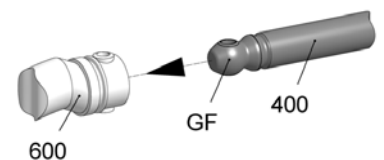
- Replace coupling rod pins (402) and guide bushings (403) jointly.

9.2.3.1 Coupling rod (400) - reassembly

- Slide the universal joint sleeve (405) and holding bands (406, 407) onto coupling rod (400).
- Fit the diameter and width of the holding band of the universal joint sleeve.
- Fill the joint head with seepex joint grease.

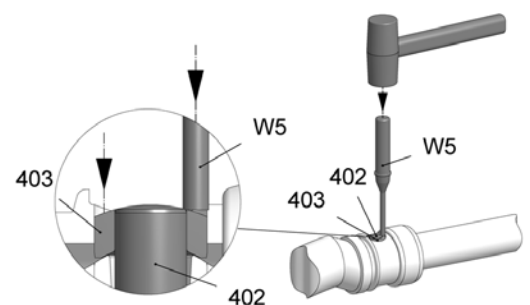
Rotor (600)

- Insert coupling rod pins (402).
- Slide on retaining sleeve (401).
- Connect rotor/coupling rod.



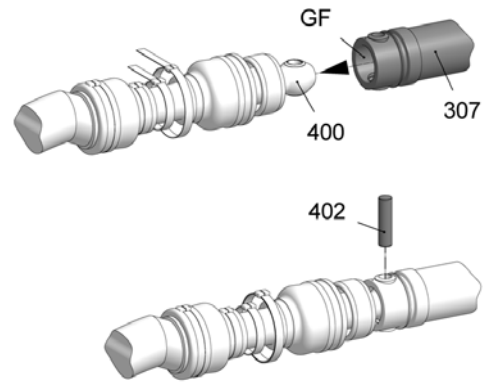
Tool (W5/drift)

- Slide in the coupling rod pins (402).
- Knock the guide bushings (403) in.
 - Use tool (W5).



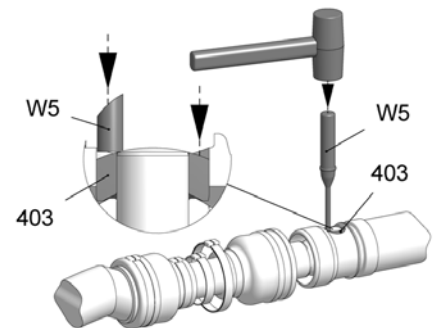
Plug-in shaft (307)

- Insert coupling rod pins (402).
- Slide on retaining sleeve (401).
- Connect plug-in shaft/coupling rod.



Tool (W5/drift)

- Slide in the coupling rod pins (402).
- Knock the guide bushings (403) in.
 - Use tool (W5).

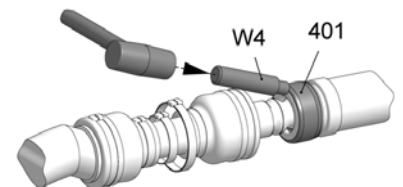


9.2.3.2 Retaining sleeve (401) - reassembly



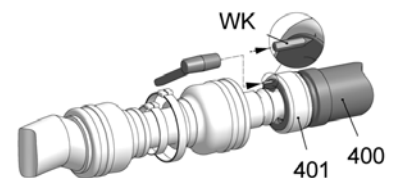
Tool (W4/assembly mandrel)

- Knock back retaining sleeve (401).
 - Use tool (W4).



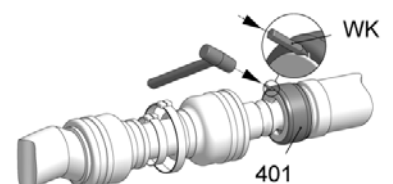
Rotor (600) unhardened material

- Secure retaining sleeve (401) in a displaced manner (2x180°).
 - Use suitable tool (WK).



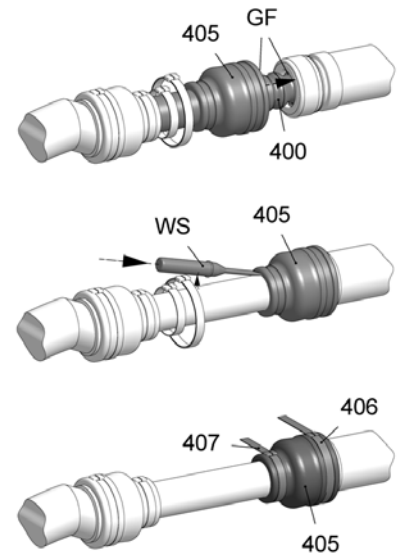
Rotor (600) hardened material

- Secure retaining sleeve (401) in a displaced manner (2x180°).
 - Use suitable tool (WK).



9.2.3.3 Universal joint sleeve (405) - reassembly

- Moisten the surface of coupling rod (400) / inner surface of universal joint sleeve (405) with joint grease (maintenance → chapter 7.).
- Slide on universal joint sleeve (405).
- Remove air from the inside of the joint.
 - Use suitable tool (WS).
- Assemble the holding band.
 - Holding band assembly (→ chapter 9).



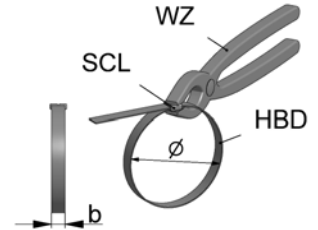
9.3 Holding band - assembly

9.3.1 Prepare the holding band

- Only use prefabricated double-band holding bands may.

9.3.2 Check the holding band

- Bent-over holding band (**HBD**) is in contact with holding band loop (**SCL**) to avoid damaging universal joint sleeve.
- Press on holding band (**HBD**) using tool (**WZ**) if necessary.

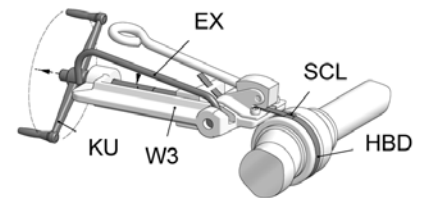


9.3.3 Assemble the holding band



- Use tool (**W3**/mounting tool)

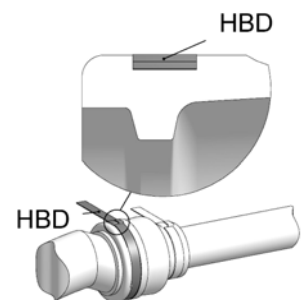
- Feed holding band into tool (**W3**).
- Hold ends of holding band with the eccentric lever (**EX**).
- Turn the crank (**KU**) until the holding band is strained and lies against the holding band loop (**SCL**).
- Carefully pull the holding band together until it is in contact with the circular groove of universal joint sleeve.



9.3.4 Correct tension of holding band (HBD)

Correct

The holding band (**HBD**) has drawn in the out shape of the universal joint sleeve and is firmly seated.



Incorrect

The holding band (**HBD**) is too loose, can slip off.



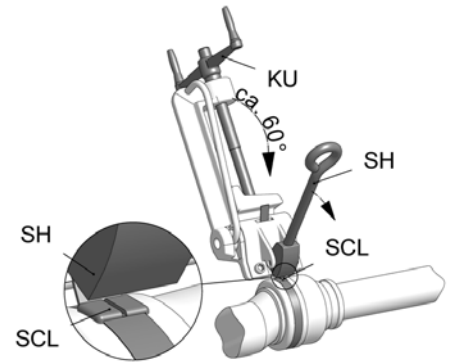
Incorrect

The holding band (**HBD**) is too tight, universal joint sleeve will be damaged/sheared off.



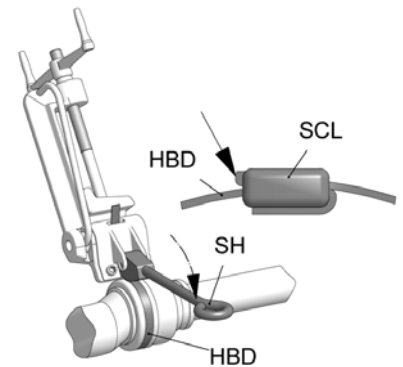
9.3.5 Cant up the holding band

- Swivel mounting tool (**W3**) approx. 60° upwards.
- Loosen crank (**KU**) by a half turn.
- Swivel cutting lever (**SH**) forward until the pressure piece is lying behind the holding band loop (**SCL**).



9.3.6 Shear the holding band (material: 1.4301; 1.4401)

- Hit the cutting lever (**SH**) with the inside of your hand.
 - Cant up and shear the end of the holding band behind the loop (**SCL**).
 - Carefully straighten up the holding band (**HBD**) if it rises up on the sheared side.



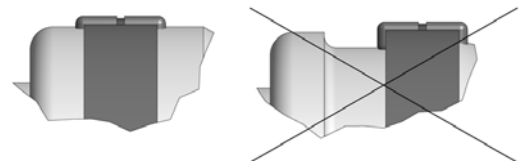
NOTICE

Universal joint seal damage.
Pin joint grease can emerge.

- Avoid hammering or striking.


9.3.7 Check the holding band after assembly

- The holding band must lie in the groove of the universal joint sleeve.
- Replace the holding band if the holding band slips back through the loop.



9.4 / 9.5 Shaft sealing

9.4.1 Safety

 WARNING	
Shaft seal is leaky. Leakage may escape into the atmosphere.	
<ul style="list-style-type: none">➤ Take safety measures to protect persons and the environment.➤ Wear suitable protective clothing.➤ Dispose of leakage appropriately.➤ Note applicable regulations when handling hazardous substances.	

9.4.2 Operating conditions and material combination

- Adjust to the relevant application
 - Design variants you will find at <http://www.seepex.com/en/service/downloads/>.

10.1 Spare parts list

Ordering spare parts

Commission number

The commission number and type are printed on the type plate of your SEEPEX machine.

Type

Request

Order

After placing the order, you will receive an order confirmation and deadline before the parts are shipped.

Your data

First Name

Surname

Company

Department

Street

Postcode, City

Telephone

Fax

E-mail

Our contact data

Customer Service

Fax +49.2041.996-5350

service@seepex.com

10. Spare parts

Order spare parts or complete packages tailored to your pump type.

Spare parts

Plug-in shaft and shaft seal

No.	Component	Qty.
301	Packing ring (set) *	<input type="checkbox"/>
307	Plug-in shaft	<input type="checkbox"/>
309	Plug-in shaft pin	<input type="checkbox"/>
310	Splash ring	<input type="checkbox"/>
330	Mechanical seal *	<input type="checkbox"/>

Coupling rod and joint parts

No.	Component	Qty.
400	Coupling rod	<input type="checkbox"/>
401	Retaining sleeve	<input type="checkbox"/>
402	Coupling rod pin	<input type="checkbox"/>
403	Guide bushing	<input type="checkbox"/>
405	Universal joint sleeve	<input type="checkbox"/>
406	Holding band	<input type="checkbox"/>
407	Holding band	<input type="checkbox"/>
411	Holding band *	<input type="checkbox"/>
412	Holding band *	<input type="checkbox"/>
413	Rubber strip *	<input type="checkbox"/>

Pumping elements

No.	Component	Qty.
600	Rotor	<input type="checkbox"/>
601	Stator	<input type="checkbox"/>

Miscellaneous parts

No.	Component	Qty.
501	Casing gasket	<input type="checkbox"/>
536	O-ring	<input type="checkbox"/>
561	O-ring	<input type="checkbox"/>
569	O-ring	<input type="checkbox"/>
706	Sealing ring	<input type="checkbox"/>
9502	Gasket *	<input type="checkbox"/>
098	Joint grease (GF) = 300 g (~ 315 cm ³) for the required grease quantity refer to chapter 10	<input type="checkbox"/>

Complete packages

Small wearing parts package

consisting of:	Qty.
1 x Retaining sleeve (401) 1 x Coupling rod pin (402) 2 x Guide bushing (403) 1 x Universal joint sleeve (405) 1 x Holding band (406) 1 x Holding band (407) 1 x Casing gasket (501) 1 x Rotor (600) 1 x Stator (601) Joint grease (098)	<input type="checkbox"/>

10. Spare parts

Large wearing parts package

consisting of:

Qty.

- 1 x Packing ring (set) (301)*
- 1 x Plug-in shaft (307)
- 1 x Mechanical seal (330) *
- 1 x Coupling rod (400)
- 2 x Retaining sleeve (401)
- 2 x Coupling rod pin (402)
- 4 x Guide bushing (403)
- 2 x Universal joint sleeve (405)
- 2 x Holding band (406)
- 2 x Holding band (407)
- 1 x Casing gasket (501)
- 1 x O-ring (536)
- 1 x O-ring (561)
- 1 x O-ring (569)
- 1 x Rotor (600)
- 1 x Stator (601)
- Joint grease (098)

* see sectional drawing and parts list (→ chapter 10.2)

Place, date

Signature, company stamp

Version for copying

Spare parts can be ordered online or requested from
www.seepex.com

Must be specified with every order!

Commission:

Mark tool!

Sender:

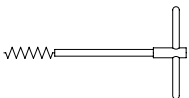

Contact:

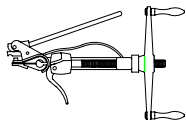
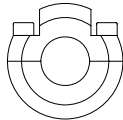
Tel.:

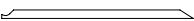
Fax:

E-mail:

Customer service: seepex GmbH Postfach 10 15 64 D-46215 Bottrop service@seepex.com	Germany	Tel +492041.996-231 Fax +492041.996-431	Delivery address:
	Rest of Europe	Tel +492041.996-224 Fax +492041.996-424	
	outside Europe	Tel +492041.996-120 Fax +492041.996-432	

For installation of:	Packing gland	Stator		
Tool no.	W1 <input type="checkbox"/>	W2 <input type="checkbox"/>	<input type="checkbox"/>	<input type="checkbox"/>
Denomination:	Packing puller	Chain wrench plus spare chain		
Order no.	PKZ	KRZ		
				

For installation of:	Rotating unit			
	Holding band	Joint		
Tool no.	W3 <input type="checkbox"/>	W10 <input type="checkbox"/>	<input type="checkbox"/>	<input type="checkbox"/>
Denomination:	Mounting tool	Dismantling tool		
Order no.	MHB	AZV		
				

For installation of:	General			
Tool no.	W9 <input type="checkbox"/>	<input type="checkbox"/>	<input type="checkbox"/>	<input type="checkbox"/>
Denomination:	Mounting lever			
Order no.	MHL			
				

12.1 Accessories/Technical information

- Accessories and technical information are commission specific documents not part of this not binding operating and assembly instruction.

13.1 Manufacturer's and supplier's documents

- Manufacturer's and supplier's documents are commission specific documents and not part of this not binding operating and assembly instruction.

Great Britain

SEEPEX UK Ltd.
3 Armtech Row
Houndstone Business Park
Yeovil Somerset BA22 8RW
Tel +44.1935.472376
Fax +44.1935.479836
sales@seepex.co.uk

Austria

SEEPEX GmbH
Vertriebsbüro Österreich
Obermüllergasse 18
3003 Gablitz
Tel +43.2231.61085
Fax +43.2231.6108520
hfriedl@seepex.com

Belgium

SEEPEX GmbH
Bureau België
Industriezone Klein Gent-Link 21
Welvaartstraat 14-1 bus 15
2200 Herentals
Tel +32.14.501471
Fax +32.14.501461
seepex.be@seepex.com

Denmark

SEEPEX Nordic A/S
Krakasvej 7C
3400 Hillerød
Tel +45.49.192200
Fax + 45.49.193200
info.nordic@seepex.com

France

SEEPEX France SARL
1, Rue Pelloutier
77183 Croissy Beaubourg
Tel +33.1.64114450
Fax + 33.1.64114489
info.fr@seepex.com

Hungary

SEEPEX GmbH
Magyarországi iroda
Hecskó Tamás okl.vill.mérn.
Éva utca 5.
7632 Pécs
Tel +36.205806134
Fax +36.72952587
thcsko@seepex.com

Ireland

SEEPEX UK Ltd.
Branch Office Ireland
29 Lackenfune
Dungarvan
Co. Waterford
Tel +353.860450439
sales@seepex.co.uk

Italy

SEEPEX Italia S.r.l.
Via Alberto da Giussano 23
20145 Milano (MI)
Tel +39.02.36569360
Fax +39.02.92877855
info.it@seepex.com

Poland

SEEPEX GmbH
Przedstawicielstwo w Polsce
ul. Romana Maya 1
61-371 Poznan
Tel +48.61.6469270
Fax +48.61.6469271
info.pl@seepex.com

Sweden

SEEPEX Nordic A/S
Hamndalsvägen 58
61633 Åby
Tel +46.1166940
Fax +46.1166941
info.nordic@seepex.com

Spain

SEEPEX GmbH
Oficina de Representación en España
C/Copenhague, 12
Edif. Tifan Oficina 207
28232 La Rozas
Madrid
Tel +34.91.6361353
Fax +34.91.6409371
info.es@seepex.com

The Netherlands

SEEPEX GmbH
Bureau Nederland
Visbystraat 13
7418 BE Deventer
Tel +31.570.516644
Fax +31.570.516077
seepex.nl@seepex.com

Russia

SEEPEX Ltd. Ugreshskaya
Str. 2 Bldg. 23
115088 Moscow
Tel +7.495.2874830
Fax +7.495.2874830
info.cis@seepex.com

USA

SEEPEX Inc.
511 Speedway Drive
Enon
Ohio 45323
Tel +1.937.8647150
Fax + 1.937.8647157
sales@seepex.net

China

SEEPEX Pumps (Shanghai) Co., Ltd.
Xuanzhong Rd. 399, Building 13
Nanhui Industrial Area
201300 Shanghai
Tel +86.21.38108888
24-Hour Helpline +86.400.7701066
Fax +86.21.38108899
info.cn@seepex.com

India

SEEPEX India Pvt. Ltd.
Office No. 305.
Raheja Arcade Building
Sector 11, C.B.D. Belapur
Navi Mumbai 400614
Tel +91.22.40240434/35
Fax +91.22.40240436
info.ind@seepex.com

Japan

日本シーベックス株式会社
German Industry Park
1-18-2 Hakusan, Midori-ku
Yokohama 226-0006
Tel +81.46.2595931
Fax +81.46.2595941
info.jp@seepex.com

Malaysia

SEEPEX (M) Sdn. Bhd.
No. 2, Jalan 51/203A
Kaw. Perindustrian Tiong Nam
Seksyen 51
46050 Petaling Jaya
Selengor Darul Ehsan
Tel +60.3.88009988
seepex.m@seepex.com

Australia

SEEPEX Australia Pty. Ltd.
Unit 3, 4 Bounty Close
Tuggerah Business Park
NSW 2259
Tel +61.2.43554500
Fax +61.2.43554022
info.au@seepex.com