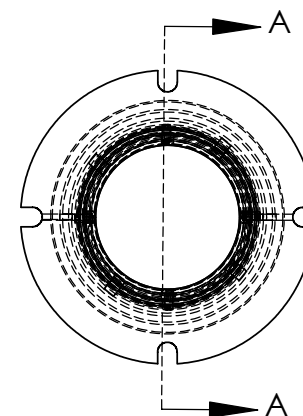


SECTION A-A

ITEM NO.	PART NUMBER	MATERIAL	DESCRIPTION	QTY.
1	W301S	316L	SLEEVE	1
2	W301A1	316L	ROTARY COLLAR	1
3	W301A	SIC	ROTARY INSERT	1
4	W301GR1	316L	GLAND	1
5	W301B1	316L	STATIONARY RETAINER	1
6	W301B	SIC	STATIONARY INSERT	1
7	125X625 PIN	316L	PIN	2
8	-151	VITON	O-RING	1
9	-152	VITON	O-RING	1
10	-243	VITON	O-RING	1
11	-238	VITON	O-RING	1
12	W301CLP		WAUKESHA 320 CLIP	4
13	SSCUPSKT 0.25-28x0.25-HX-N			4
14	SSHDOGSKT 0.164-32x0.375-HX-N			4



PROPRIETARY AND CONFIDENTIAL
 THE INFORMATION CONTAINED IN THIS DRAWING IS THE SOLE PROPERTY OF ZMT, INC. ANY REPRODUCTION IN PART OR AS A WHOLE WITHOUT THE WRITTEN PERMISSION OF ZMT, INC. IS PROHIBITED.

DIMENSIONS ARE IN INCHES UNLESS OTHERWISE SHOWN
 TWO PLACE DECIMAL ±.01
 THREE PLACE DECIMAL ±.005
 BREAK ALL CORNERS .010
 FACES CONCENTRIC & PARALLEL ±.002

MATERIAL

FINISH

DO NOT SCALE DRAWING

NAME	DATE
	1/15/2008
DRAWN	
CHECKED	
ENG APPR.	
MFG APPR.	
Q.A.	
DESCRIPTION:	
WAUKESHA 320 CARTRIDGE SEAL	

ZM Technologies

ZM Technologies

SIZE **A** DWG. NO. **W301** REV.

SCALE:1:4 WEIGHT: SHEET OF