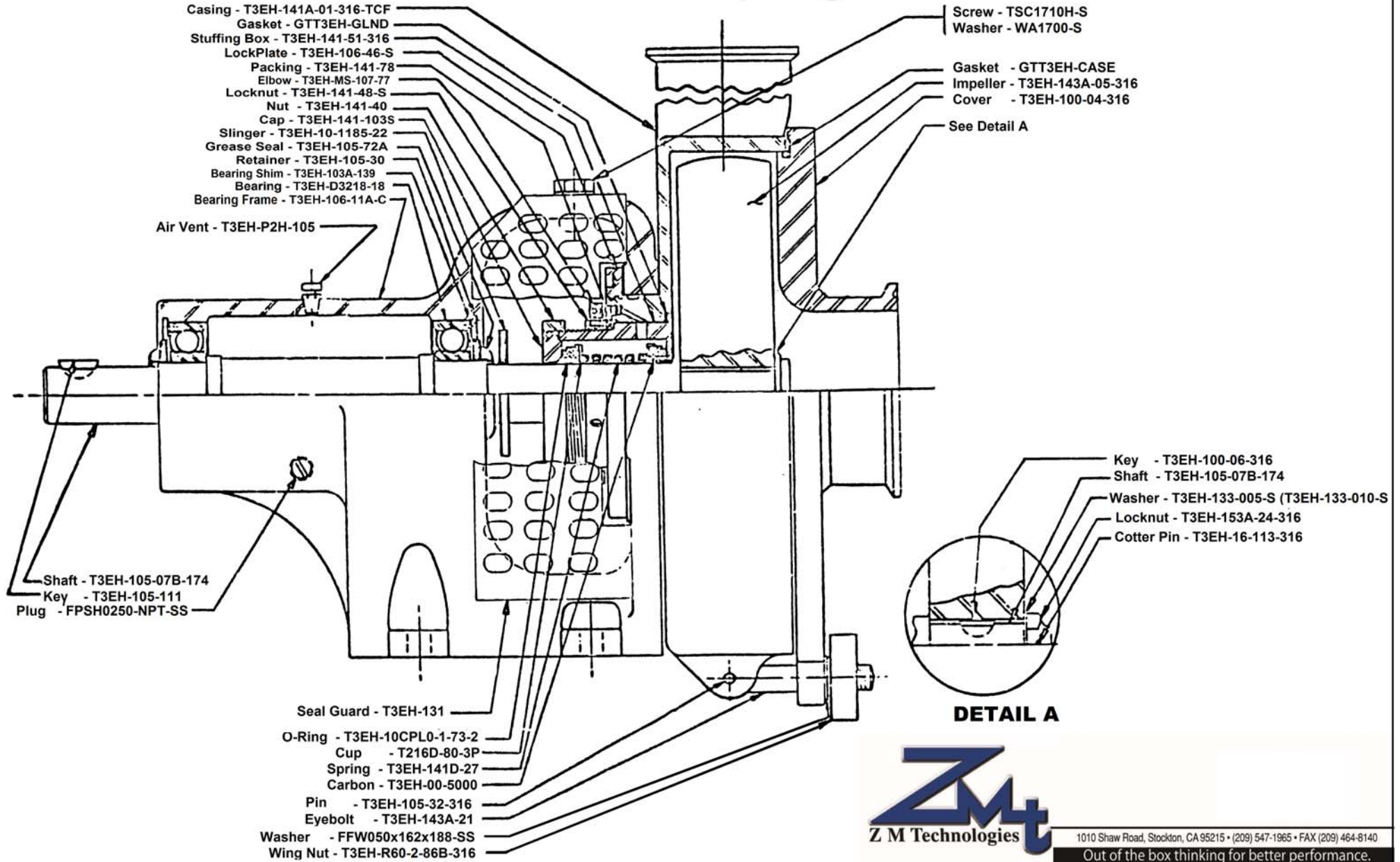


# ZMT T3EH Pump Diagram



**DETAIL A**





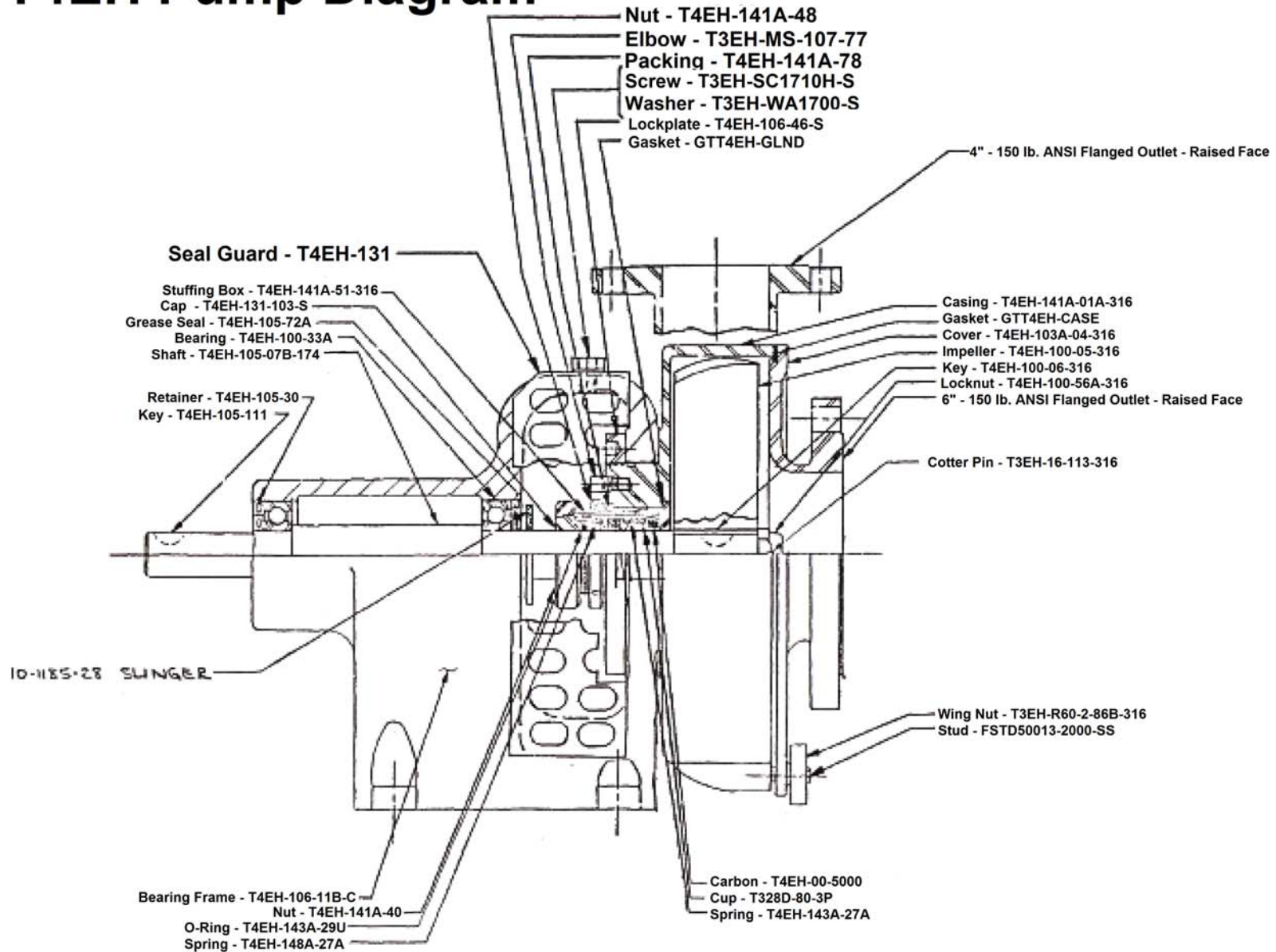
Subject to Change without notice. F.O.B. Stockton, CA Part numbers provided by ZMT, Inc. are for standard seals.

Pump Parts List - Tri-Clover <sup>®</sup> 3EH-Series Centrifugal Pump			
DESCRIPTION	Material	Reference Part No.	ZMT PART NUMBER
Complete 3EH Pump w/Flanges	C.I./316SS		T3EH-P-21E1-1-1125SS
Complete 3EH Pump w/Tri-Clamp	C.I./316SS		T3EH-P-21E4-1-1125SS
Impeller	316SS	3EH-100-05-316	T3EH-100-05-316
Casing	316SS	3EHM-141A-01-316	T3EH-141A-01-316
Shaft	17-4 PH	2-1/2EH-105-07B-316	T3EH-105-07B-316
Stuffing Box	316SS	2-1/2EH-141-51-316	T3EH-141-51-316
Bearing Seal Complete	Buna/316SS	2-1/2EH-105-72A	T3EH-105-72A
Bearing Oil Seal Only	Buna		T3EH-105-72OS
Locknut-Impeller	316SS	2-1/2EH-153A-24-316	T3EH-153A-24-316
Locknut-Stuffing Box	316SS	2-1/2EH-141-48-S	T3EH-141-48-S
Cap Seal	316SS	2-1/2EH-141-103-S	T3EH-141-103-S
Locknut-Casing	316SS	2-1/2EH-106-46-S	T3EH-106-46-S
Retainer	316SS	2-1/2EH-106-30	T3EH-106-30
Case Gasket	EPDM	3EH-100-20	T3EH-100-20
Stuffing Box Gasket	C.N.A.	2-1/2EH-141-79	T3EH-141-79
Packing - EPR	EPDM	2-1/2EH-141-78	T3EH-141-78
Bearing Shim - .005	316SS	2-1/2EH-143A-139-005	T3EH-143A-139-005
Bearing Shim - .010	316SS	2-1/2EH-143A-139-010	T3EH-143A-139-010
Impeller Shim - .005	316SS	SP328-133-005	T3EH-133-005-S
Impeller Shim - .010	316SS	SP328-133-010	T3EH-133-010-S
Pin	304SS	2EJ105-52-S	T3EH-2EJ105-52-S
Eye Bolt	304SS	2-1/2EH-143-A21-S	T3EH-143-A21-S
Nut-Casing	316SS	R60-2-86B-S	T3EH-R60-2-86B-S
Key - Impeller	304SS	2BEH-100-06-316	T3EH-100-06-316

Tri-Clover is a registered trademark of Alfa-Laval, Inc., Tri-Clover, Inc. & its subsidiaries.

Viton<sup>®</sup> - Registered Trademark of DuPont Performance Elastomers.

# ZMT T4EH Pump Diagram





Subject to Change without notice. F.O.B. Stockton, CA Part numbers provided by ZMT, Inc. are for standard seals.

**Pump Parts List - Tri-Clover<sup>®</sup> 4EH-Series Centrifugal Pump**

DESCRIPTION	Material	Reference Part No.	ZMT PART NUMBER
Complete 4EH Pump w/Flanges	C.I./316SS		T4EH-P-21E1-1-1356SS
Complete 4EH Pump w/Tri-Clamp	C.I./316SS		T4EH-P-21E4-1-1356SS
Impeller	316SS	4EH-100-05A-316	T4EH-100-05A-316
Casing	316SS	4EH-141A-01-316SS	T4EH-141A-01-316
Shaft	17-4 PH	4EH-105-07B-316L	T4EH-105-07B-316L
Stuffing Box	316SS	4EH-141-51A-316L	T4EH-141A-51-316
Bearing Seal Complete	Buna/316SS	4EH-105-72A	T4EH-105-72A
Bearing Oil Seal Only	Buna		T4EH-105-72OS
Locknut-Impeller	316SS	4EH-100-56A-316	T4EH-100-56A-316
Locknut-Stuffing Box	316SS	4EH-141-48-S	T4EH-141-48-S
Cap Seal	316SS	4EH-141-103-S	T4EH-141-103-S
Locknut-Casing	316SS	4EH-106-46-S	T4EH-106-46-S
Retainer	316SS	4EH-105-30	T4EH-105-30
Case Gasket	EPDM	4EH-100-20	T4EH-100-20
Stuffing Box Gasket	C.N.A.	4EH-106-79	T4EH-106-79
Packing – EPR	EPDM	4EH-141-78	T4EH-141-78
Bearing Shim - .005	316SS	4EH-143A-139-005	T4EH-143A-139-005
Bearing Shim - .010	316SS	4EH-143A-139-010	T4EH-143A-139-010
Impeller Shim - .005	316SS	4EH-133-005	T4EH-133-005-S
Impeller Shim - .010	316SS	4EH-133-010	T4EH-133-010-S

Tri-Clover is a registered trademark of Alfa-Laval, Inc., Tri-Clover, Inc. & its subsidiaries.

Viton® - Registered Trademark of DuPont Performance Elastomers.