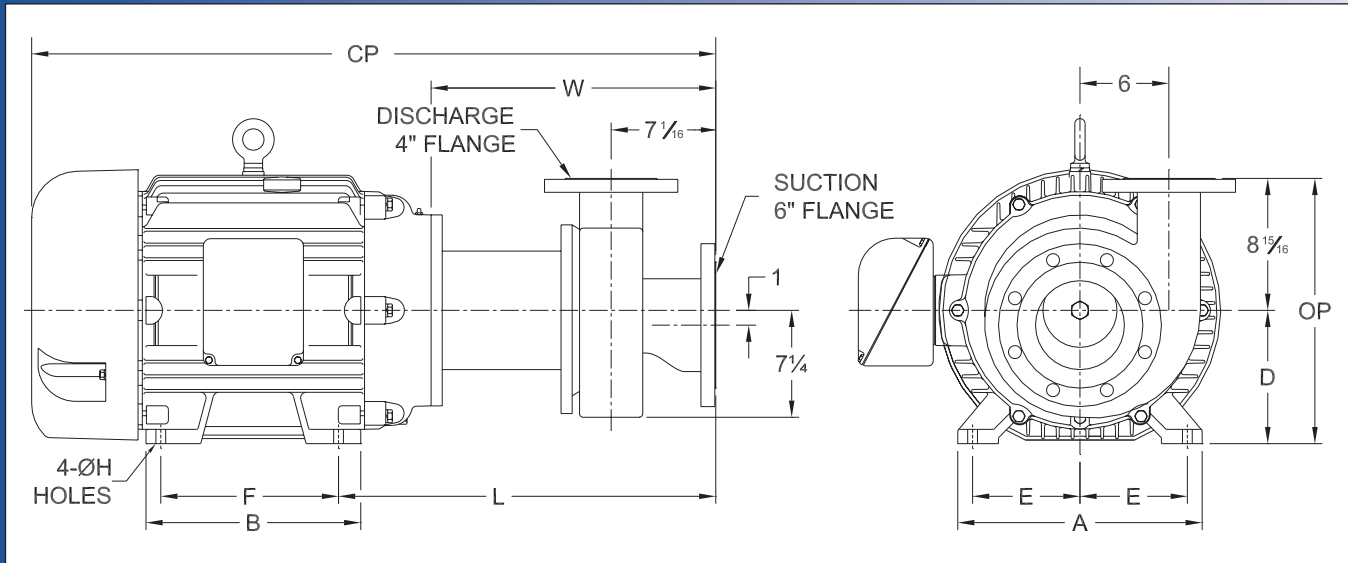
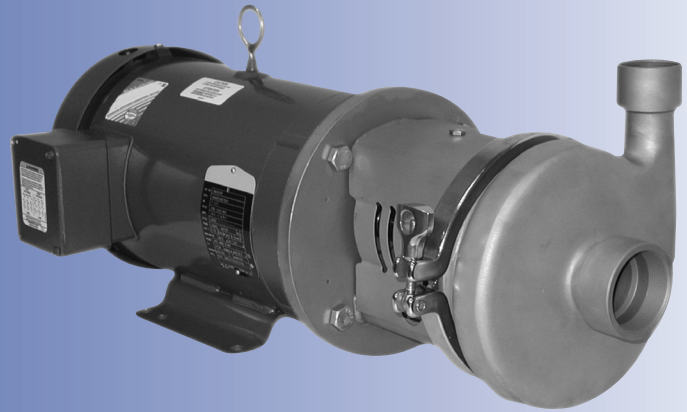


Ampco Centrifugal Pumps

DATA SHEET

MODEL IC+ 6410 6X4



TEFC MOTOR			DIMENSIONS IN INCHES (For Reference Only)										APPROX WEIGHT (LBS)
HP	RPM	FRAME	A (typ)	B (typ)	D	E	F	ØH	L	W	CP	OP	
7-1/2	1750	213TC	9-1/2	8	5-1/4	4-1/4	5-1/2	13/32	21-1/16	16-13/16	32-13/16	14-3/16	230
10	1750	215TC	9-1/2	8	5-1/4	4-1/4	7	13/32	21-1/16	16-13/16	33-13/16	14-3/16	240
15	1750	254TC	11-1/2	11-1/2	6-1/4	5	8-1/4	17/32	21-9/16	16-13/16	34-7/16	15-3/16	358
20	1750	256TC	11-1/2	11-1/2	6-1/4	5	10	17/32	21-9/16	16-13/16	36-9/16	15-3/16	381
25	1750	284TC	12-3/4	12-3/4	7	5-1/2	9-1/2	17/32	22-3/16	17-7/16	40-1/4	15-15/16	514
30	1750	286TC	12-3/4	12-3/4	7	5-1/2	11	17/32	22-3/16	17-7/16	40-1/4	15-15/16	525
20	3500	256TC	11-1/2	11-1/2	6-1/4	5	10	17/32	21-9/16	16-13/16	36-9/16	15-3/16	375
25	3500	284TSC	12-3/4	12-3/4	7	5-1/2	9-1/2	17/32	22-3/16	17-7/16	40-1/4	15-15/16	474
30	3500	286TSC	12-3/4	12-3/4	7	5-1/2	11	17/32	22-3/16	17-7/16	40-1/4	15-15/16	496
40	3500	324TSC	14-1/2	14	8	6-1/4	10-1/2	21/32	24-7/16	19-3/16	42	16-15/16	617
50	3500	326TSC	14-1/2	14	8	6-1/4	12	21/32	24-7/16	19-3/16	42	16-15/16	726
60	3500	364TSC	16-1/2	14-1/2	9	7	11-1/4	21/32	25-1/16	19-3/16	44-1/4	17-15/16	867
75	3500	365TSC	16-1/2	14-1/2	9	7	12-1/4	21/32	25-1/16	19-3/16	44-1/4	17-15/16	893

MATERIAL SPECIFICATIONS

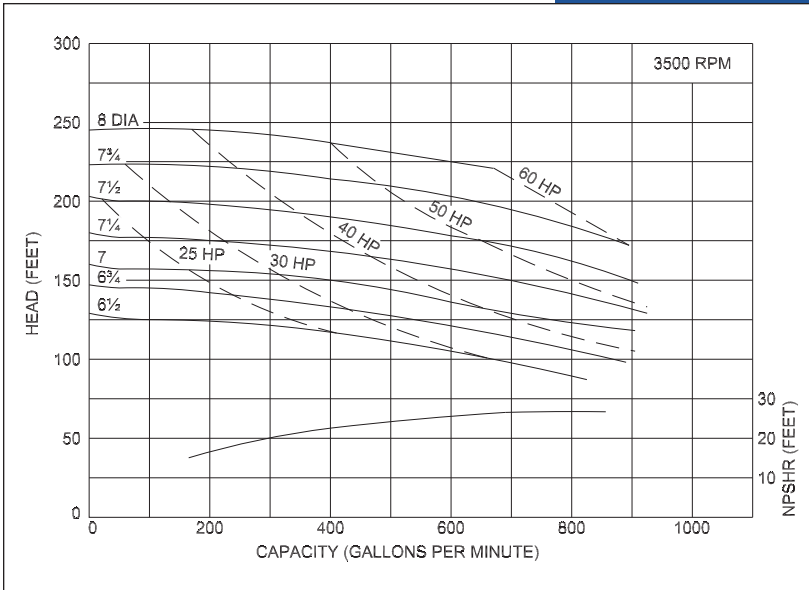
PART NAME	STAINLESS STEEL
Casing	316L Stainless
Backplate, Impeller, Stub Shaft	316 Stainless
Adapter	304 Stainless



Ampco Centrifugal Pumps

MODEL IC+ 6410 6X4

Curves show approximate characteristics
based on clear 68° water.
Rated point is guaranteed.



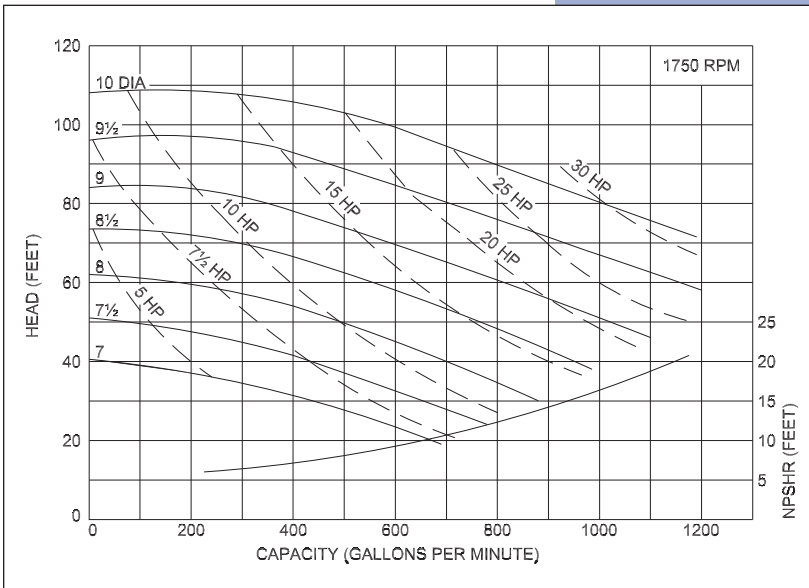
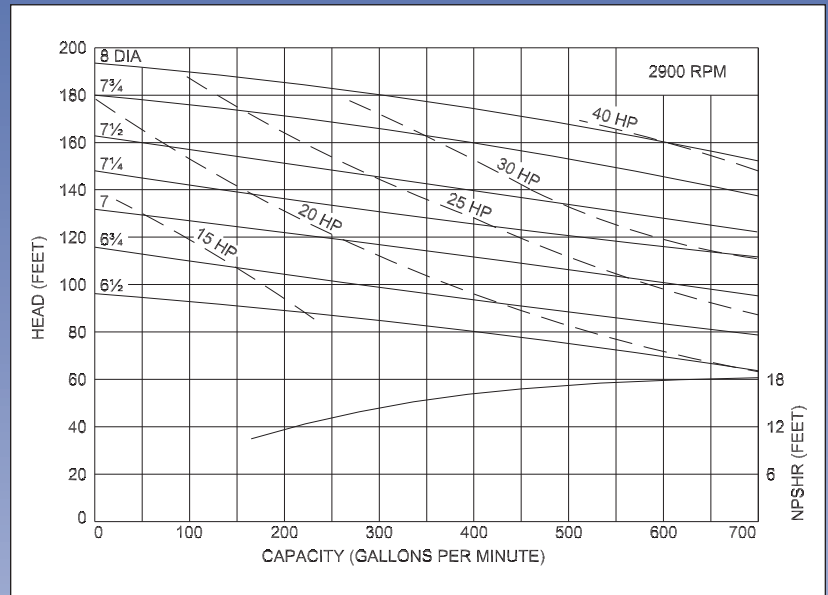
IC+ Series pumps have standard NPT connections.

Flange connections are optional.

IC+ pumps are constructed of 316L stainless steel
with a glass beaded finish.

The standard IC+ mechanical seal is a Type 21
with a ceramic seat, carbon rotating element.
Buna-N elastomers and 304 SS metallics.

Contact the factory for other seal
material options.



Ampco Pumps Company

2045 West Mill Road
Glendale, Wisconsin 53209

PHONE (414) 643-1852

FAX (414) 643-4452