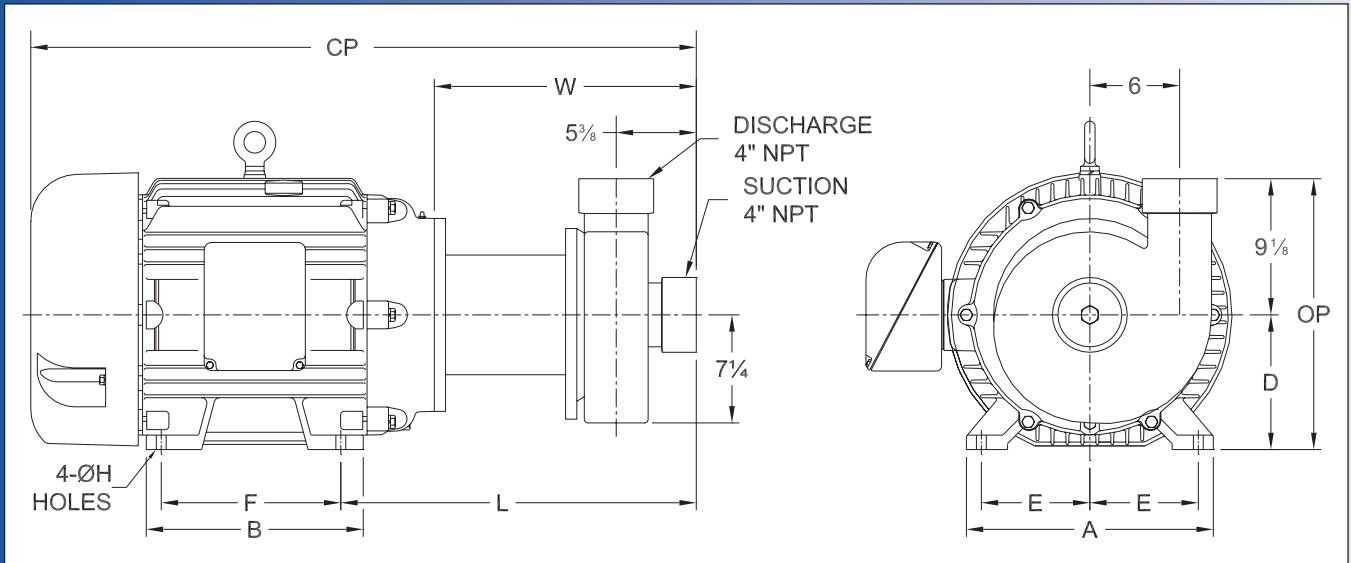
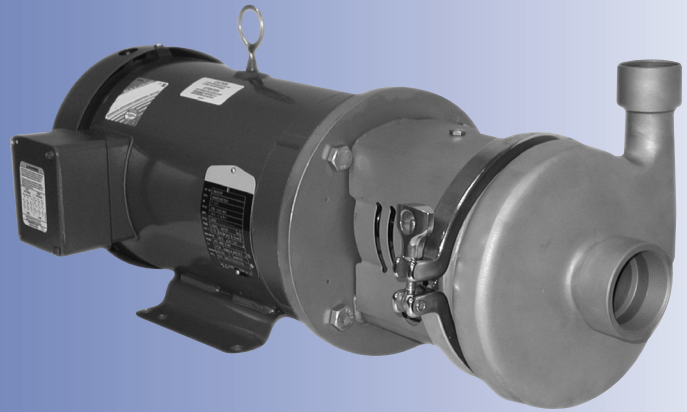


# Ampco Centrifugal Pumps

## DATA SHEET

MODEL IC+ 4410 4X4



TEFC MOTOR			DIMENSIONS IN INCHES (For Reference Only)										APPROX WEIGHT (LBS)
HP	RPM	FRAME	A (typ)	B (typ)	D	E	F	ØH	L	W	CP	OP	
7-1/2	1750	213TC	9-1/2	8	5-1/4	4-1/4	5-1/2	13/32	19-3/8	15-1/8	30-3/8	14-3/8	230
10	1750	215TC	9-1/2	8	5-1/4	4-1/4	7	13/32	19-3/8	15-1/8	32-1/8	14-3/8	240
15	1750	254TC	11-1/2	11-1/2	6-1/4	5	8-1/4	17/32	19-7/8	15-1/8	32-3/4	15-3/8	358
20	1750	256TC	11-1/2	11-1/2	6-1/4	5	10	17/32	19-7/8	15-1/8	34-7/8	15-3/8	381
25	1750	284TC	12-3/4	12-3/4	7	5-1/2	9-1/2	17/32	20-1/2	15-3/4	38-9/16	16-1/8	514
30	1750	286TC	12-3/4	12-3/4	7	5-1/2	11	17/32	20-1/2	15-3/4	38-9/16	16-1/8	525
20	3500	256TC	11-1/2	11-1/2	6-1/4	5	10	17/32	19-7/8	15-1/8	34-7/8	15-3/8	375
25	3500	284TSC	12-3/4	12-3/4	7	5-1/2	9-1/2	17/32	20-1/2	15-3/4	38-9/16	16-1/8	474
30	3500	286TSC	12-3/4	12-3/4	7	5-1/2	11	17/32	20-1/2	15-3/4	38-9/16	16-1/8	496
40	3500	324TSC	14-1/2	14	8	6-1/4	10-1/2	21/32	22-3/4	17-1/2	40-5/16	17-1/8	617
50	3500	326TSC	14-1/2	14	8	6-1/4	12	21/32	22-3/4	17-1/2	40-5/16	17-1/8	726
60	3500	364TSC	16-1/2	14-1/2	9	7	11-1/4	21/32	23-3/8	17-1/2	42-9/16	18-1/8	867
75	3500	365TSC	16-1/2	14-1/2	9	7	12-1/4	21/32	23-3/8	17-1/2	42-9/16	18-1/8	893

### MATERIAL SPECIFICATIONS

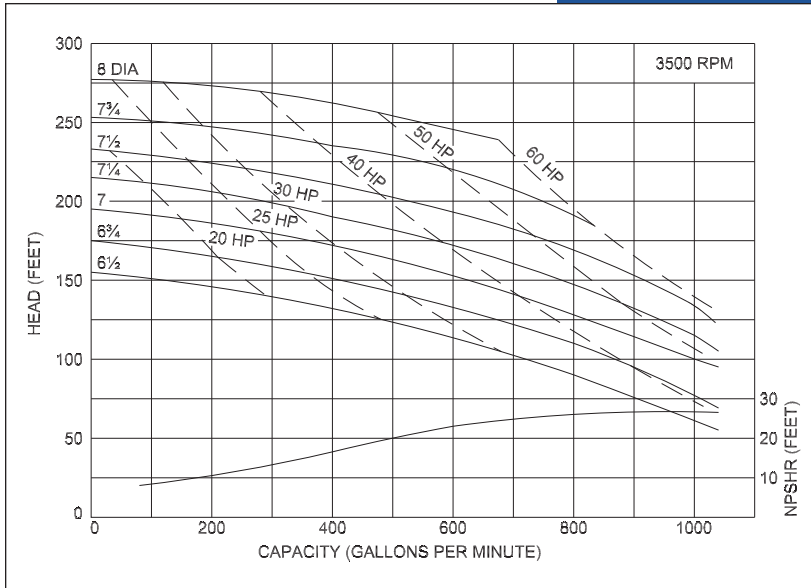
PART NAME	STAINLESS STEEL
Casing	316L Stainless
Backplate, Impeller, Stub Shaft	316 Stainless
Adapter	304 Stainless



# Ampco Centrifugal Pumps

## MODEL IC+ 4410 4X4

Curves show approximate characteristics  
based on clear 68° water.  
Rated point is guaranteed.



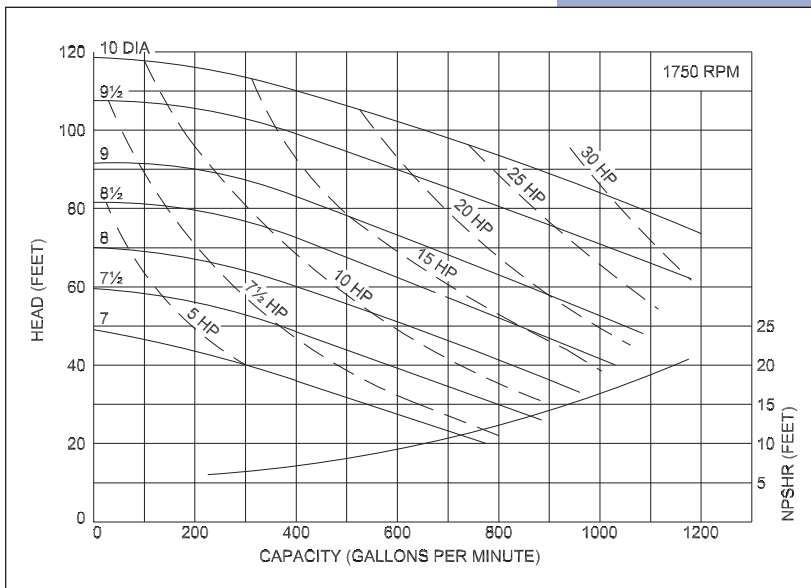
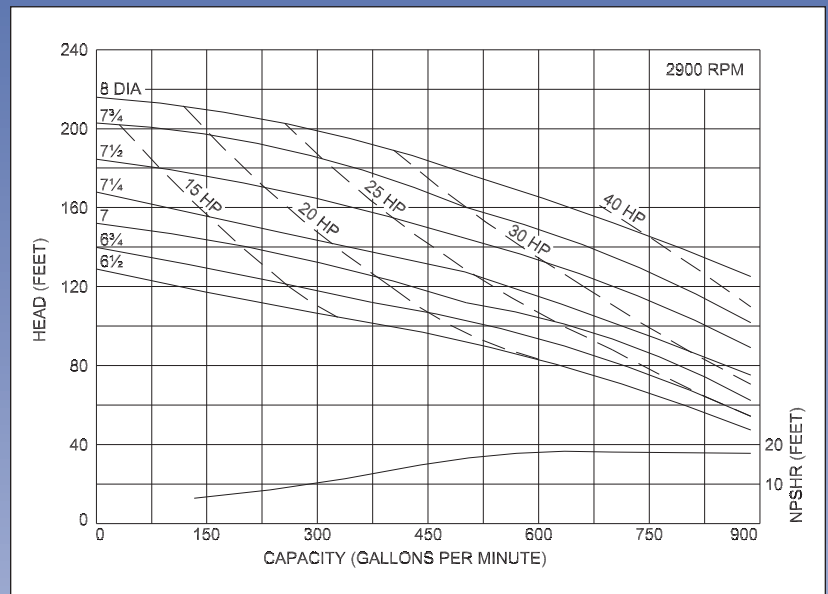
IC+ Series pumps have standard NPT connections.

Flange connections are optional.

IC+ pumps are constructed of 316L stainless steel  
with a glass beaded finish.

The standard IC+ mechanical seal is a Type 21  
with a ceramic seat, carbon rotating element.  
Buna-N elastomers and 304 SS metallics.

Contact the factory for other seal  
material options.



# Ampco Pumps Company

2045 West Mill Road  
Glendale, Wisconsin 53209

PHONE (414) 643-1852

FAX (414) 643-4452