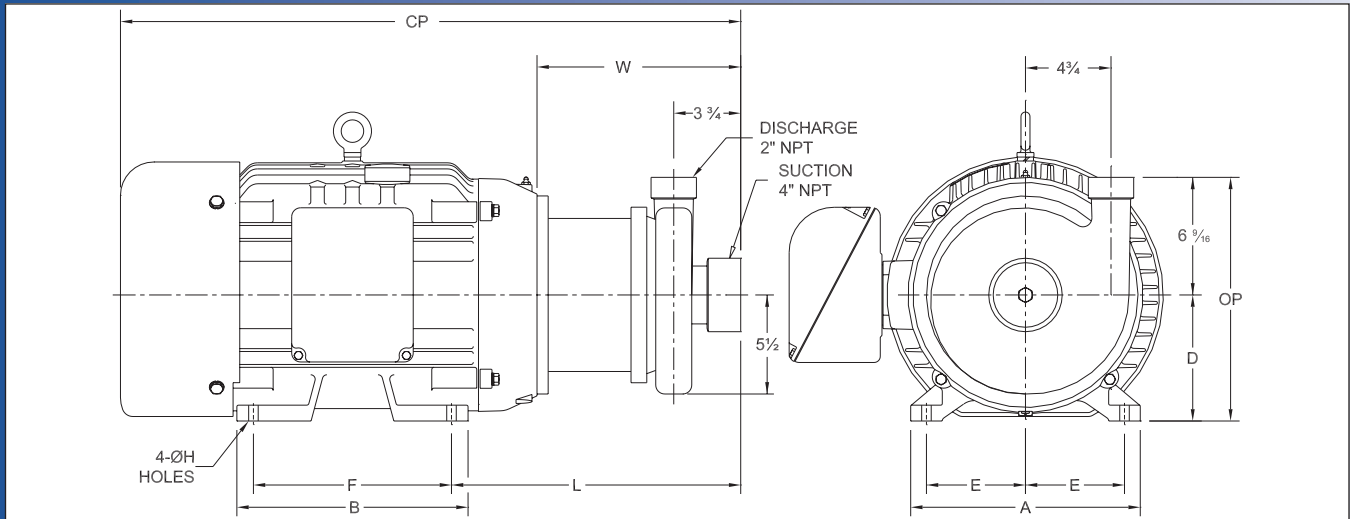
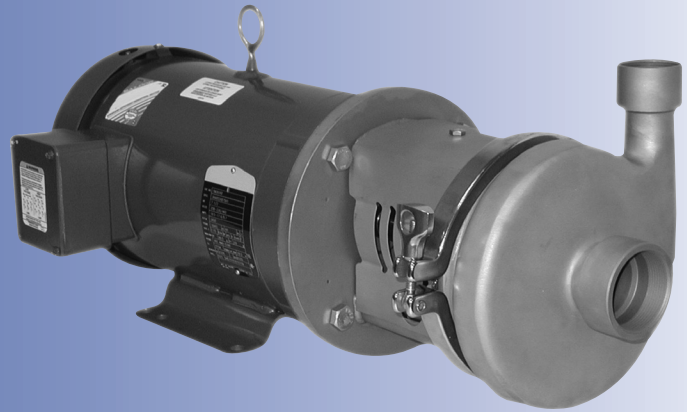


# Ampco Centrifugal Pumps

## DATA SHEET

MODEL IC+ 428 4X2



TEFC MOTOR			DIMENSIONS IN INCHES (For Reference Only)										APPROX WEIGHT (LBS)
HP	RPM	FRAME	A (typ)	B (typ)	D	E	F	ØH	L	W	CP	OP	
2	1750	145TC	6-1/2	6	3-1/2	2-3/4	5	11/32	13-1/16	10-5/16	20-15/16	10-1/32	97
3	1750	182TC	8-5/8	6-1/2	4-1/2	3-3/4	4-1/2	13/16	17-7/16	10-15/16	24-1/16	11-1/32	124
5	1750	184TC	8-5/8	6-1/2	4-1/2	3-3/4	5-1/2	13/16	17-7/16	10-15/16	25-7/16	11-1/32	131
7-1/2	1750	213TC	9-1/2	8	5-1/4	4-1/4	5-1/2	13/32	15-9/16	11-5/16	25-15/16	11-25/32	183
10	1750	215TC	9-1/2	8	5-1/4	4-1/4	7	13/32	15-9/16	11-5/16	27-11/16	11-25/32	193
5	3500	184TC	8-5/8	6-1/2	4-1/2	3-3/4	5-1/2	13/32	14-7/16	10-15/16	25-7/16	11-1/32	126
7-1/2	3500	184TC	8-5/8	6-1/2	4-1/2	3-3/4	5-1/2	13/32	14-7/16	10-15/16	25-7/16	11-1/32	144
7-1/2	3500	213TC	9-1/2	8	5-1/4	4-1/4	5-1/2	13/32	15-9/16	11-5/16	25-15/16	11-25/32	146
10	3500	215TC	9-1/2	8	5-1/4	4-1/4	7	13/32	15-9/16	11-5/16	27-11/16	11-25/32	179
15	3500	215TC	9-1/2	8	5-1/4	4-1/4	7	13/32	15-9/16	11-5/16	27-11/16	11-25/32	219
20	3500	256TC	11-1/2	11-1/2	6-1/4	5	10	17/32	16-15/16	12-3/16	29-13/16	12-25/32	328
25	3500	284TSC	12-3/4	12-3/4	7	5-1/2	9-1/2	17/32	17-9/16	12-13/16	32-9/16	13-17/32	420
30	3500	286TSC	12-3/4	12-3/4	7	5-1/2	11	17/32	17-9/16	12-13/16	35-15/16	13-17/32	442
40	3500	324TSC	14-1/2	14	8	6-1/4	10-1/2	21/32	18-5/8	13-3/8	35-7/8	14-17/32	549
50	3500	326TSC	14-1/2	14	8	6-1/4	12	21/32	18-5/8	13-3/8	37-1/2	14-17/32	651

## MATERIAL SPECIFICATIONS

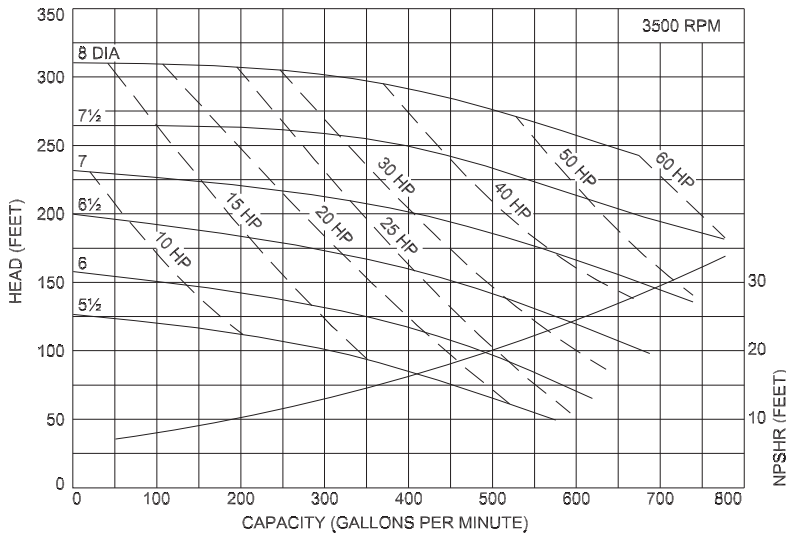
PART NAME	STAINLESS STEEL
Casing	316L Stainless
Backplate, Impeller, Stub Shaft	316 Stainless
Adapter	304 Stainless



# Ampco Centrifugal Pumps

## MODEL IC+ 428 4X2

Curves show approximate characteristics  
based on clear 68° water.  
Rated point is guaranteed.



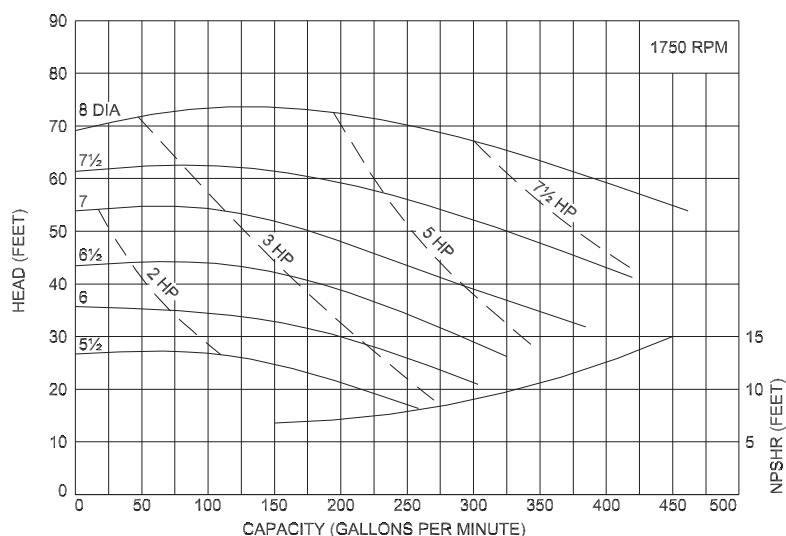
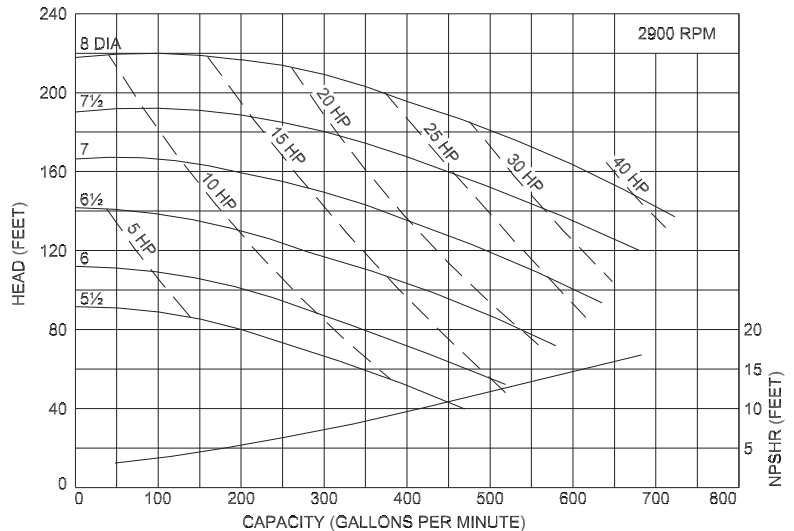
IC+ Series pumps have standard NPT connections.

Flange connections are optional.

IC+ pumps are constructed of 316L stainless steel  
with a glass beaded finish.

The standard IC+ mechanical seal is a Type 21  
with a ceramic seat, carbon rotating element.  
Buna-N elastomers and 304 SS metallics.

Contact the factory for other seal  
material options.



# Ampco Pumps Company

2045 West Mill Road  
Glendale, Wisconsin 53209

PHONE (414) 643-1852

FAX (414) 643-4452