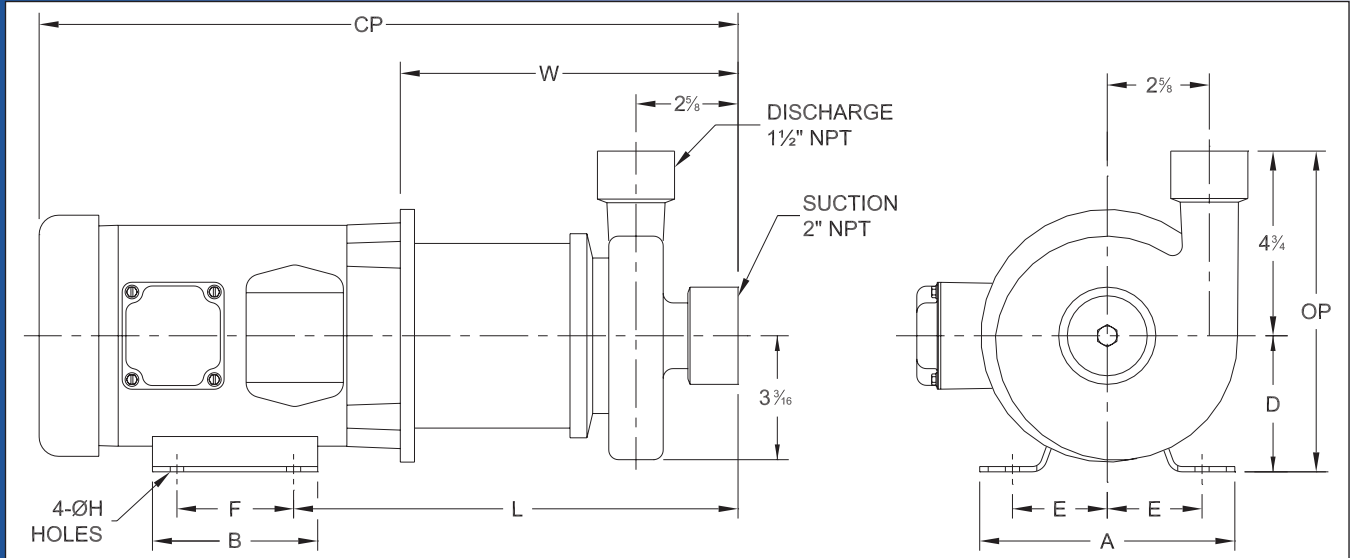
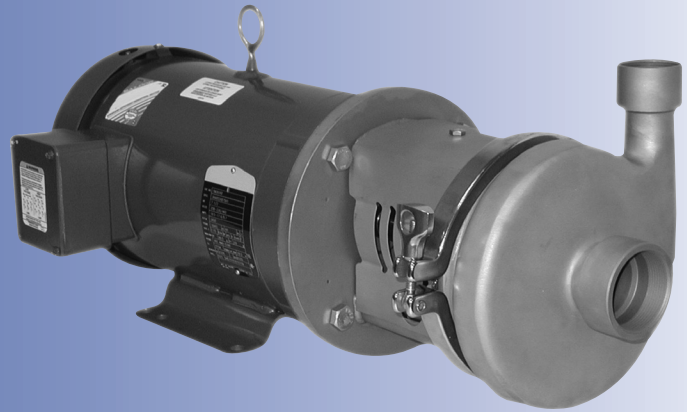


Ampco Centrifugal Pumps

DATA SHEET

MODEL IC+ 214 2X1 1/2



TEFC MOTOR			DIMENSIONS IN INCHES (For Reference Only)										APPROX WEIGHT (LBS)
HP	RPM	FRAME	A (typ)	B (typ)	D	E	F	ØH	L	W	CP	OP	
1/4	1750	56C	6-9/16	4-1/4	3-1/2	2-7/16	3	7/16	11-1/2	8-3/4	17-31/32	8-1/4	20
1/2	1750	56C	6-9/16	4-1/4	3-1/2	2-7/16	3	7/16	11-1/2	8-3/4	17-31/32	8-1/4	20
1/2	1750	56C	6-9/16	4-1/4	3-1/2	2-7/16	3	7/16	11-1/2	8-3/4	17-31/32	8-1/4	41
3/4	3500	56C	6-9/16	4-1/4	3-1/2	2-7/16	3	7/16	11-1/2	8-3/4	17-31/32	8-1/4	42
1	3500	56C	6-9/16	4-1/4	3-1/2	2-7/16	3	7/16	11-1/2	8-3/4	17-31/32	8-1/4	44
1-1/2	3500	56C	6-9/16	4-1/4	3-1/2	2-7/16	3	7/16	11-1/2	8-3/4	18-31/32	8-1/4	59
1-1/2	3500	143TC	6-1/2	6	3-1/2	2-3/4	5	11/32	11-1/2	8-3/4	19-31/32	8-1/4	59
2	3500	56C	6-9/16	4-1/4	3-1/2	2-7/16	3	7/16	11-1/2	8-3/4	18-31/32	8-1/4	73
2	3500	145TC	6-1/2	6	3-1/2	2-3/4	5	11/32	11-1/2	8-3/4	19-31/32	8-1/4	66
3	3500	145TC	6-1/2	6	3-1/2	2-3/4	5	11/32	11-1/2	8-3/4	19-31/32	8-1/4	75
5	3500	184TC	8-5/8	6-1/2	4-1/2	3-3/4	5-1/2	13/32	12-7/8	9-3/8	24-15/32	9-1/4	98

MATERIAL SPECIFICATIONS

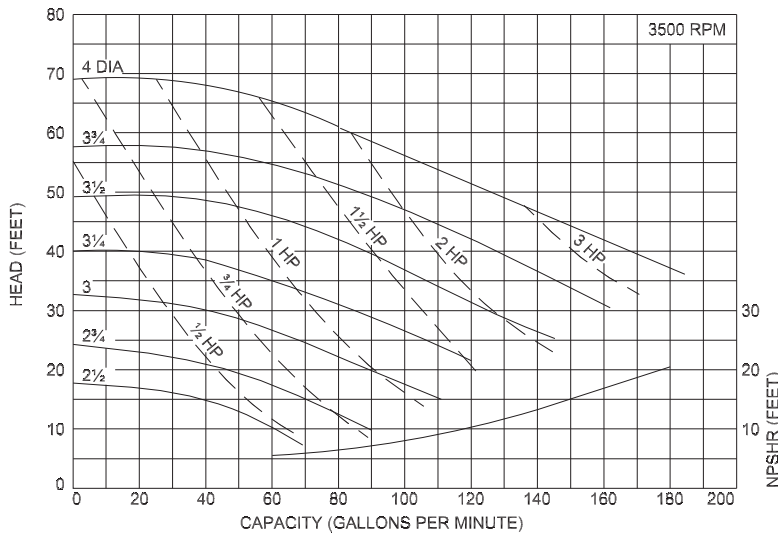
PART NAME	STAINLESS STEEL
Casing	316L Stainless
Backplate, Impeller, Stub Shaft	316 Stainless
Adapter	304 Stainless



Ampco Centrifugal Pumps

MODEL IC+ 214 2X1 1/2

Curves show approximate characteristics
based on clear 68° water.
Rated point is guaranteed.



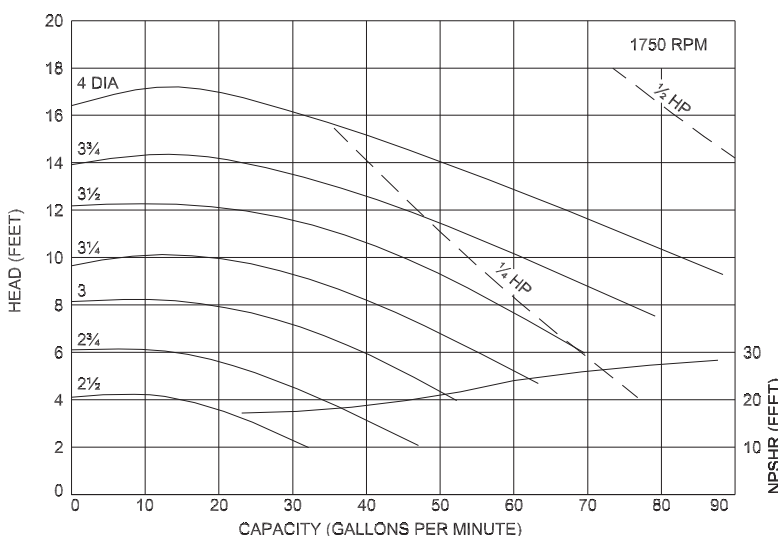
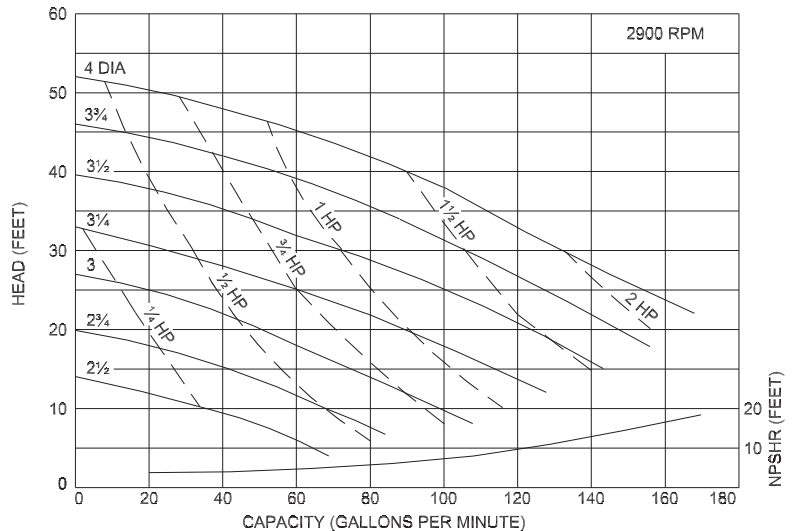
IC+ Series pumps have standard NPT connections.

Flange connections are optional.

IC+ pumps are constructed of 316L stainless steel
with a glass beaded finish.

The standard IC+ mechanical seal is a Type 21
with a ceramic seat, carbon rotating element.
Buna-N elastomers and 316 SS metallics.

Contact the factory for other seal
material options.



Ampco Pumps Company

2045 West Mill Road
Glendale, Wisconsin 53209

PHONE (414) 643-1852

FAX (414) 643-4452