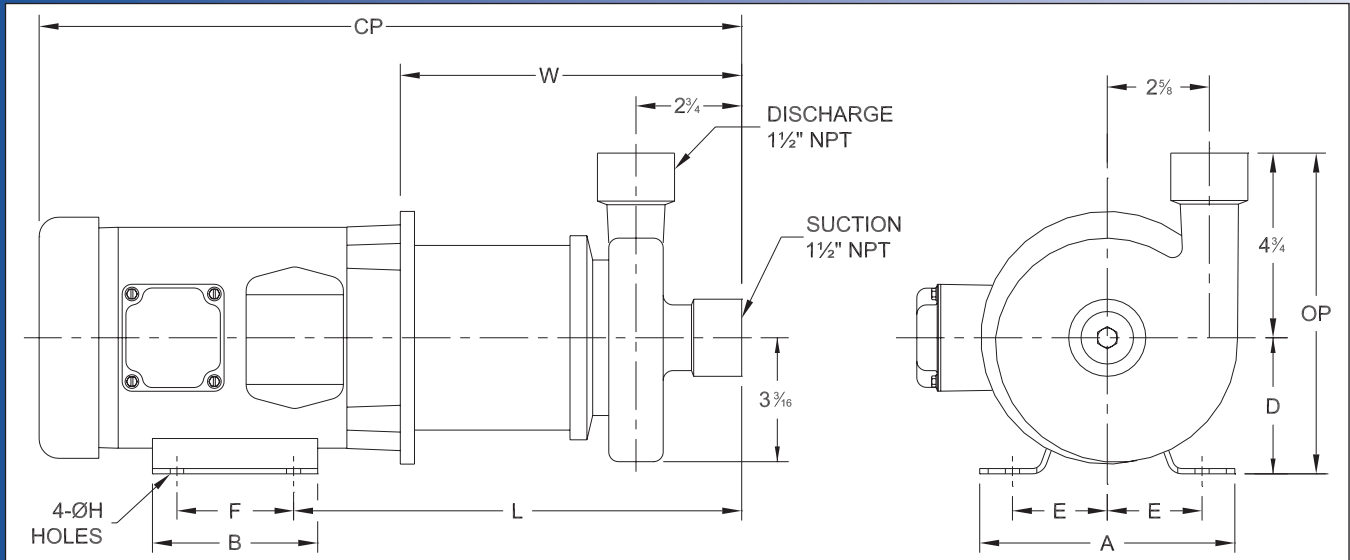
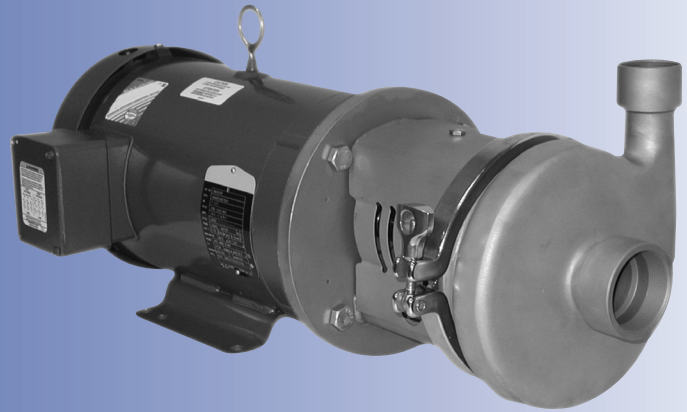


# Ampco Centrifugal Pumps

## DATA SHEET

MODEL IC+ 1 1/2 X 1 1/2



| TEFC MOTOR |      |       | DIMENSIONS IN INCHES (For Reference Only) |         |       |        |       |       |          |         |         |       | APPROX WEIGHT (LBS) |
|------------|------|-------|---|---------|-------|--------|-------|-------|----------|---------|---------|-------|---------------------|
| HP         | RPM  | FRAME | A (typ)                                   | B (typ) | D     | E      | F     | ØH    | L        | W       | CP      | OP    |                     |
| 1/4        | 1750 | 56C   | 6-9/16                                    | 4-1/4   | 3-1/2 | 2-7/16 | 3     | 7/16  | 11-9/16  | 8-13/16 | 18-1/16 | 8-1/4 | 20                  |
| 1/2        | 1750 | 56C   | 6-9/16                                    | 4-1/4   | 3-1/2 | 2-7/16 | 3     | 7/16  | 11-9/16  | 8-13/16 | 18-1/16 | 8-1/4 | 20                  |
| 1/2        | 1750 | 56C   | 6-9/16                                    | 4-1/4   | 3-1/2 | 2-7/16 | 3     | 7/16  | 11-9/16  | 8-13/16 | 18-1/16 | 8-1/4 | 41                  |
| 3/4        | 3500 | 56C   | 6-9/16                                    | 4-1/4   | 3-1/2 | 2-7/16 | 3     | 7/16  | 11-9/16  | 8-13/16 | 18-1/16 | 8-1/4 | 42                  |
| 1          | 3500 | 56C   | 6-9/16                                    | 4-1/4   | 3-1/2 | 2-7/16 | 3     | 7/16  | 11-9/16  | 8-13/16 | 18-1/16 | 8-1/4 | 44                  |
| 1-1/2      | 3500 | 56C   | 6-9/16                                    | 4-1/4   | 3-1/2 | 2-7/16 | 3     | 7/16  | 11-9/16  | 8-13/16 | 19-1/16 | 8-1/4 | 59                  |
| 1-1/2      | 3500 | 143TC | 6-1/2                                     | 6       | 3-1/2 | 2-3/4  | 5     | 11/32 | 11-9/16  | 8-13/16 | 20-1/16 | 8-1/4 | 59                  |
| 2          | 3500 | 56C   | 6-9/16                                    | 4-1/4   | 3-1/2 | 2-7/16 | 3     | 7/16  | 11-9/16  | 8-13/16 | 19-1/16 | 8-1/4 | 73                  |
| 2          | 3500 | 145TC | 6-1/2                                     | 6       | 3-1/2 | 2-3/4  | 5     | 11/32 | 11-9/16  | 8-13/16 | 20-1/16 | 8-1/4 | 66                  |
| 3          | 3500 | 145TC | 6-1/2                                     | 6       | 3-1/2 | 2-3/4  | 5     | 11/32 | 11-9/16  | 8-13/16 | 20-1/16 | 8-1/4 | 75                  |
| 5          | 3500 | 184TC | 8-5/8                                     | 6-1/2   | 4-1/2 | 3-3/4  | 5-1/2 | 13/32 | 12-15/16 | 9-7/16  | 24-9/16 | 9-1/4 | 98                  |

## MATERIAL SPECIFICATIONS

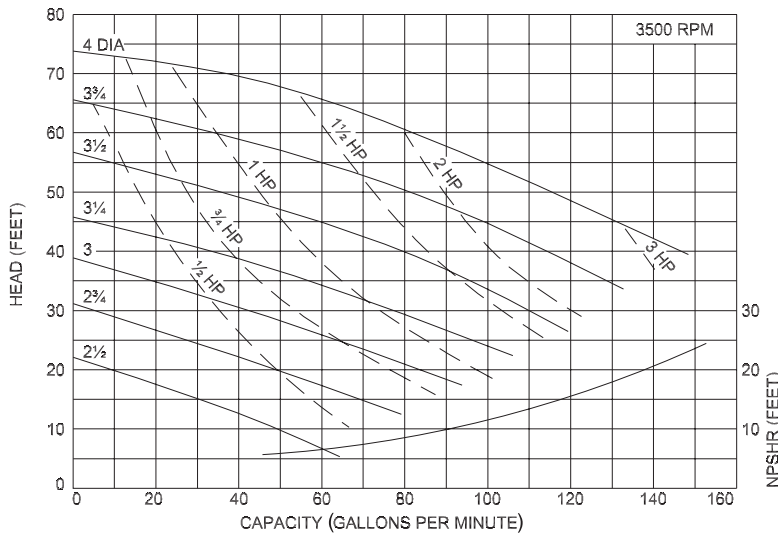
| PART NAME                       | STAINLESS STEEL |
|---------------------------------|-----------------|
| Casing                          | 316L Stainless  |
| Backplate, Impeller, Stub Shaft | 316 Stainless   |
| Adapter                         | 304 Stainless   |



# Ampco Centrifugal Pumps

MODEL IC+ 1 1/4 1 1/2 X 1 1/2

Curves show approximate characteristics  
based on clear 68° water.  
Rated point is guaranteed.



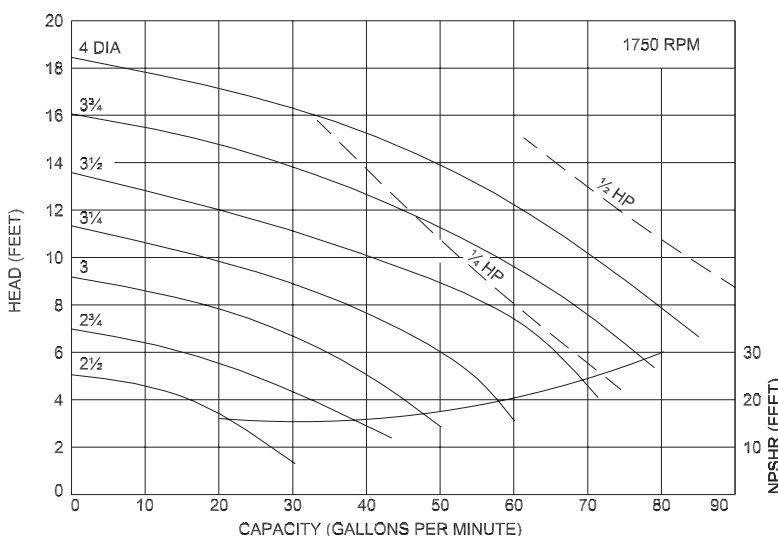
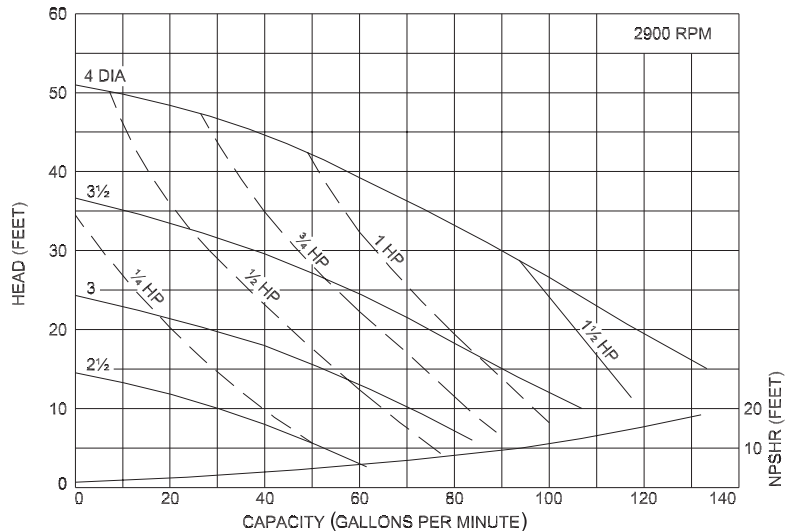
IC+ Series pumps have standard NPT connections.

Flange connections are optional.

IC+ pumps are constructed of 316L stainless steel  
with a glass beaded finish.

The standard IC+ mechanical seal is a Type 21  
with a ceramic seat, carbon rotating element.  
Buna-N elastomers and 304 SS metallics.

Contact the factory for other seal  
material options.



# Ampco Pumps Company

2045 West Mill Road  
Glendale, Wisconsin 53209

PHONE (414) 643-1852

FAX (414) 643-4452