

Not Binding Operating and Assembly Instruction Progressive Cavity Pump

This operating and assembly instruction is only
for general information.

Type
BN 52-6LS up to 130-6LS

1	Safety	1
	1.1 Notes on these instructions	
	1.2 Safety-related Information	
	1.3 Designated use	
	1.4 Foreseeable misuse	
	1.5 Structure of warning notes	
	1.5.1 Warning levels	
	1.5.2 Warning symbols	
	1.6 Qualification of the personnel	
	1.7 Tasks, notes for the owners, operators and technicians	
	1.8 Personal protective equipment	
	1.9 Safety and protective devices	
2	Description of the machine	9
	2.1 General description	
	2.2 Mode of action and pumping principle of the machine	
	2.3 Constructive design	
3	Technical Data	11
4	Transport, Intermediate storage, Disposal	13
	4.1 Safety	
	4.2 Transport	
	4.2.1 Dimensions, weight and centre of gravity	
	4.2.2 Symbol	
	4.2.3 Lashing points (AP) for lifting devices	
	4.2.4 Unpacking the machine	
	4.3 Temporary storage/corrosion protection	
	4.4 Disposal	
5	Assembly / Installation	15
	5.1 Mounting tools / lifting gear	
	5.2 Space requirement	
	5.3 Assembly of the complete mounted machine	
	5.4 Power supply of the machine	
	5.5 Pipelines	
6	Commissioning / De-Commissioning	17
	6.1 Commissioning report.....	17

6.2	Measures before commissioning.....	19
6.2.1	Checking pipelines	
6.2.2	Protective devices on the pump	
6.2.3	Electrical / hydraulic connections	
6.2.4	Direction of rotation check	
6.2.5	Additional devices - optional	
6.3	Initial commissioning/repeated commissioning	
6.3.1	Avoiding dry running of the pump	
6.3.2	Pressure in the suction and pressure connection	
6.4	De-commissioning	
6.4.1	Switching off the pump	
6.4.2	Emptying the pump	
6.4.3	Dismantling the pump	
6.4.4	Preservation/storage of the pump	
7	Maintenance.....	23
7.1	Preventative measures	
7.1.1	Machine down-time	
7.2	Lubrication	
7.2.1	Joint grease	
7.3	Inspection	
8	Malfunctions, causes, rectification.....	25
9	Dismantling / Reassembly.....	27
	Dismantling / Reassembly of the machine	
9.1	Dismantling	
9.2	Reassembly	
9.4	Mechanical seal.....	63
9.4.1	Safety	
9.4.2	Application conditions and material version	
10	Spare parts.....	65
10.1	Order template for spare parts.....	67
11	Special tools.....	71
12	Associated documents.....	73
13	Appendix.....	75
13.1	Manufacturer's documents / suppliers	

Subsidiaries

1.1 Notes on these instructions

1.1.1 General notes

- Always keep the operating and maintenance instructions close by the machine.
- If problems cannot be solved with reference to the operating and maintenance instructions, please contact SEEPEX.

Observe the following points in addition to these operating and maintenance instructions:

- Prohibition, warning and mandatory signs, warning notes on the machine
- Relevant laws and ordinances
- Statutory provisions on accident prevention
- Corresponding harmonised standards and regulations

1.1.2 Validity of these instructions

- These operating and assembly instructions are valid exclusively for machines with the commission no. specified on the cover sheet.
- The operating and assembly instructions are correlated with the SEEPEX machine by means of the commission no. on the type plate (**TYS**).

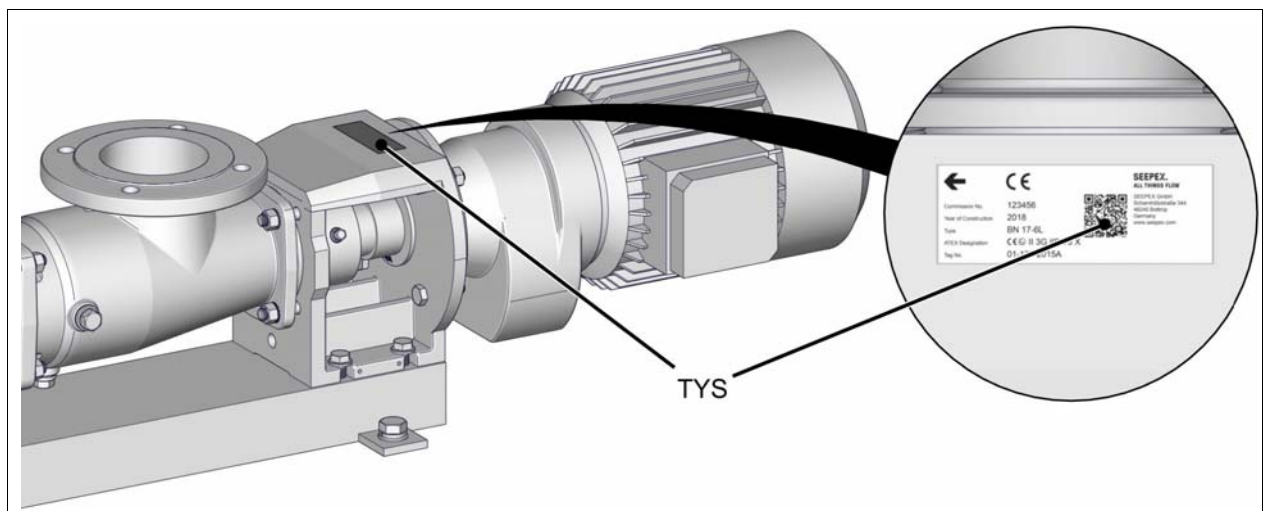


Figure similar

1. Safety

1.1.3 Symbols, notes and abbreviations

1.1.3.1 Information symbols

Symbol	Application
➤	Instruction/measure
–	supplementary instruction/measure
•	List item
i	Information
→	Cross-reference

1.1.3.2 Abbreviations

Abbreviations facilitate readability in drawings.

Abbreviations are explained below:

Abbrevia- tion	Designation	Abbrevia- tion	Designation
ANT	Drive	K	Terminal
AP	Lashing points	KF	Kinetic ring grease
ATG	Drive casing	KUL	Crank
CBH	Feed hopper screw fitting	P	Dimension for stator replacement
CFL	Flanged connection	RTE	Rotating unit
CTH	Threaded connection	S	Support
DFL	Flange seal	SCH	Screw fitting
ELT	Feed hopper	SCL	Holding band loop
ERD	Earth connection	SEA	Shaft sealing
FCO	Flange cover	SH	Protective cover
FLS	Flange bearing surface	SHL	Cutting lever
GC	Anti-seize graphite petroleum	SSU	Flush connection
GF	Joint grease	TSE	Dry-running protection device
GM	Lubricant	TYS	Type plate
GS	Soft soap	ZA	Sealing -/ centering surface
HBD	Holding band	ZD	Centering surface
HS	Label		

1.2 Safety-related Information

SEEPEX machines are built in accordance with the state of the art. Nevertheless, there is a residual risk, because the machine works with:

- Mechanical movements that pose a danger
- Electrical voltages and currents

1.3 Designated use

SEEPEX machines are individually configured. The machine is allocated to the operating and assembly instructions based on the commission no. The commission no. is indicated on the type plate of the machine and on the cover sheet of the operating and assembly instructions.

Observe the following points to ensure compliance with the intended use:

- Use the machine only for conveying media in accordance with the technical data (→ chapter 3)
- Use the machine only within the performance data as specified in the technical data (→ chapter 3)
- Make alterations and modifications to the machine only after obtaining the approval of SEEPEX
- Use the machine only in commercial and industrial areas
- Do not use the machine in explosive areas

1.4 Foreseeable misuse

Any use other than the intended use or any different use of the machine will be considered as improper use and can cause serious physical injury and damage to property.

In particular, the following is not admissible:

- Conveyance of conveying products other than those specified in the technical data (→ chapter 3)
- Operating the machine outside of the performance data specified in the technical data (→ chapter 3)
- Operating the machine without safety and protection devices
- Mechanical or electrical bypassing of machines or machine parts
- Use of parts other than the original parts
- Alterations, modification and manipulation
- Non-compliance with instructions and prescribed operating, maintenance and servicing conditions
- Non-compliance with the rules and regulations in the country of use and the statutory provisions and accident prevention regulations when handling the machine
- Operating the machine in explosive areas

1.5 Structure of warning notes

- For the protection of personnel and for the safe and efficient use of the machine, observe warning notes.

Preceding warning notes

Preceding warning notes are placed at the beginning of each chapter or sequence of actions, and relate to the instructions following directly after.

1. Safety

DANGER

Type and source of danger.

Possible consequences.

- Measures to avert the danger.
-

Preceding warning notes with warning or mandatory signs

Specific dangers are identified with additional warning or mandatory signs.

Example:

DANGER



Type and source of danger.

Possible consequences.

- Measures to avert the danger.
-

Embedded warning notes

Embedded warning notes describe immediately relevant dangers, and are shown within a sequence of actions. They are placed immediately before the danger.

Examples:

- **⚠ WARNING** Type and source of danger. Possible consequences. Measures to avert the danger.

⚠ WARNING Type and source of danger. Possible consequences.

- Measures to avert the danger.
-

1.5.1 Warning levels

Warning notes are identified by coloured warning symbols and signal word fields.

The different warning levels are identified by additional signal words, and describe the extent of the danger.

Personal injury

DANGER

DANGER indicates a dangerous situation which, if not avoided, will result in death or serious injury.

WARNING

WARNING indicates a dangerous situation which, if not avoided, may result in death or serious injury.

CAUTION

CAUTION indicates a dangerous situation which, if not avoided, may result in minor or moderate injury.

Property damage





NOTICE

NOTICE is used when the situation is not associated with personal injury.

1.5.2 Warning symbols

In these operating and assembly instructions and on the machine, there are warning symbols.

- Ensure that these warning symbols are complied with.
- Warning symbols on the machine must be fully present and easily legible at all times.

Warning symbols	Hazard
	Suspended load warning
	Electric voltage warning
	Hot surface warning
	Warning for automatic start

1. Safety

1.6 Qualification of the personnel

i

Detailed technical knowledge is essential for performing any work on the machine, in order to be able to independently recognise and avoid potential dangers.





Activity	Person	proven knowledge
<ul style="list-style-type: none"> ➤ Instruction of personnel ➤ Definition of responsibilities ➤ Definition of responsibilities ➤ Monitoring of adequate qualification of personnel 	Owner	<ul style="list-style-type: none"> ➤ Knowledge of safety regulations ➤ Knowledge of these operating and assembly instructions
<ul style="list-style-type: none"> ➤ Operation ➤ Operational monitoring ➤ Easy maintenance work and troubleshooting 	Operator	<ul style="list-style-type: none"> ➤ Instruction for the machine ➤ Before starting any activity, the operating and assembly instructions must be read and understood ➤ Knowledge of safety devices and regulations
<ul style="list-style-type: none"> ➤ Electrical installation ➤ Commissioning ➤ Maintenance ➤ Repair ➤ Decommissioning ➤ Assembly and dismantling 	Electrical technician	<ul style="list-style-type: none"> ➤ Technical training, knowledge and experience with the machine in relation to electrical components ➤ Knowledge of the relevant standards and regulations ➤ Safe handling of tools ➤ Knowledge of these operating and assembly instructions
<ul style="list-style-type: none"> ➤ Commissioning ➤ Maintenance ➤ Repair ➤ Decommissioning ➤ Assembly and dismantling 	Mechanical technician	<ul style="list-style-type: none"> ➤ Technical training, knowledge and experience with the machine in relation to mechanical components ➤ Knowledge of the relevant standards and regulations ➤ Safe handling of tools ➤ Knowledge of these operating and assembly instructions

1.7 Tasks, notes for the owners, operators and technicians



- Do not work on the machine or plant unless it is at a standstill and de-pressurised.
- Switch off the main switch and pull out the power plug before starting work on live components.
- Observe the procedure for shutting down the machine (→ chapter 6).
 - Follow decommissioning procedure.
 - Secure the machine against recommissioning.
- On completion of all work, attach all safety and protective devices and make sure they are functioning.
- Refer to chapter Commissioning before recommissioning the machine (→ chapter 6).

1.8 Personal protective equipment

- Wear personal protective equipment and/or additional equipment for your own safety.

Sign	Meaning	Scope of application
	Wear safety shoes	Work in the area of the machine
	Wear eye protection	Work on the machine during which parts may be ejected at speed and parts may be pressurised
	Wear protective gloves	Possible contact with aggressive media, hot surfaces or sharp edges
	Wear ear protection	Sustained sound pressure level > C 75 dB (A)

1. Safety

Sign	Meaning	Scope of application
	Wear safety helmet	Work with suspended loads and overhead work
	Wear protective clothing	Possible contact with aggressive media

1.9 Safety and protective devices

- Before commissioning, bolt SEEPEX machines to a suitable foundation to ensure stability.
- Start-stop equipment must be clearly recognisable. In order to avoid errors, the operator must arrange corresponding measures.



Protective devices protect those persons who are attempting to reach danger areas without additional help and under the conditions defined for various situations of reaching up, reaching under or reaching through.

- Equip pump with a protective device
 - In order to prevent contact with hot surfaces
 - In order to prevent contact with moving parts
 - Use finger probe to check protective device.

2.1 General description

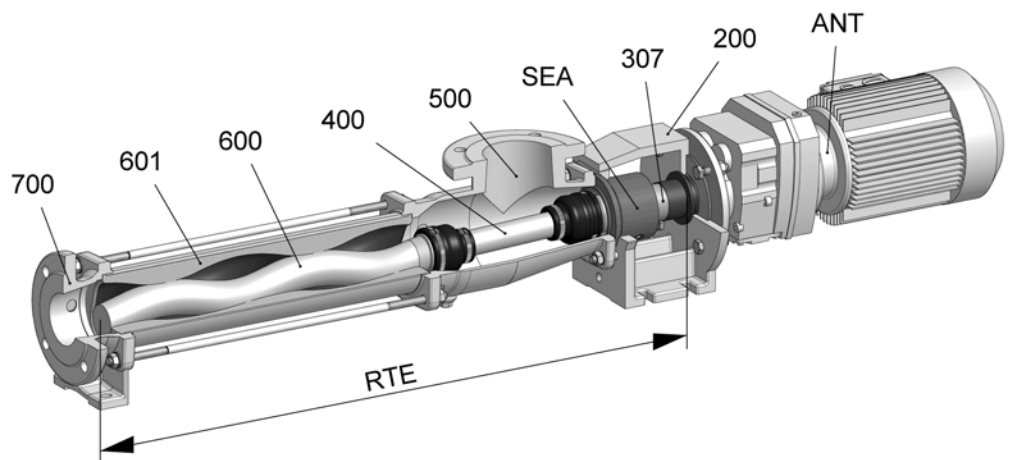
seepex pumps are members of the group of rotating displacement pumps.

- Characteristic features
 - Special configuration/arrangement of the rotor and stator pumping elements.
 - Motion sequence

2.2 Mode of action and pumping principle of the seepex pump

- Sealing bands are produced through geometric design/contact of both conveying elements.
- Sealing bands ensure a perfect fit between the suction and pressure side.
Result:
 - Increased pump suction.
 - Higher pressure build-up independent of speed possible.

2.3 Constructive design



No.	Designation
ANT	Drive
200	Lantern
307	Plug-in shaft
400	Coupling rod
SEA	Shaft seal
500	Suction casing
600	Rotor
RTE	Rotating unit
601	Stator
700	Pressure branch

3.1 Data sheet

3.2 Characteristic Curves

3.3 Declaration

- Data sheet, characteristic curves and declarations are commission specific documents and not part of this not binding operating and assembly instruction.

4.1 Safety

CAUTION
<p>Damage to property/injuries due to incorrect transport Slight injury or damage to property can occur</p> <ul style="list-style-type: none"> ➤ Comply with the safety notes and transport notes on the packaging. ➤ Use suitable means of transport, lifting devices and tools. ➤ Use protective equipment.

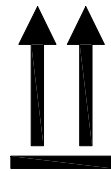
4.2 Transport

4.2.1 Dimensions, weights and center of gravity

- Note the dimensional drawing (→ chapter 5.6).

4.2.2 Symbols

- Meaning of symbol



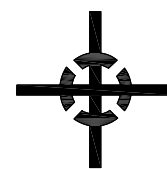
Top



Fragile
item



Against moisture
protect



Centre of gravity

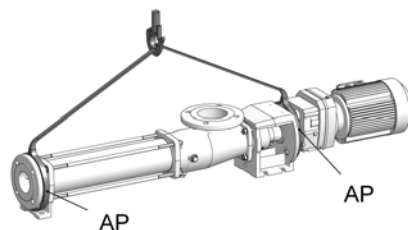


Lashing points

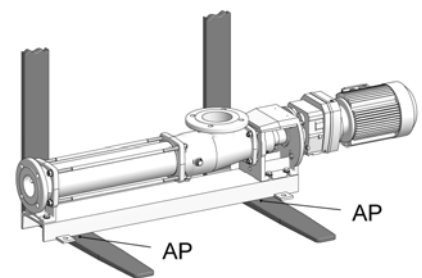
4.2.3 Sling points (AP) for lifting devices

	WARNING
	<p>Warning of suspended load. Death or serious injury can occur.</p> <ul style="list-style-type: none"> ➤ Use the lashing points (AP) for lifting devices. ➤ Note the centre of gravity (→ dimensional drawing, chapter 5.6).

Lifting machine



Industrial trucks



4.2.4 Unpacking the machine


- Comply with the symbols and notices on the packaging.
- Remove the screwed connection between the machine and packaging.
- Remove the machine with a lifting machine/industrial truck.

4.3 Temporary storage/Corrosion protection

- All seepex machines have corrosion protection applied as standard prior to transport.

<i>NOTICE</i>	
	<p>Damage to property if corrosion protection is missing Property damage can occur due to corrosion.</p> <ul style="list-style-type: none">➤ Temporary storage must be in a dry, enclosed, frost-free room in order to provide protection against ambient influences.➤ Contact seepex regarding the necessary corrosion protection for temporary storage.

4.4 Disposal

	<i>NOTICE</i>
	<p>Environmental protection Material damage can occur.</p> <ul style="list-style-type: none">➤ Drain the pumping medium and dispose of it in accordance with the regulations.➤ Dispose of the machine with regard to its composition and existing regulations.

5.1 Mounting tools / lifting gear

CAUTION
<p>Pump falling over. Slight injury or damage to property can occur.</p> <ul style="list-style-type: none"> ➤ Adhere to the lifting tool's starting point. ➤ Pay attention to the dimensions, weight and centre of gravity of the pump. ➤ Use suitable mounting tools/lifting gear.

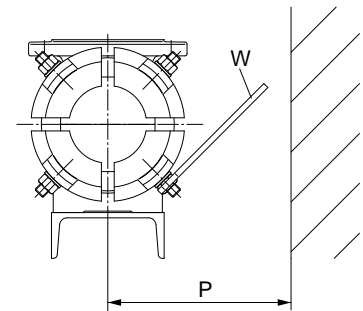
5.2 Space requirement

The required space should be determined by considering the following factors:

- Dimensions and weight.
- Requisite transport and lifting equipment.
- Pipe routing – dismantling (dimension for stator replacement).

5.2.1 Dimension for stator replacement (P)

Range	Dimension (P)
5-6LS	320 mm
10-6LS	350 mm
17-6LS	405 mm
35-6LS	510 mm
52-6LS	570 mm
70-6LS	605 mm
100-6LS	605 mm
130-6LS	720 mm



5.3 Assembly of the complete mounted pump

- Assemble according to technical data (→ chapter 3.).
- Note dimensional drawing.

Tension-free mounting of the pump



- Balance unevenness with suitable supports.
- Applies to mounting on foundations/load-bearing elements.
- Total areas of all pump bearing areas are resting on the surface.

Correct position of the drives

- All drives are set up ready for operation and mounted.
- Correct displacements of the drive during transport/installation of the pump by adjusting/fixing the drive.

CAUTION
<p>Safety protection equipment. Slight injury or damage to property may result.</p> <ul style="list-style-type: none"> ➤ Connect safety protection equipment and activate.

5.4 Power supply of the seepex pump

	 DANGER
	<p>Supply voltage and power frequency. Death or serious injury will result.</p> <ul style="list-style-type: none"> ➤ Heed type plate on the pump. ➤ Pay attention to manufacturer's directions (→ chapter 13.). ➤ Pay attention to safety regulations.

5.5 Pipelines

5.5.1 Suction and pressure connection

- Refer to the dimensional drawing for the position, nominal width and standard.
- Note direction of rotation/flow direction.

5.5.2 Pipeline dimensions

- Adhere to specifications regarding pressure in the pressure respectively suction connection.
- Note technical data (→ chapter 3.).
- Nominal width of suction pipe = nominal width of suction connection of pumps.

5.5.3 Residue-free pipelines

<i>NOTICE</i>
<p>Damage to property caused by residues from installation Failure to comply invalidates the warranty.</p> <ul style="list-style-type: none"> ➤ Keep all pipelines free from foreign bodies. ➤ Remove welding spatter, bolts, steel chips, etc.

5.5.4 Tension-free assembly

- Assemble pipelines and other components in a tension-free manner on the pump.

Master Copy

6.1 Commissioning report

Send commissioning report online to
www.seepex.com

From:

Must be specified with every order!

Commission:

Model:

Contact person:
 Tel.:
 Fax:
 E-mail:

Customer Service:

seepex GmbH
 Postfach 10 15 64
 D-46215 Bottrop
 service@seepex.com

Germany

Phone:+49 2041.996-231
 Fax: +49 2041.996-431

Rest of Europe

Phone:+49 2041.996-224
 Fax: +49 2041.996-424

Outside Europe

Phone:+49 2041.996-120
 Fax: +49 2041.996-432

Address of plant:

.....

Delivery date:

Date of installation:

Assembly check carried out on:

Please enter operational data:

Conveying liquid:

Temperature:

Fuse level/motor protection or power consumption

Frequency control

no

yes

If yes:

Supplied by seepex

Supplied by customer

Frequency:

Speed:

Power consumption:

Place, date

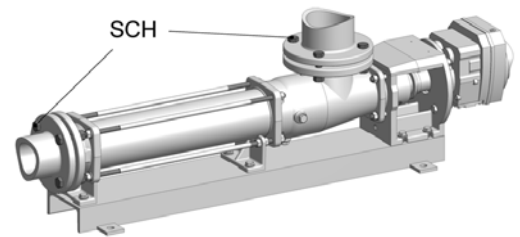
Signature / company stamp

6.2 Measures before commissioning

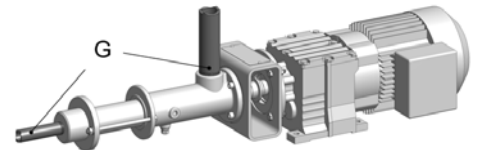
- Note the technical data (→ chapter 3.).

6.2.1 Checking pipelines

- Check flange screwed connections (**SCH**).



- Check threaded connections (**G**).



NOTICE
<p>Ensure the liquid can flow through without obstruction. Malfunction and/or irreparable damage to the pump.</p> <ul style="list-style-type: none"> ➤ Open all shut-off elements before switching on the pump.

6.2.2 Protective devices on the pump

DANGER
<p>Missing protective device. Danger of pulling in and crushing.</p> <ul style="list-style-type: none"> ➤ Equip the pump with a protective device. Protective devices provided for preventing contact with surfaces or moving parts must be regarded as suitable if contact is not possible in a test involving a test finger, with regard to the penetration possibility, strength and shock resistance. ➤ Comply with national protection regulations. ➤ In pumps with an open suction flange/feed hopper, attach touch protection. These safety clearances protect those persons who are attempting to reach danger areas without additional help and under the conditions defined for various situations of reaching up, reaching under or reaching through <p>In shaft seals, touch protection is only necessary if there are components on the rotating shaft.</p>

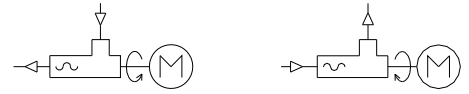
6.2.3 Electrical/hydraulic connections

	DANGER
	<p>Dangerous voltage. Death or serious injury can occur.</p> <ul style="list-style-type: none"> ➤ Note safety regulations. ➤ Disconnect motor from all sources of energy. ➤ Secure electrical connections against restarting.

6.2.4 Direction of rotation check

- The pump direction of rotation determines the flow direction of the pumping medium.
- Note the direction of rotation arrow on the type plate.

flow direction



counter clockwise

clockwise

6.2.5 Additional devices - optional

- Refer to additional devices (→ chapter 12.1).

6.3 Initial commissioning/repeated commissioning

- Start up the pump.

NOTICE

Dry running of the pump.

Malfunction and/or irreparable damage to the pump.

- Fill the suction casing with liquid in order to lubricate the pumping elements.

6.3.1 Avoid dry running of the pump

NOTICE

High temperature between rotor and stator.

Stator material burned.

Complete failure of the pump.

- Make sure that the suction-side conveying capacity does not cavitate.
- If this cannot be guaranteed on the machine side, assemble a seepex dry running protection (TSE).

6.3.2 Pressure in the suction and pressure connection



CAUTION

High pressure.

Malfunction and/or irreparable damage to the shaft seal or pump.

- Maintain pressure in the suction connection in accordance with the technical data (→ chapter 3.).

Recommendation:


- Assemble an oil-filled contact pressure gauge to monitor and deactivate the pump.

6.4 De-commissioning

Protect the pump and additional devices against the following:

- Frost
- Deposit of solids
- Sedimentation from the liquid
- Corrosion of parts that come into contact with the medium

6.4.1 Switching off the pump

	! DANGER
	Dangerous voltage. Death or serious injury can occur. <ul style="list-style-type: none">➤ Note safety regulations.➤ Disconnect motor from all sources of energy.➤ Secure electrical connections against restarting.

6.4.2 Emptying the pump

! CAUTION
Liquid draining out. Minor injury or damage to property can occur. <ul style="list-style-type: none">➤ Wear suitable protective clothing.➤ Refer to the technical data (→ chapter 3.) for the corresponding configuration of the pump housing.

To drain the pump:

- If the pump housing has screwed plugs, remove the screwed plugs.
- Drain using a connection branch (suction casing, pressure branch) if the pump housing is coated or the housing does not have screwed plugs.
- Drain the residual liquid from the pump housing.
- Drain the pipelines on the suction and pressure sides, or shut off behind the pump connections.

6.4.3 Removing the pump

**WARNING****Risk of pump tipping or falling.**

Death or serious injury can occur.

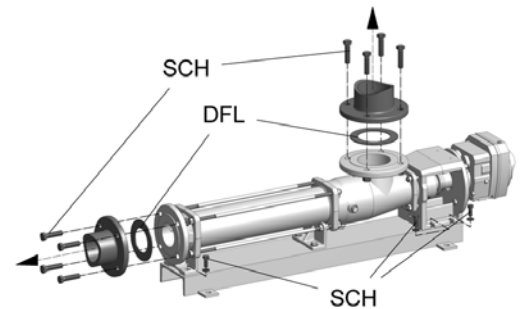
- Support the drive unit to guarantee stability.

Pipeline dismantling

- Remove flange bolts (**SCH**) and flange seals (**DFL**).

with/without base plate

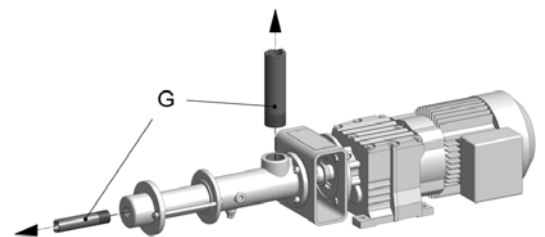
- Remove bolts (**SCH**) from the pump feet.

**Pipeline dismantling**

- Remove threaded connections (**G**).

with/without base plate

- Remove bolts (**SCH**) from the pump feet.



6.4.4 Preservation/storage of the pump

NOTICE**Damage to property due to lack of corrosion protection.**

Property damage can occur due to corrosion.

- Contact seepex to discuss suitable preservation measures.
 - State the commission number of the pump.

7.1 Preventive measures



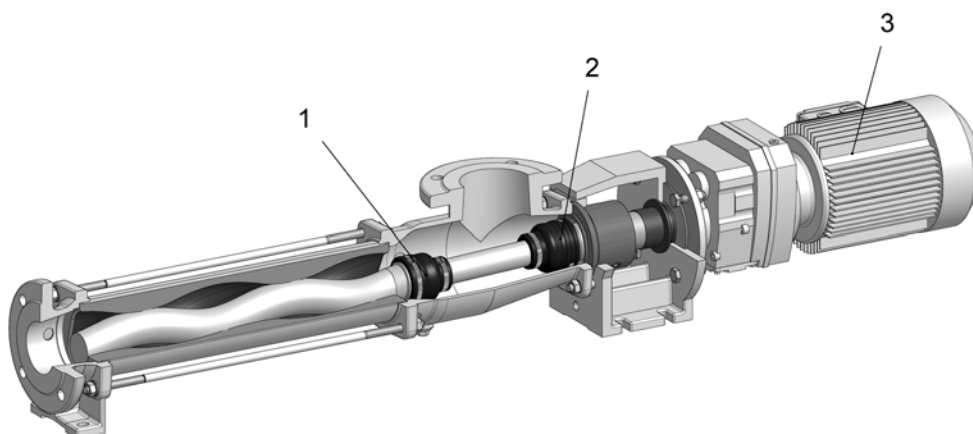
The maintenance personnel must have these operating instructions, follow them and also require corresponding qualifications.

	! DANGER
	<p>Dangerous voltage. Death or serious injury can occur.</p> <ul style="list-style-type: none"> ➤ Note safety regulations. ➤ Disconnect pump from all sources of energy. ➤ Secure electrical connections against restarting.

7.1.1 Pump down-time

NOTICE
<p>Pump down-time. Production failure due to wear.</p> <ul style="list-style-type: none"> ➤ Acquisition of a set of wearing parts and a set of gaskets.

7.2 Lubrication



No.	Denomination	Lubricant	Lubricant change in operating hours	Fill volume
1	Pin joint	seepex special grease *	10000 h	*
2	Pin joint	seepex special grease *	10000 h	*
3	Drive	Refer to manufacturer's documentation (chapter 13._)		
	Rotor/stator	Conveying medium	---	---
	Shaft seal	Conveying medium	---	---

* Type and filling quantities are commission specific information.

7.2.1 Joint grease

NOTICE
<p>Other grease types. Malfunction and/or irreparable damage to the joints or the pump.</p> <p>➤ Exclusively use seepex special grease.</p>

7.3 Inspection

Component	Interval	Action
Joints	Every 10,000 operating hours	Renew joint grease
Stator	Every week	Visual check for leaks
Shaft seal	Every week	Visual check for leaks
Drive unit	Every 3000 operating hours, at least every 6 months	Comply with manufacturer's documentation

Refer to technical data (chapter 3.) for application range of the pump.

Malfunction									Causes	Rectification
Pump is not sucking	Pump pumping unevenly	Conveying capacity is not achieved	Pressure head is not reached	Pump does not start up	Pump seized / pump does not pump	Pump is loud when running	Motor gets too hot	Premature stator wear		
			X				X	X	Static friction between stator/rotor too great.	Apply lubricant (liquid soap) between stator and rotor.
X									Incorrect direction of rotation.	Check direction of rotation and swap over motor connections if necessary.
X	X	X			X	X			Suction pipe or shaft seal leaking.	Eliminate leaks.
X	X	X				X			Suction head too great.	Check the suction head, if necessary increase pipe cross section on suction pipe and use a larger filter, open suction-side valve fully.
X	X	X							Viscosity of conveying product too great.	Check/adapt (data sheet).
		X	X				X		Pump rotation speed incorrect.	Correct rotation speed (data sheet).
	X	X								Avoid air bubbles in the conveying product.
		X	X	X	X	X	X	X	Pressure head too great.	Check pressure head with pressure gauge, reduce pressure head by using larger pressure pipe crossed section or shortening the pressure pipe.
X	X	X			X			X	Pump running partially/ completely dry.	Check there is adequate conveying product available on the suction side. Dry running protection DRP.
						X	X		Check coupling.	If necessary, move pump in relation to drive, check wear on coupling gear, re-adjust coupling if necessary.
X		X							Rotation speed too low.	Increase rotation speed for low-viscosity media/large suction volume.

Malfunction									Causes	Rectification	
Pump is not sucking	Pump pumping unevenly	Conveying capacity is not achieved	Pressure head is not reached	Pump does not start up	Pump seized / pump does not pump	Pump is loud when running	Motor gets too hot	Premature stator wear			Shaft seal is leaky
X	X					X				Rotation speed too high.	Reduce rotation speed for high-viscosity media, risk of cavitation.
						X				Joint play too large.	Check mounting of coupling rod bushing.
X		X		X	X			X		Foreign objects in pump.	Dismantle pump, remove foreign bodies, replace defective parts.
X		X	X		X					Stator/rotor worn.	Dismantle pump and renew defective parts.
X		X			X	X				Joint parts worn.	Renew joint parts, use seepex pin joint grease.
X		X			X			X		Suction pipe blocked.	Clean the suction pipe.
X				X	X		X	X		Temperature of pumping liquid too high.	Check temperature, use an undersize rotor.
X		X		X			X		X	Gland packing too firm/worn.	Loosen packing gland or tighten. Renew unusable packing rings.
X				X	X			X		Solid content and/or grain size too great.	Reduce pump speed, install screen with permitted mesh width. Increase liquid proportion.
X				X				X	X	Sedimentation/gumming of solids when pump stationary.	Rinse through and clean the pump immediately.
X				X	X			X	X	Conveying product hardens when the temperature drops below a certain limit.	Heat the pump.
				X	X		X	X		Stator swollen and unable to withstand conveying product.	Select a suitable stator material, use an undersize rotor.
						X			X	Bearings in pump drive housing or drive unit defective.	Renew bearings.
									X	Mechanical seal defective.	Check sliprings and O-rings for wear/resistance, renew if necessary.

9.1 Dismantling

All work steps and tools required for dismantling are specified in this chapter.

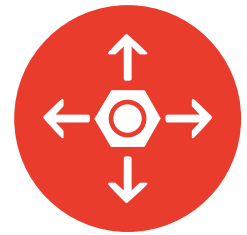
3-D ANIMATIONS

In addition to your SEEPEX operating and assembly instructions, 3-D animations of the individual dismantling steps are available.

Start animations



- For printed operating and assembly instructions, scan the adjacent QR code.













9.1 Dismantling

9.1.1 Keep tools ready for the dismantling

Recommended tools

Keep the listed tools ready (not part of the delivery scope):

Illustration	Denomination
	Hammer
	Set allen keys
	Set ring spanners size 10 - size 30
	Set fork spanners size 10 - size 30
	Metal saw (WH)
	Screwdriver (WS)
	Chisel (WM)
	Circlip pliers (WZ)

Recommended special tools

i

Special tools are not part of the delivery scope.

- Order special tools using the order form (→ chapter 11).






Illustration	Denomination
	Assembly mandrel (W4)
	Drift (W5)
	Mounting lever (W9)



Illustration	Denomination
	Dismantling tool (W10)
	Hoisting device incl. tension belt (W29)

Recommended auxiliary materials

Keep the auxiliary materials listed available (not included in the scope of delivery):

- Lubricant **(GM)**

NOTICE

Damage to property due to inadequate lubricants **(GM)**.

Damage to components. Contamination of the conveying medium.

- Observe resistance to the materials used and the conveying medium.
- Use suitable lubricants **(GM)** only.

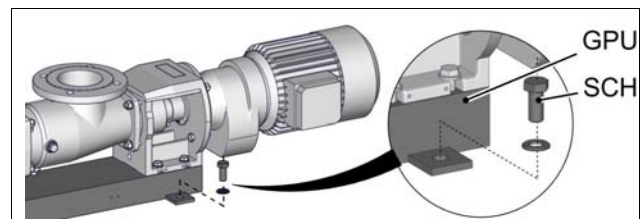
9.1.2 Prepare pump for dismantling

- Follow the instructions in the chapter Shut-down (→ chapter 6).

9.1.3 Dismantle pump

▲ WARNING Risk of injury due to lack of stability of pump. Crushing of body parts due to the pump or pump parts tipping or falling down.

- Fasten base plate **(GPU)** to secure pump.
 - Recommendation: Fasten to suitable base using a screw fitting **(SCH)**.



9.1 Dismantling

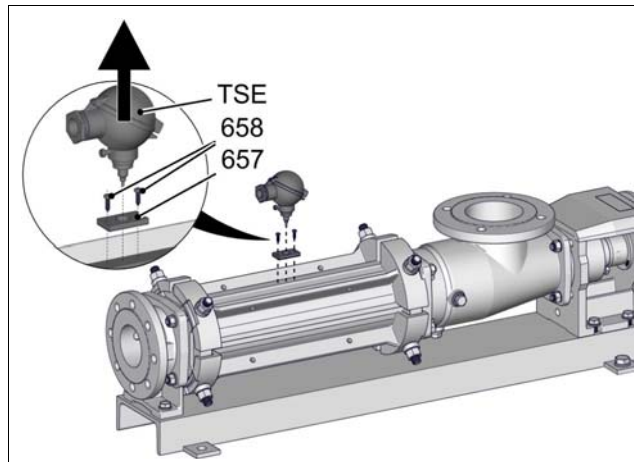


9.1.3.1 Dismantle stator (601)

Dismantle dry-running protection device (TSE) (optional)

NOTICE Damage to pump sided parts of the dry-running protection device (TSE) during dismantling the stator.

- Before dismantling the stator, remove all pump sided parts of the dry-running protection device (TSE).
 - Observe the chapter Options and additional accessories (→ chapter 12.1).



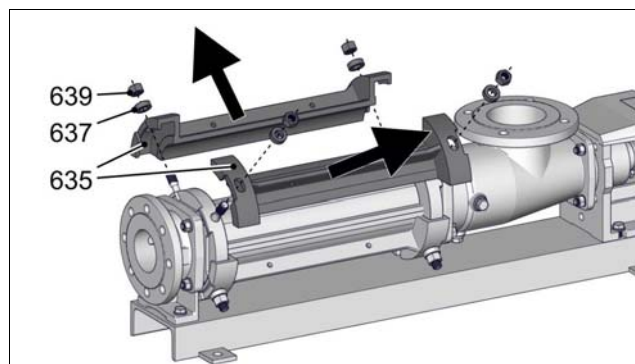
WARNING

Leaking conveying medium.

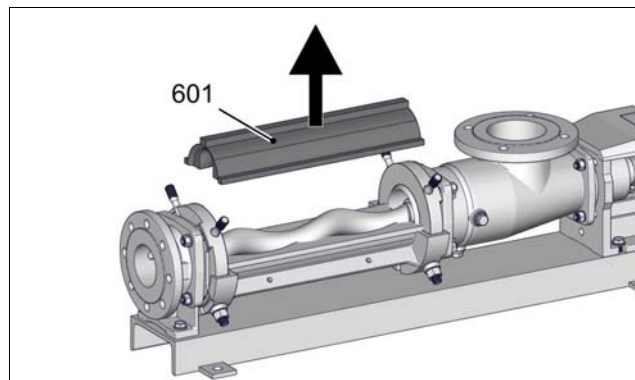
Personal injury and/or material damage can occur.

- Take safety precautions to protect people and the environment.
- Wear suitable protective clothing.
- When handling hazardous substances, comply with applicable regulations.

- Dismantle screw fitting (637, 639).
- Remove upper adjusting segments (635).



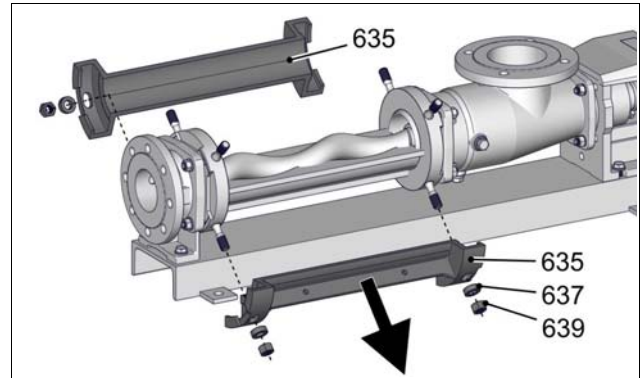
- Remove upper stator half (601).



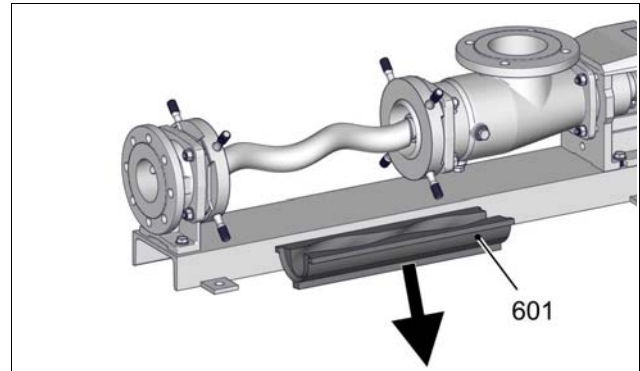


9.1 Dismantling


- Secure lower adjusting segments (**635**) to prevent them from falling down.
- Dismantle screw fitting (**637, 639**).
- Remove adjusting segments (**635**).

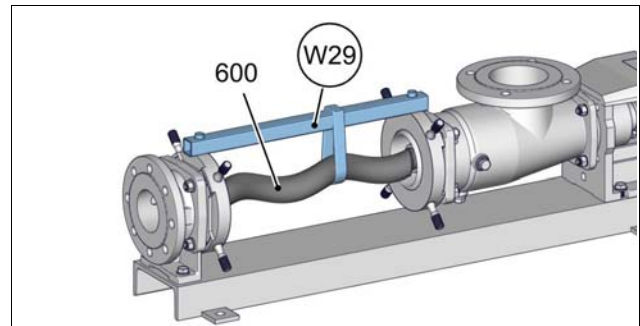


- Remove lower stator half (**601**).

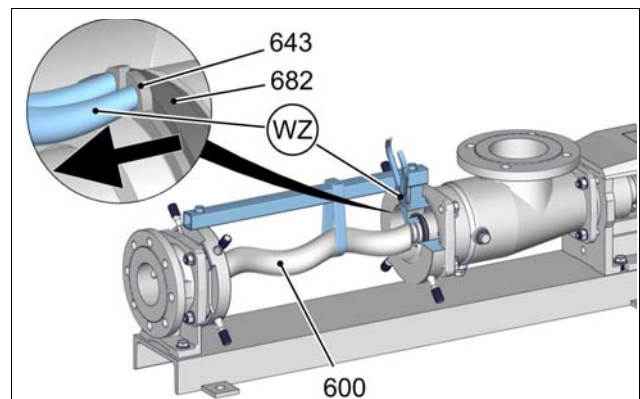


9.1.3.2 Dismantle rotor (600)

-  Mount tool (**W29**) to secure rotor (**600**) on segment retainers (**671, 672**).



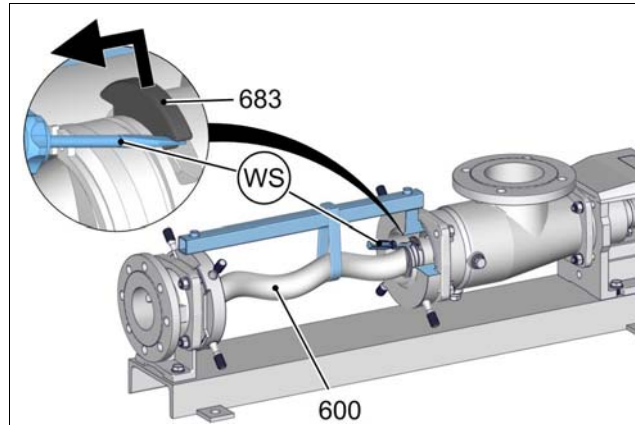
- Slide circlip (**643**) onto rotor (**600**).
 - Use tool (**WZ**).
- Slide support ring (**682**) towards rotor (**600**).



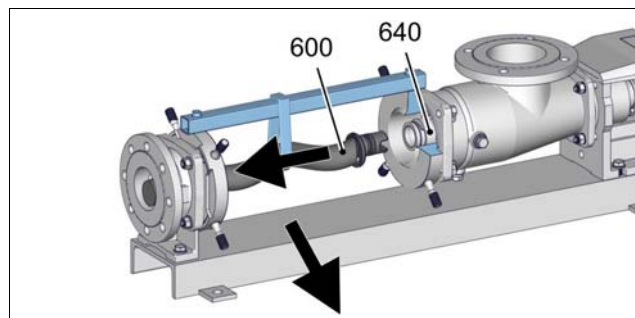
9.1 Dismantling




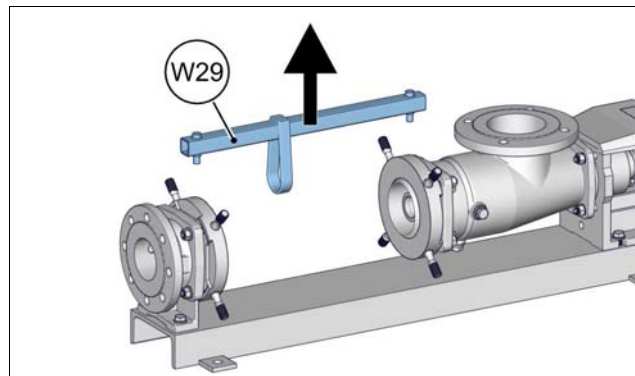
- Remove the lock washer (683).
 - Use a suitable tool (WS).



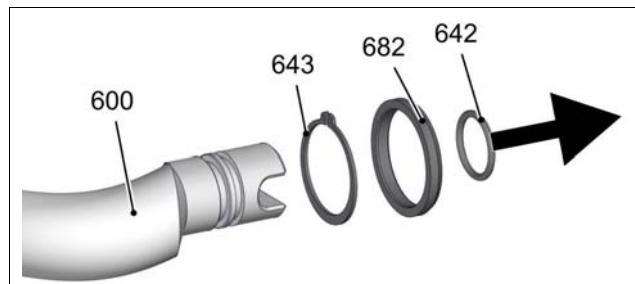
- Remove rotor (600) from rotor head (640).



-  Remove tool (W29).



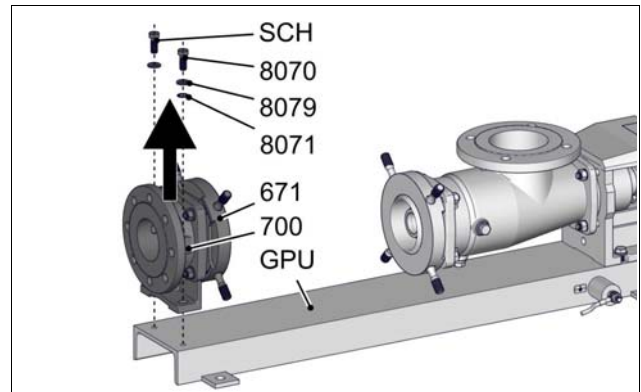
- Remove circlip (643), support ring (682) and O-ring (642) from the rotor (600).



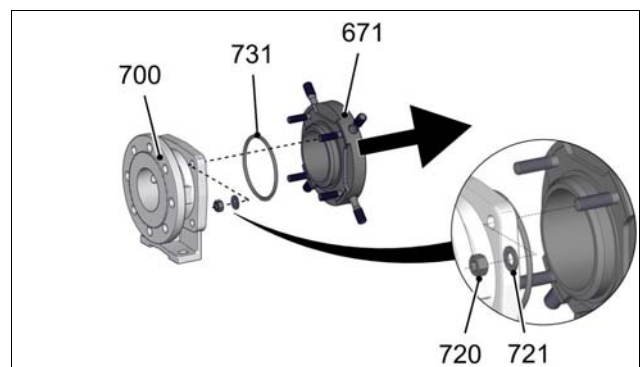


9.1.3.3 Dismantle pressure branch (700)

- Dismantle screw fitting (**SCH**).
- Remove pressure branch (**700**).

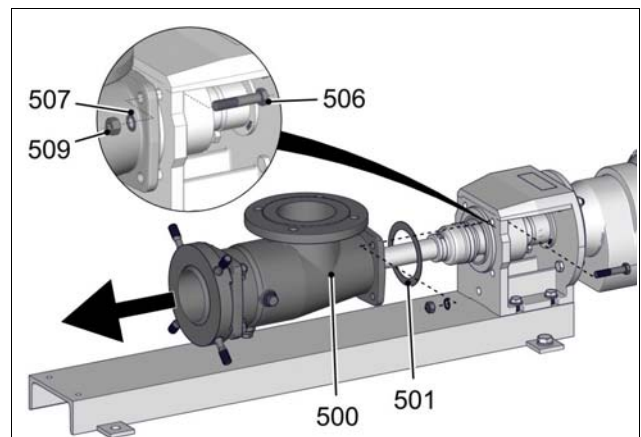


- Dismantle screw fitting (**720, 721**).
- Remove segment retainer (**671**).
- Remove O-ring (**731**) from the centering device of pressure branch (**700**).

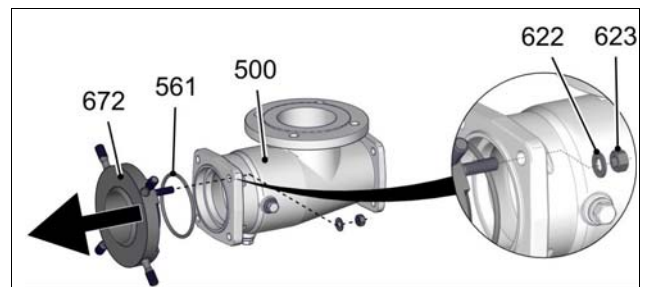


9.1.3.4 Dismantle suction casing (500)

- Remove screw fitting (**506, 507, 509**).
- Remove suction casing (**500**) and casing gasket (**501**).



- Dismantle screw fitting (**622, 623**).
- Remove segment retainer (**672**).
- Remove O-ring (**561**) from the centering device of suction casing (**500**).



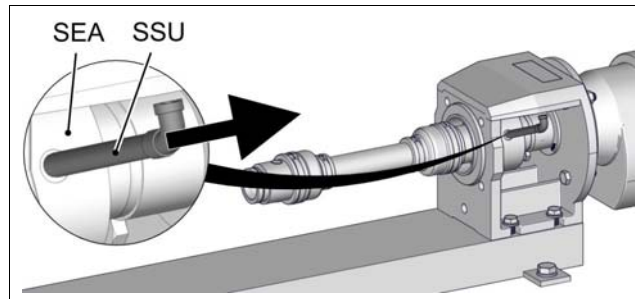
9.1 Dismantling



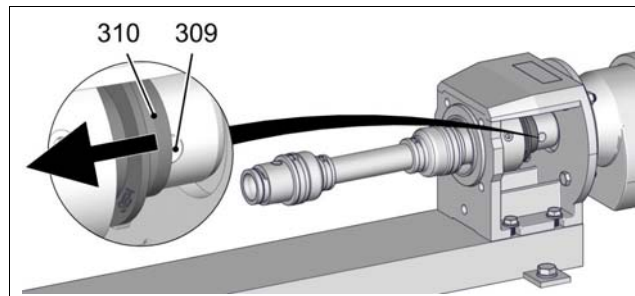
9.1.3.5 Dismantle rotating unit (RTE)

Dismantle flush connection (SSU) (optional)

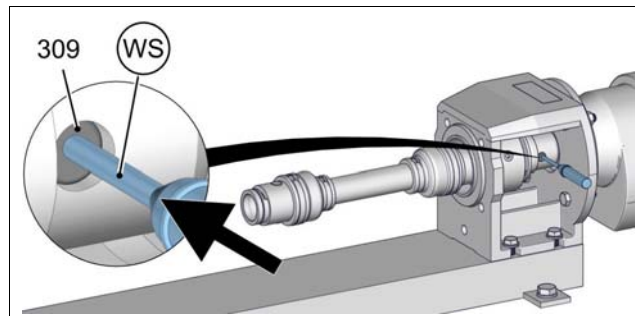
- Remove flush connection (**SSU**) from the casing of the shaft sealing (**SEA**).




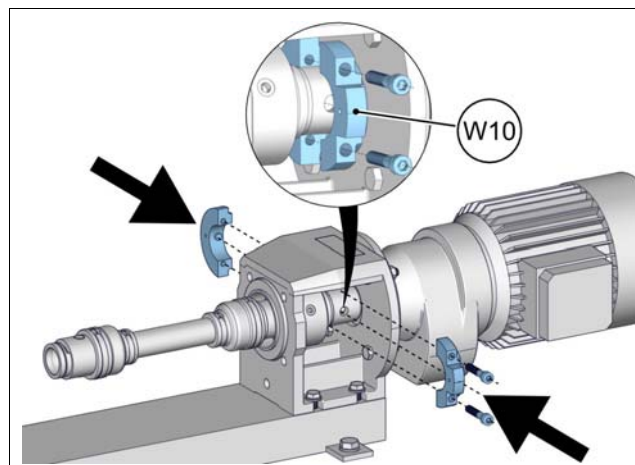
- Raise/reposition splash ring (**310**) to remove plug-in shaft pin (**309**).



- Eject plug-in shaft pin (**309**).
 - Use a suitable tool (**WS**).




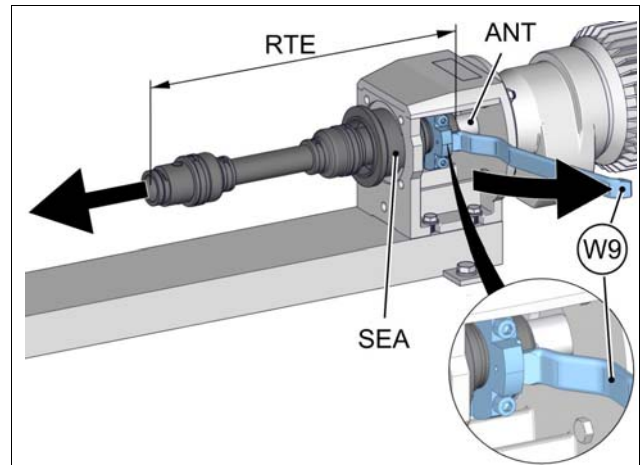
-  Assemble tool (**W10**) as contact surface for mounting lever (**W9**).




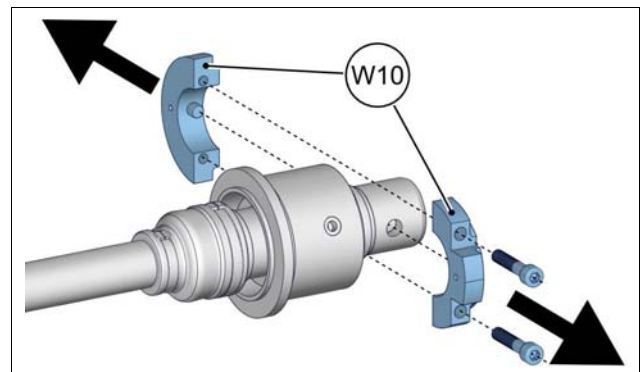


9.1 Dismantling

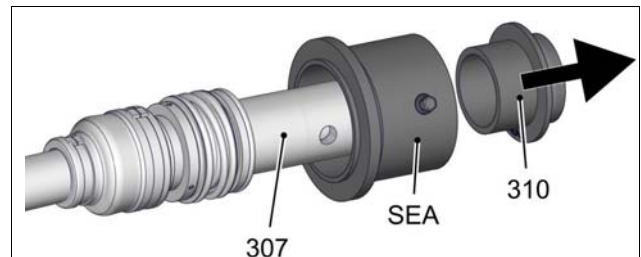
- Pull off rotating unit (**RTE**) with shaft seal (**SEA**) from output shaft of drive (**ANT**).
-  Use tool (**W9**).



-  Dismantle tool (**W10**).



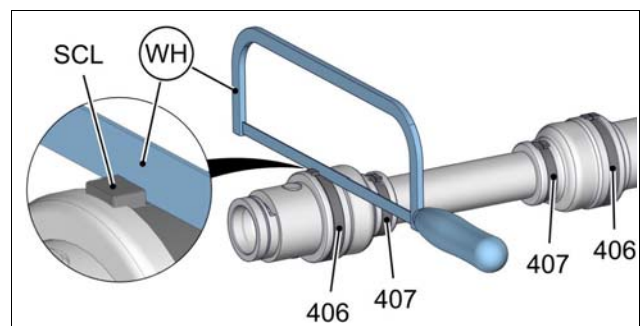
- Remove splash ring (**310**) and shaft seal casing (**SEA**) from plug-in shaft (**307**).
- See dismantling of shaft seal (**SEA**) (→ chapter 9.4).



9.1.3.6 Remove rotor head (640), coupling rod (400), plug-in shaft (307)

Dismantle holding band (406, 407)



- **⚠ CAUTION** Parts can be ejected at speed. Risk of injury to eyes. Wear safety goggles.
- Disconnect holding band loop (**SCL**).
- Use suitable tools (**WH**).
- Press out parts of the holding band loop (**SCL**).
- Remove holding band (**406, 407**).

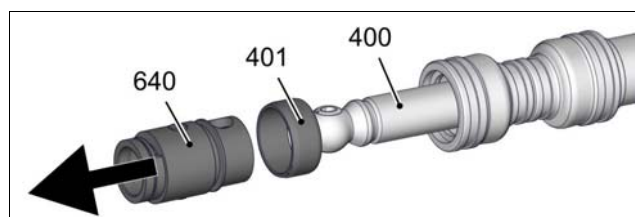
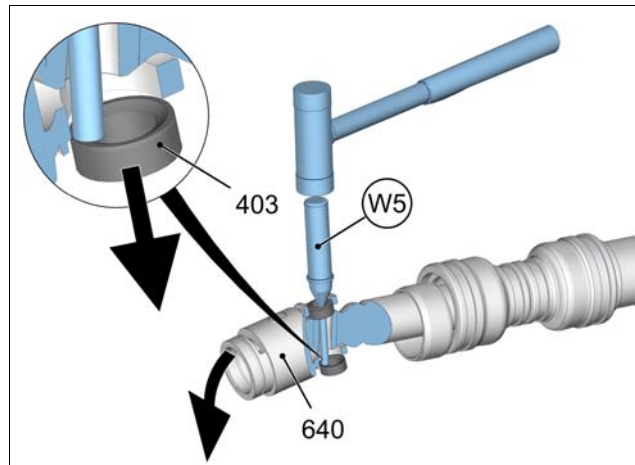
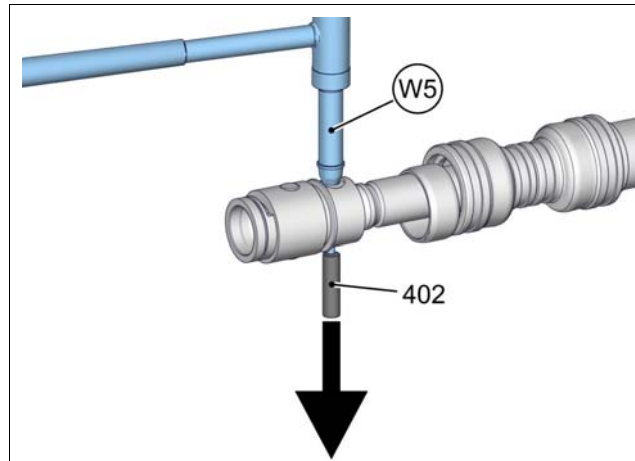
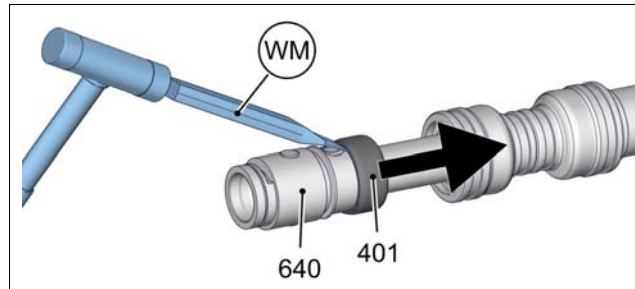


9.1 Dismantling



Separate joint - rotor side

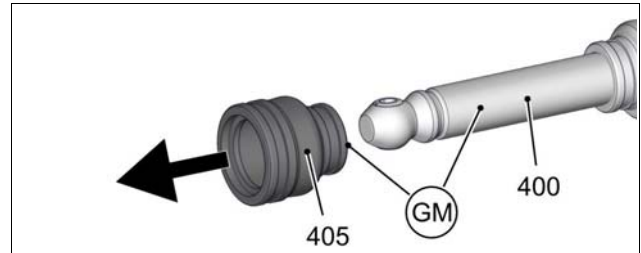
- Pull back universal joint sleeve (405).
- Push retaining sleeve (401) off the rotor head (640).
 - Use a suitable tool (WM).
- Knock out coupling rod pin (402).
 -  Use tool (W5).
- Bend rotor head (640).
- Knock out guide bushings (403).
 -  Use tool (W5).
- Remove rotor head (640) and retaining sleeve (401) from coupling rod (400).





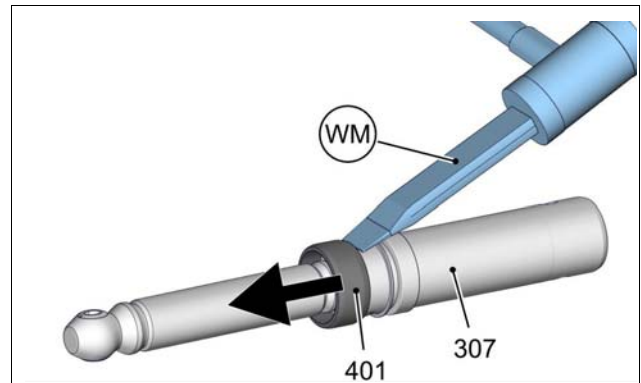
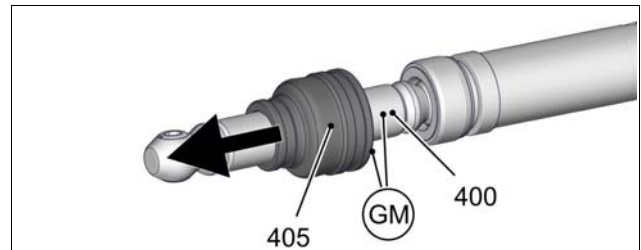
9.1 Dismantling

- For easier dismantling, apply lubricant (**GM**) to the interior of the universal joint sleeve (**405**) and the outer surface of the coupling rod (**400**).
- Remove universal joint sleeve (**405**) from coupling rod (**400**).

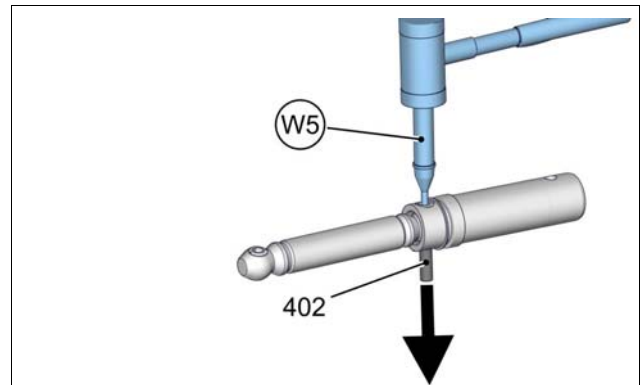


Separate joint - drive side

- For easier dismantling, apply lubricant (**GM**) to the interior of the universal joint sleeve (**405**) and the outer surface of the coupling rod (**400**).
- Remove universal joint sleeve (**405**) from coupling rod (**400**).
- Push retaining sleeve (**401**) off the plug-in shaft (**307**).
 - Use a suitable tool (**WM**).
- Remove retaining sleeve (**401**).




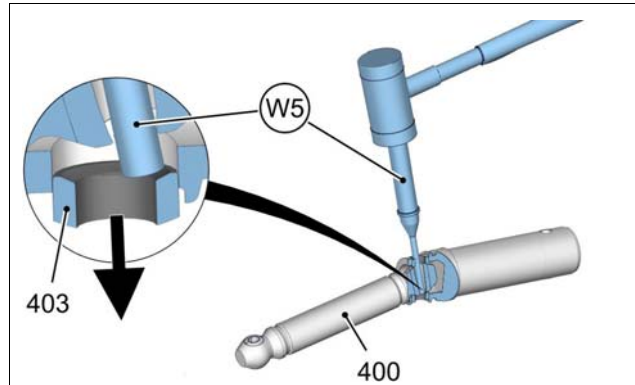
- Eject coupling rod pins (**402**).
 -  Use tool (**W5**).



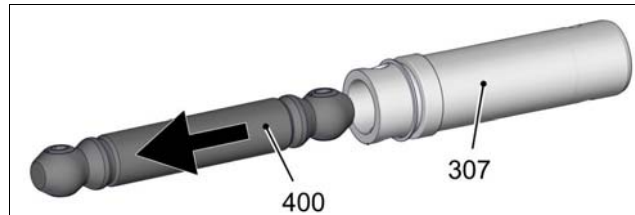
9.1 Dismantling



- Bend the coupling rod (**400**).
- Knock guide bushing (**403**).
 -  Use tool (**W5**).

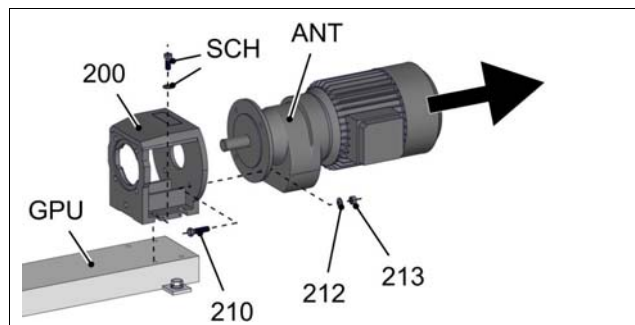


- Remove coupling rod (**400**) from plug-in shaft (**307**).



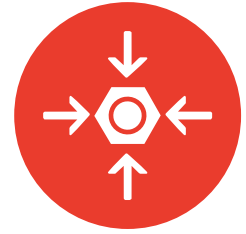
9.1.3.7 Dismantle lantern (200) and drive (ANT)

- Dismantle screw fitting (**210, 212, 213**).
- Remove drive (**ANT**) from lantern (**200**).
- Dismantle screw fitting (**SCH**).
- Remove lantern (**200**) from base plate (**GPU**).



9.2 Reassembly

All work steps and tools required for reassembly are specified in this chapter.



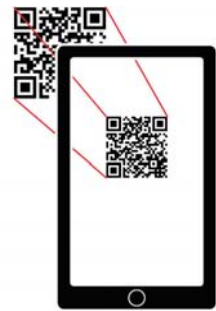
3-D ANIMATIONS

In addition to your SEEPEX operating and assembly instructions, 3-D animations of the individual assembly steps are available.

Start animations



➤ For printed operating and assembly instructions, scan the adjacent QR code.

















9.2 Reassembly

9.2.1 Keep tools ready for assembly

Recommended tools

Keep the listed tools ready (not part of the delivery scope):

Illustration	Denomination
	Hammer
	Set allen keys
	Set ring spanners size 10 - size 30
	Set fork spanners size 10 - size 30
	Screwdriver (WS)
	Pliers (WFZ)
	Centre punch (WK)
	Spirit level (WW)
	Circlip pliers (WZ)
	Belt shears (WBS)
	Calliper gauge (WG)
	Cartridge gun (WF)










Recommended special tools

i

Special tools are not part of the delivery scope.

- Order special tools using the order form (→ chapter 11).

Illustration	Denomination
	Mounting tool (W3)
	Assembly mandrel (W4)
	Drift (W5)
	Mounting lever (W9)
	Dismantling tool (W10)
	Hoisting device incl. tension belt (W29)
	Feeler gauge (W30)

Recommended auxiliary materials

Keep the auxiliary materials listed available (not included in the scope of delivery):

- Soft soap **(GS)**
- Anti-seize graphite petroleum **(GC)**
- SEEPEX joint grease **(GF)**

NOTICE

Damage to property due to inadequate lubricants **(GM)**.

Damage to components. Contamination of the conveying medium.

- Observe resistance to the materials used and the conveying medium.
- Use suitable lubricants **(GM)** only.

9.2 Reassembly




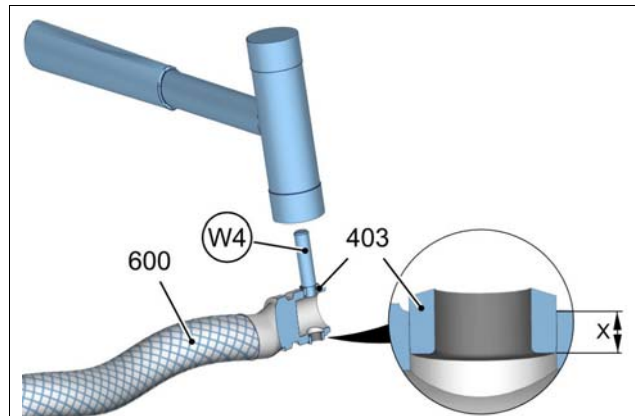
9.2.2 Prepare components parts for assembly

9.2.2.1 Prepare rotor head (640) for assembly

- Remove any damage.
- Clean rotor head (640).

NOTICE Malfunction of the joints. Malfunction and/or destruction of the joints. Renew coupling rod pin (402) and guide bushings (403) together.

- Drive in guide bushings (403) (Depth $X = 2/3$).
 -  Use tool (W4).

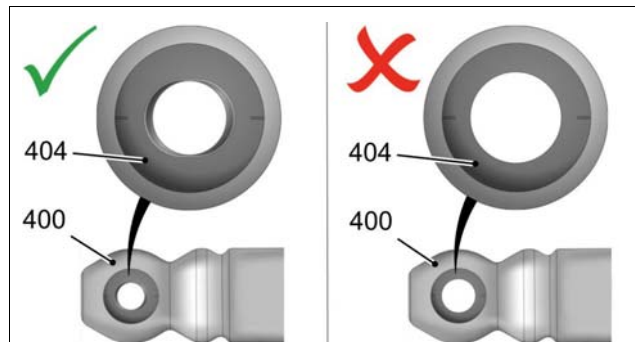


9.2.2.2 Prepare coupling rod (400) for assembly

- Clean coupling rod (400).

NOTICE Malfunction of the joints. Malfunction and/or destruction of the joints


- Check coupling rod bushings (404) for wear.
 - In the event of wear, replace coupling rod (400), including the coupling rod bushings (404).

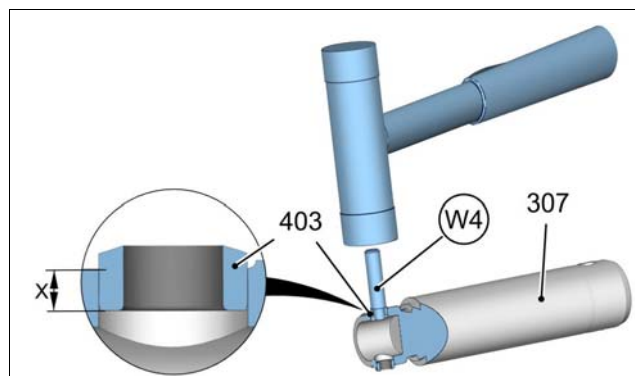


9.2.2.3 Prepare plug-in shaft (307) for assembly

- Remove any damage.
- Clean plug-in shaft (307).

NOTICE Malfunction of the joints. Malfunction and/or destruction of the joints. Renew coupling rod pin (402) and guide bushings (403) together.

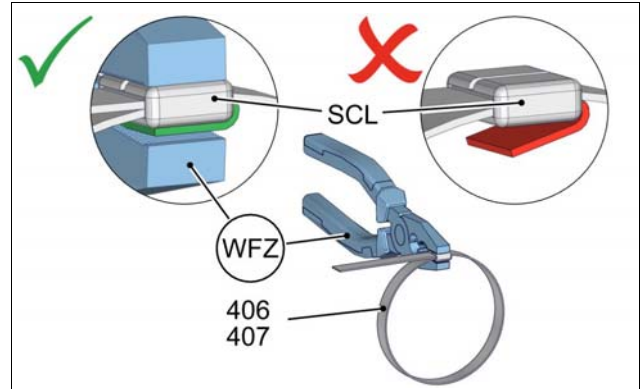
- Drive in guide bushings (403) (depth $X = 2/3$).
 -  Use tool (W4).





9.2.2.4 Prepare holding band (406, 407)

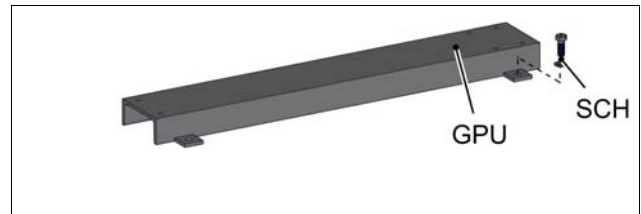
- Use prefabricated double-band holding bands only.
- Check the holding band (406, 407)
 - Bent-over holding band (406, 407) is in contact with holding band loop (SCL) to avoid damaging universal joint sleeve (405).
 - Press on holding band (406, 407) using tool (WFZ) if necessary.



9.2.3 Assemble pump

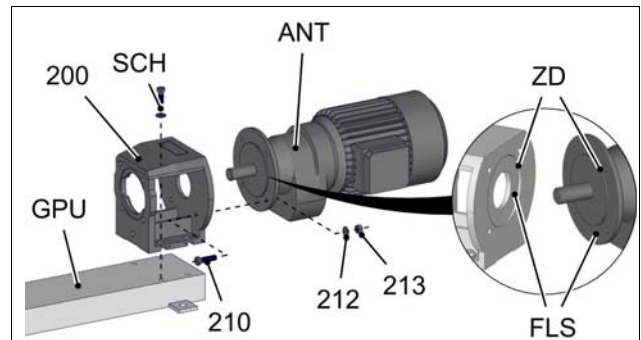
⚠ WARNING Risk of injury due to lack of stability of the pump. Crushing of body parts due to the pump or pump parts tipping or falling down.

- Fasten base plate (GPU) to secure pump.
 - Recommendation: Fasten to suitable base using a screw fitting (SCH).



9.2.3.1 Assemble lantern (200) and drive (ANT)

- Assemble lantern (200) with screw fitting (SCH) on base plate (GPU).
- Clean flange bearing surfaces (FLS), centering surface (ZD) and output shaft of the drive (ANT).
- Assemble drive (ANT) with screw fitting (210, 212, 213) on lantern (200).



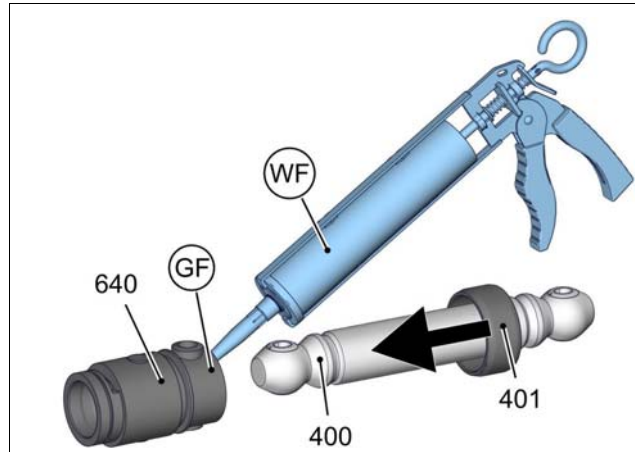
9.2 Reassembly



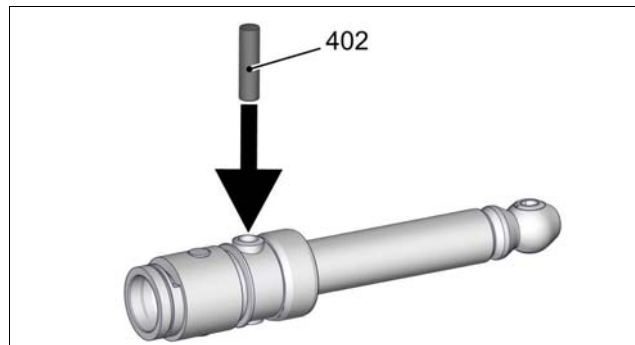
9.2.3.2 Assemble rotor head (640), coupling rod (400), plug-in shaft (307)


Connect rotor head (640) with coupling rod (400)

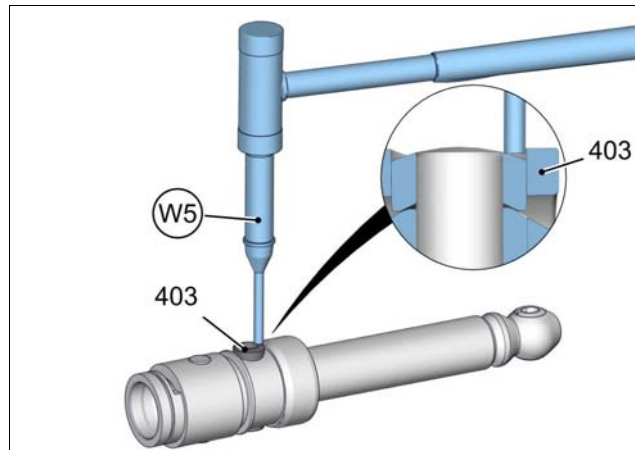
- Fill rotor head (640) with SEEPEX joint grease (GF).
 - Use tool (WF).
- Slide coupling rod (400) into rotor head (640).
- Push on retaining sleeve (401).




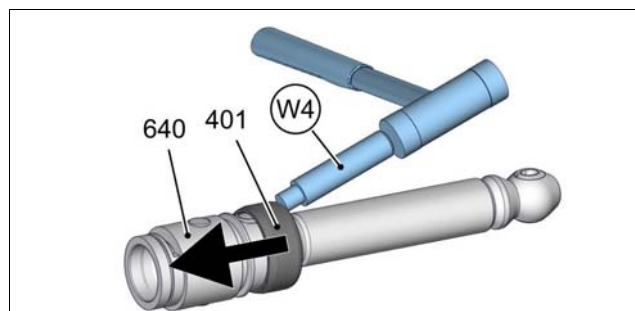
- Insert coupling rod pin (402).



- Knock the guide bushings (403) in.
 -  Use tool (W5).



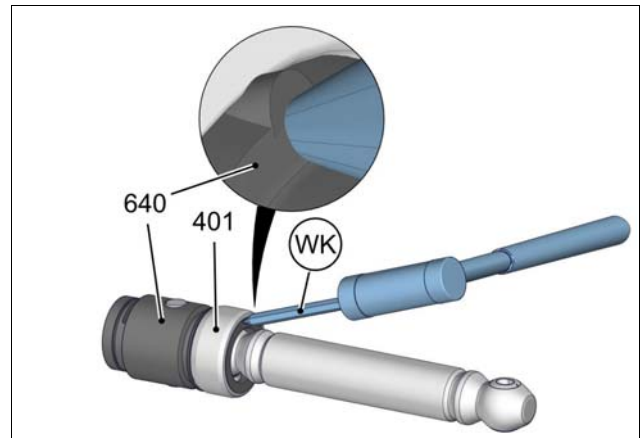
- Slide retaining sleeve (401) onto rotor head (640).
 -  Use tool (W4).





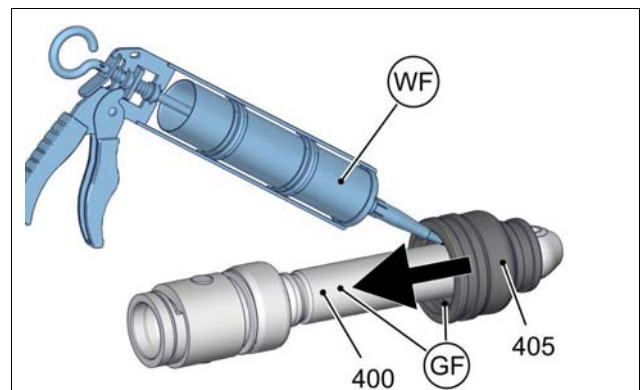
Secure retaining sleeve (401) - rotor-side

- Secure retaining sleeve (401) at a distance of 180° by means of material deformation at the rotor head (640).
 - Use a suitable tool (WK).



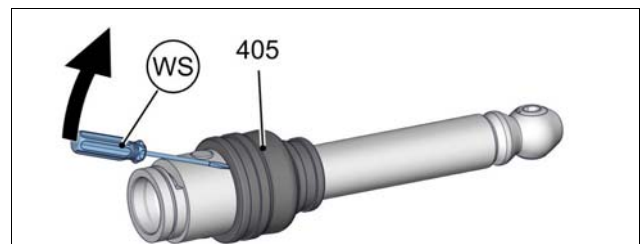
Assemble universal joint sleeve (405) - rotor-side

- For simpler assembly of the universal joint sleeve (405), moisten the outer surface of coupling rod (400) with SEEPEX joint grease (GF).
- Fill interior of universal joint sleeve (405) with SEEPEX joint grease (GF).
 - Filling grade SEEPEX joint grease (GF) find in the document Maintenance (→ chapter 7).
 - Use tool (WF).
- Slide universal joint sleeve (405) onto joint.



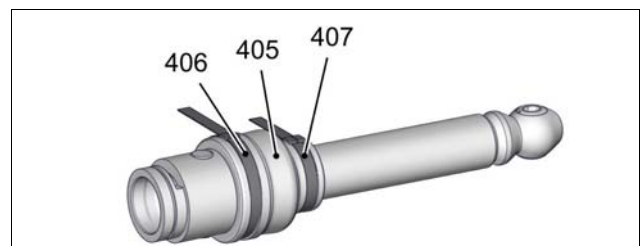
NOTICE Damage of universal joint sleeve due to sharp tools. Leak in universal joint sleeve.

- Ventilate inner area of joint by lifting the universal joint sleeve (405).
 - Use a suitable tool (WS).




Assemble holding band - rotor-side

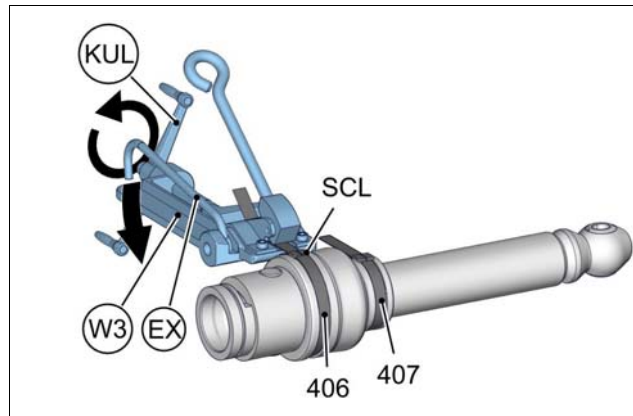
- Slide holding bands (406, 407) loosely onto universal joint sleeve (405).



9.2 Reassembly

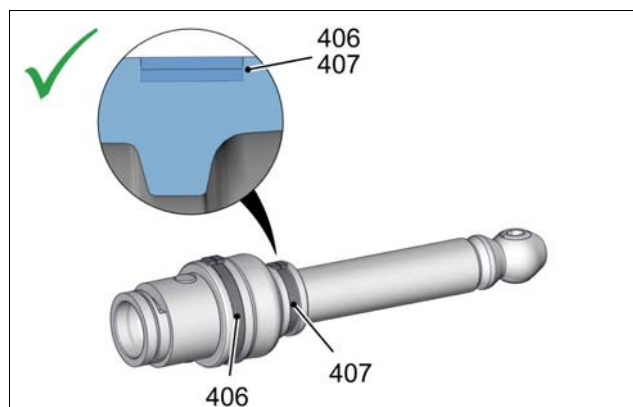


- Tighten holding band (406, 407) - rotor-side
 -  Insert holding band (406, 407) into tool (W3).
 - Clamp holding band firmly using eccentric lever (EX).
 - Turn crank (KUL) until the holding band (406, 407) is tensioned and is in contact with holding band loop (SCL).
 - Carefully pull the holding band (406, 407) together until it is in contact with the universal joint sleeve around the circumference.



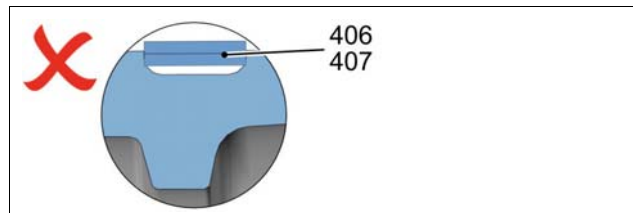
Correct

The holding band (406, 407) has drawn in the out shape of the universal joint sleeve and is firmly seated.



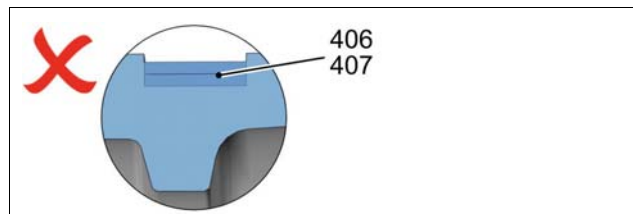
False


Holding band (406, 407) too loose, can slip off.

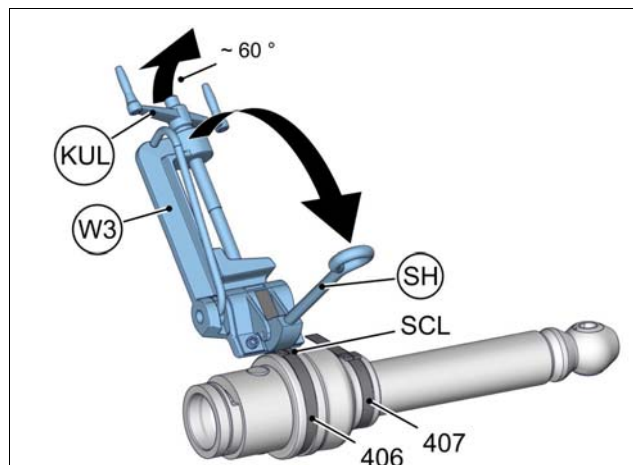


Incorrect

The holding band (406, 407) is too tight, universal joint sleeve will be damaged/sheared off.



- Cant up the holding band (406, 407).
-  Swivel mounting tool (W3) approx. 60° upwards.
- Loosen crank (KUL) by a half turn.
- Swivel cutting lever (SH) forward until the pressure piece is lying behind the holding band loop (SCL).

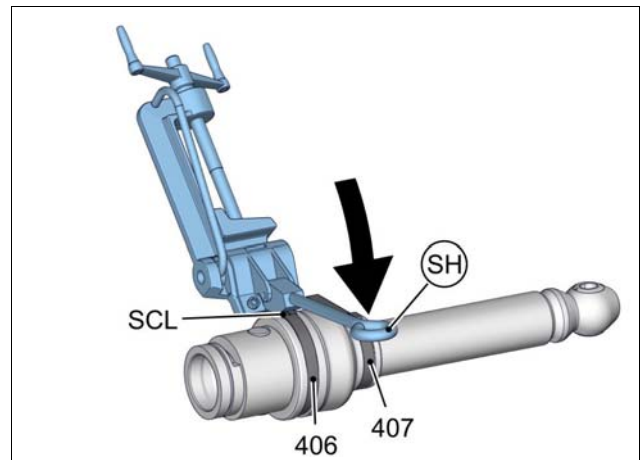




Shear off holding band (406, 407) for material design stainless steel, corrosion-resistant steel

NOTICE Universal joint sleeve can be damaged by hammering and striking. Joint grease (**GF**) can leak out. Avoid hammering or striking the universal joint sleeve.

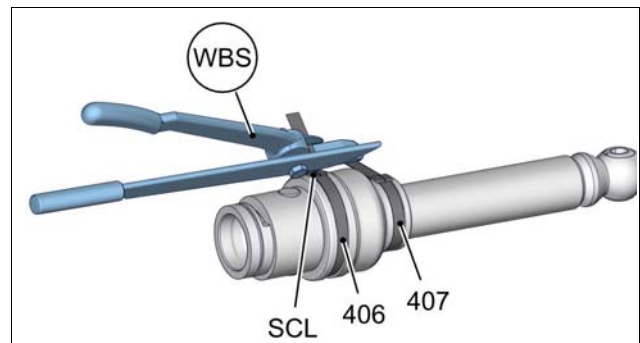
- Refer to the technical data (→ chapter 3) for the material design.
- Shear off holding band (**406, 407**) below holding band loop (**SCL**).
 - Strike cutting lever (**SH**) with the palm of your hand.
- Straighten the holding band (**406, 407**) carefully if it lifts up at the sheared-off end.



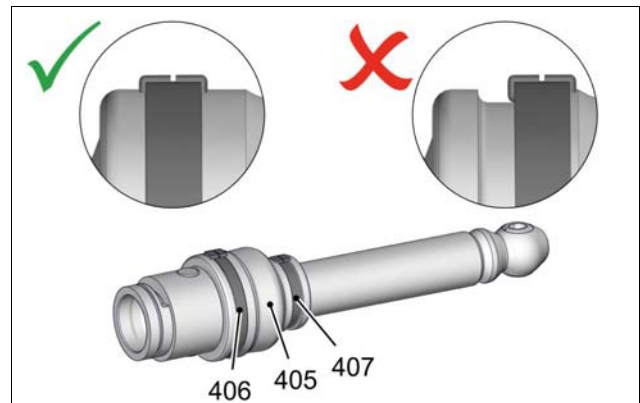
Cut off holding band (406, 407) for material design stainless steel, heat-resistant steel

NOTICE Universal joint sleeve can be damaged by hammering and striking. Joint grease (**GF**) can leak out. Avoid hammering or striking the universal joint sleeve.

- Refer to the technical data (→ chapter 3) for the material design.
- Cut off holding band (**406, 407**) below holding band loop (**SCL**).
 - Use tool (**WBS**).
- File down and deburr any projecting edges.



- The holding band (**406, 407**) must lie in the groove of the universal joint sleeve (**405**).
- Replace the holding band (**406, 407**) if the holding band (**406, 407**) slips back through the loop.

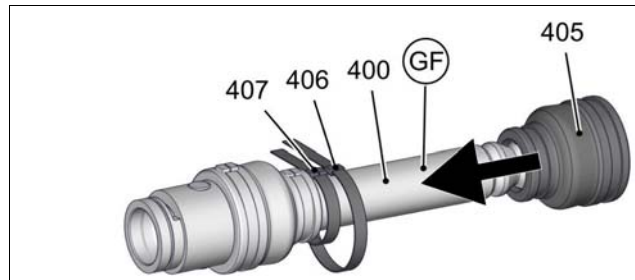


9.2 Reassembly

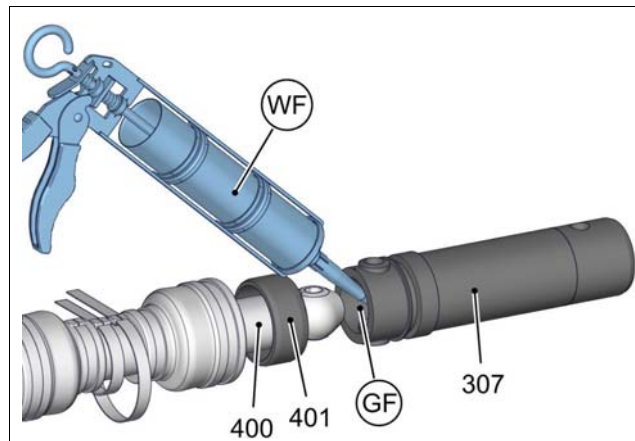


Connect coupling rod (400) and plug-in shaft (307)

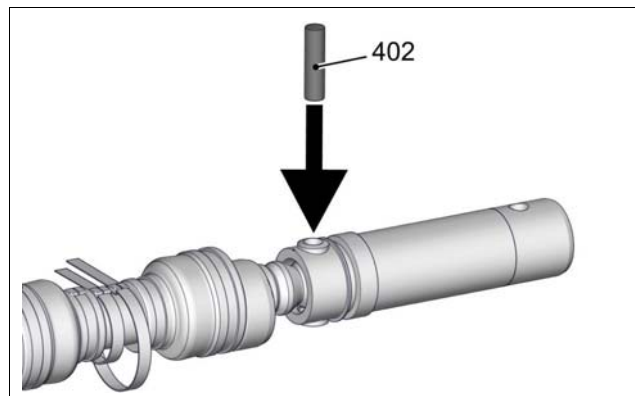
- For easier assembly of the universal joint sleeve (405), lubricate the outer surface of coupling rod (400) with SEEPEX joint grease (GF).
- Slide holding bands (406, 407) and universal joint sleeve (405) onto coupling rod (400).



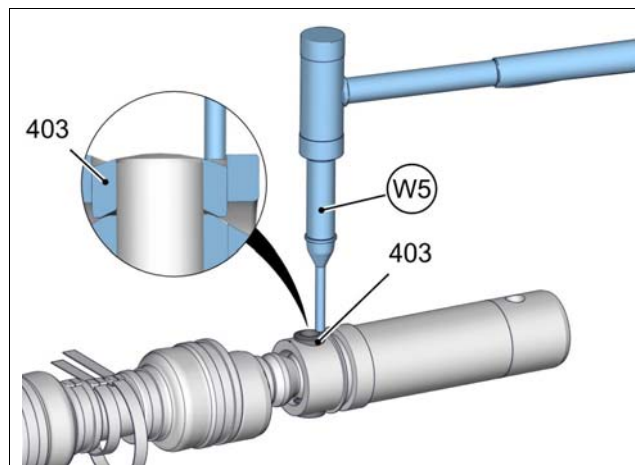
- Fill interior of joint head with SEEPEX joint grease (GF).
 - Use tool (WF).
- Slide the retaining sleeve (401) and plug-in shaft (307) onto the coupling rod (400).




- Insert coupling rod pin (402).

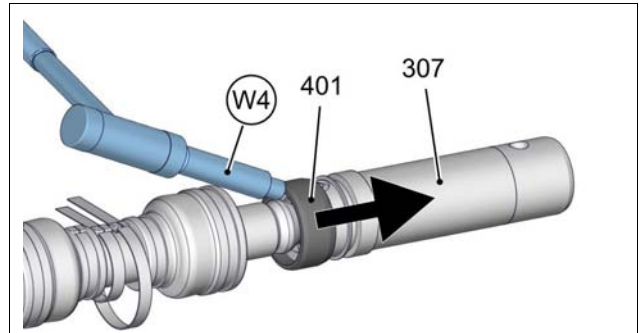


- Knock the guide bushings (403) in.
 - Use tool (W5).



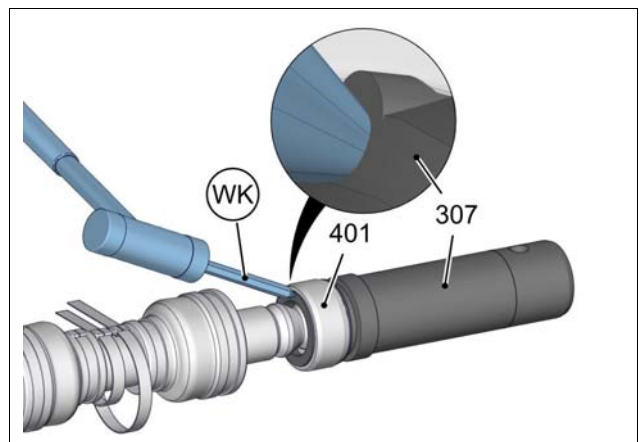


- Slide retaining sleeve (401) onto plug-in shaft (307).
 -  Use tool (W4).



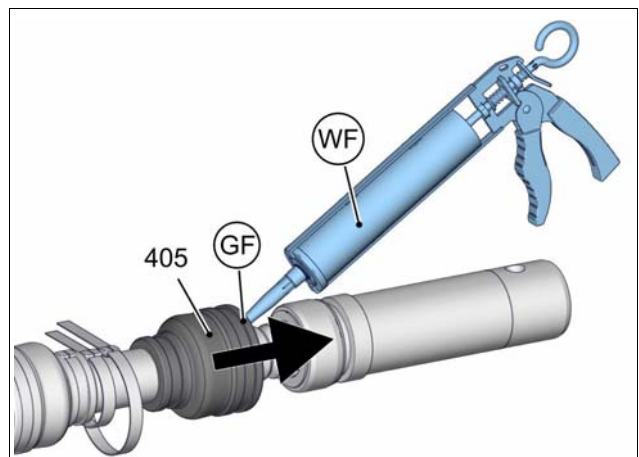
Secure retaining sleeve (401) - drive side

- Secure retaining sleeve (401) at a distance of 180° by means of material deformation at plug-in shaft (307).
 - Use a suitable tool (WK).



Assemble universal joint sleeve (405) - drive side

- Fill the inside of universal joint sleeve (405) with SEEPEX joint grease (GF).
 - For filling grade of SEEPEX joint grease (GF), refer to the maintenance document (→ chapter 7).
 - Use tool (WF).
- Slide universal joint sleeve (405) onto joint.

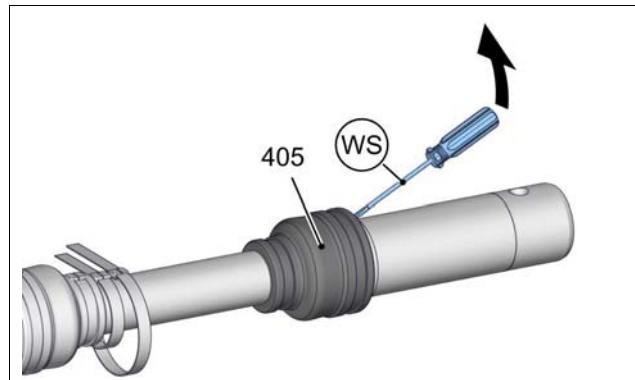


9.2 Reassembly



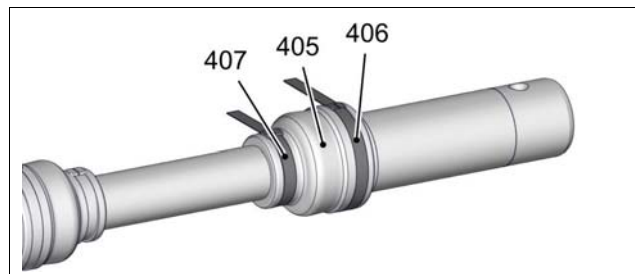
NOTICE Damage of universal joint sleeve due to sharp tools. Leak in universal joint sleeve.

- Ventilate inner area of joint by lifting the universal joint sleeve (405).
 - Use a suitable tool (WS).

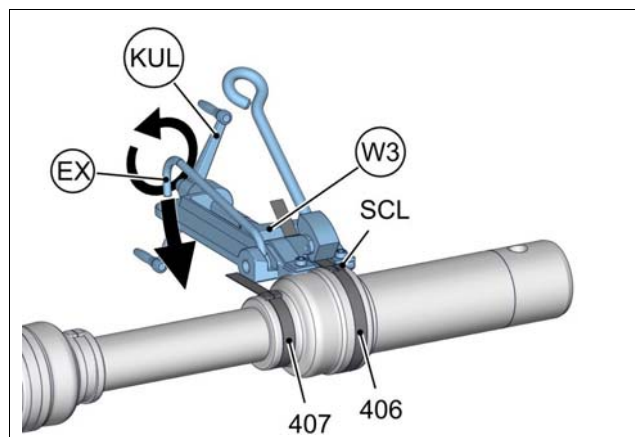


Assemble holding band - drive-side

- Slide holding bands (406, 407) loosely onto universal joint sleeve (405).

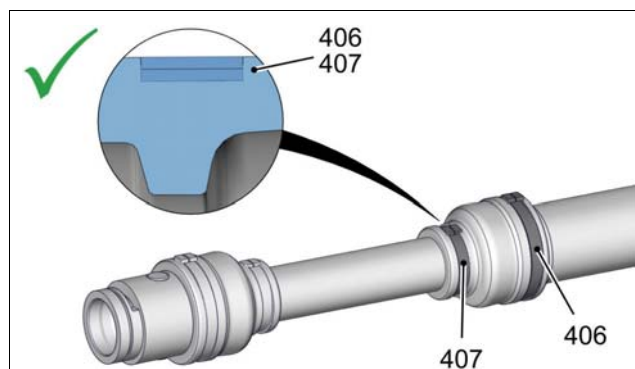


- Tighten holding band (406, 407) - drive-side.
 - Insert holding band (406, 407) into tool (W3).
 - Clamp holding band firmly using eccentric lever (EX).
 - Turn crank (KUL) until the holding band (406, 407) is tensioned and is in contact with holding band loop (SCL).
 - Carefully pull the holding band (406, 407) together until it is in contact with the universal joint sleeve around the circumference.



Correct

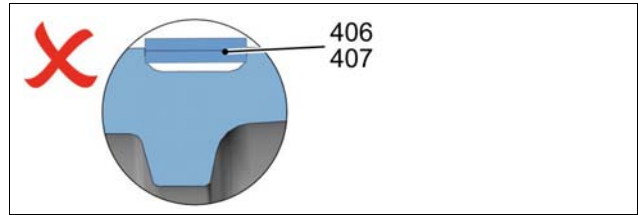
The holding band (406, 407) has drawn in the out shape of the universal joint sleeve and is firmly seated.





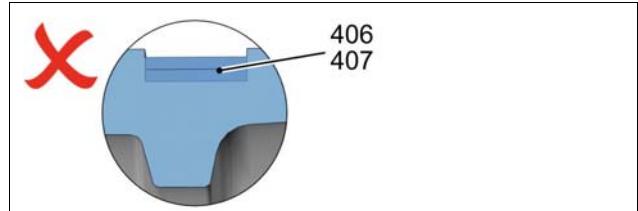
False


Holding band (406, 407) too loose, can slip off.

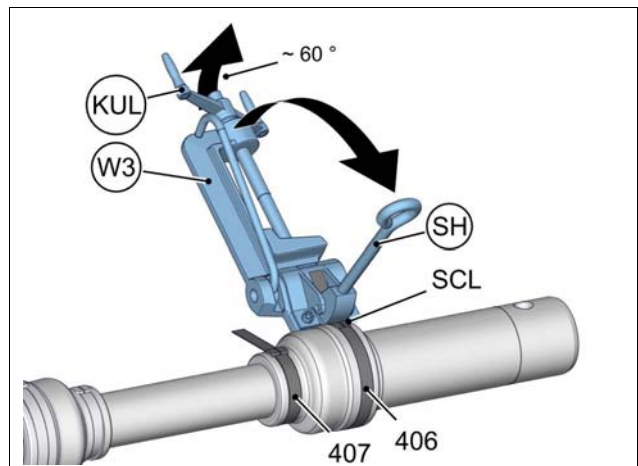


Incorrect

The holding band (406, 407) is too tight, universal joint sleeve will be damaged/sheared off.



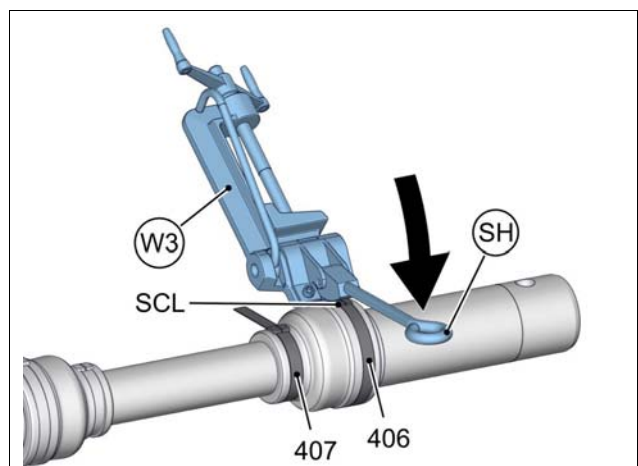
- Cant up the holding band (406, 407).
-  Swivel mounting tool (W3) approx. 60° upwards.
- Loosen crank (KUL) by a half turn.
- Swivel cutting lever (SH) forward until the pressure piece is lying behind the holding band loop (SCL).



Shear off holding band (406, 407) for material design stainless steel, corrosion-resistant steel

NOTICE Universal joint sleeve can be damaged by hammering and striking. Joint grease (GF) can leak out. Avoid hammering or striking the universal joint sleeve.

- Refer to the technical data (→ chapter 3) for the material design.
- Shear off holding band (406, 407) below holding band loop (SCL).
 - Strike cutting lever (SH) with the palm of your hand.
- Straighten the holding band (406, 407) carefully if it lifts up at the sheared-off end.



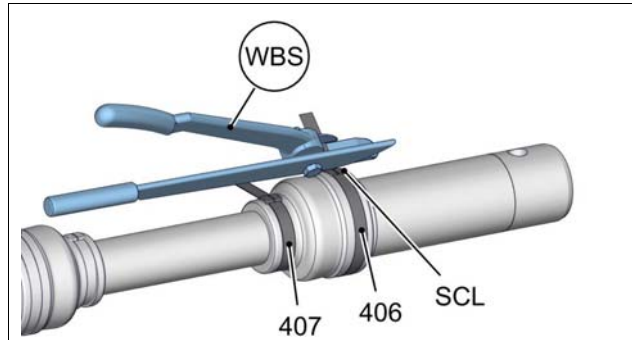
9.2 Reassembly



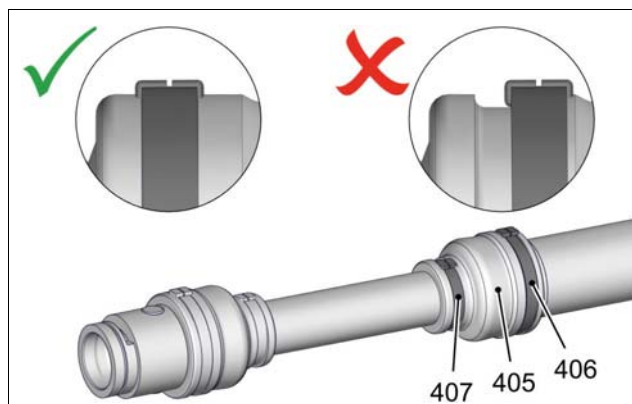
Cut off holding band (406, 407) for material design stainless steel, heat-resistant steel

NOTICE Universal joint sleeve can be damaged by hammering and striking. Joint grease (GF) can leak out. Avoid hammering or striking the universal joint sleeve.

- Refer to the technical data (→ chapter 3) for the material design.
- Cut off holding band (406, 407) below holding band loop (SCL).
 - Use tool (WBS).
- File down and deburr any projecting edges.

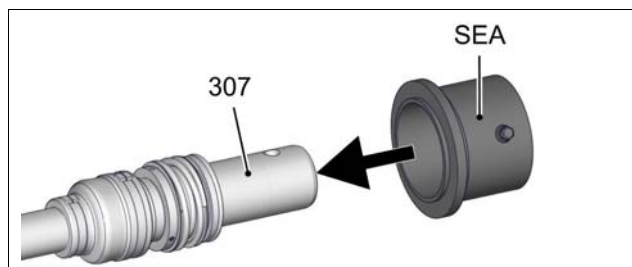


- The holding band (406, 407) must lie in the groove of the universal joint sleeve (405).
- Replace the holding band (406, 407) if the holding band (406, 407) slips back through the loop.

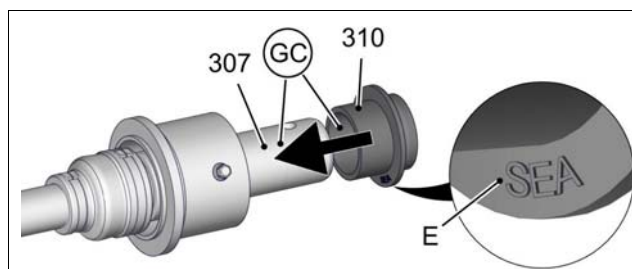


9.2.3.3 Assemble rotating unit (RTE)

- Slide shaft seal casing (SEA) onto plug-in shaft (307).
 - See chapter Shaft seal reassembly (→ chapter 9.4).



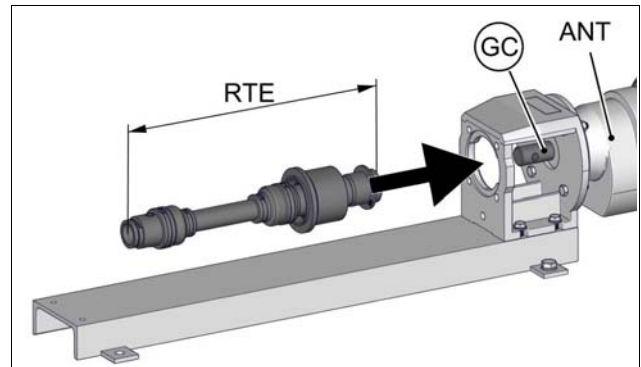
- Moisten inner surface of splash ring (310) and outer surface of plug-in shaft (307) with anti-seize graphite petroleum (GC) for easier assembly of the splash ring (310).
- Slide splash ring (310) onto plug-in shaft (307).
 - Observe fitting position of splash ring (E) (lettering „SEA“).



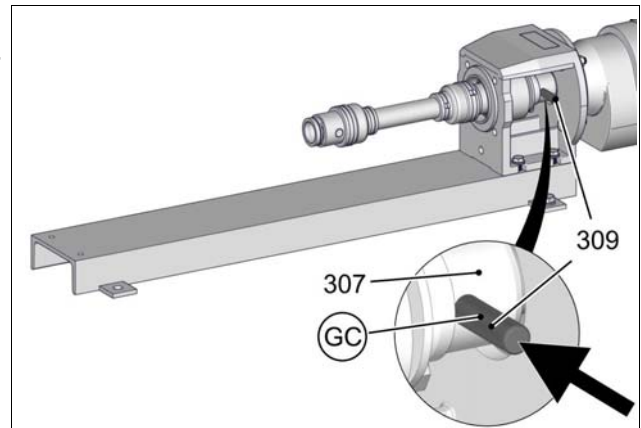


9.2 Reassembly

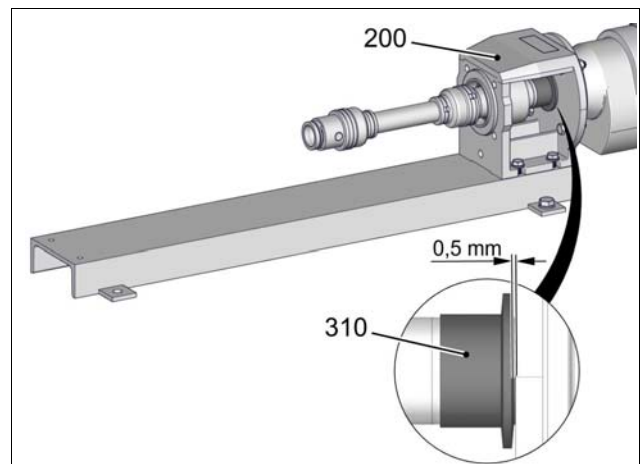
- Moisten output shaft of drive (**ANT**) with anti-seize graphite petroleum (**GC**) for easier assembly of the rotating unit (**RTE**).
- Push rotating unit (**RTE**) onto output shaft of the drive (**ANT**).



- Moisten plug-in shaft pin (**309**) with anti-seize graphite petroleum (**GC**) and insert into the plug-in shaft (**307**).



- Note position of splash ring (**310**).
- Insert splash ring collar at a distance of 0.5 mm from the lantern (**200**).

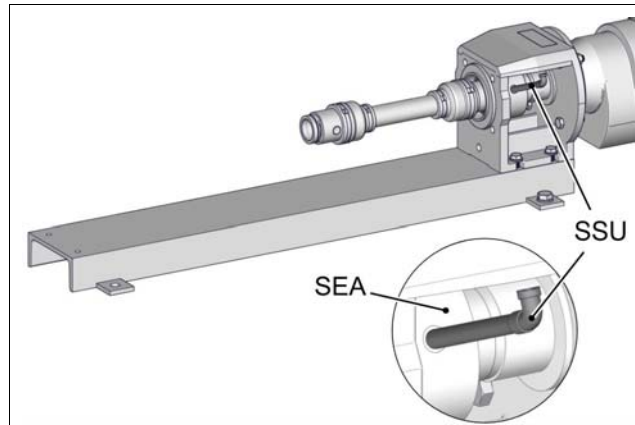


9.2 Reassembly



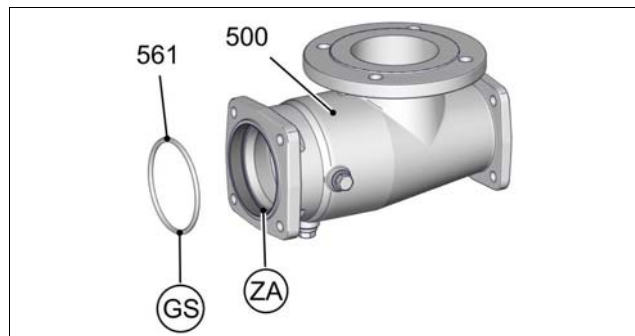
Assemble the flush connection (SSU) (optional)

- Assemble flush connection (SSU).



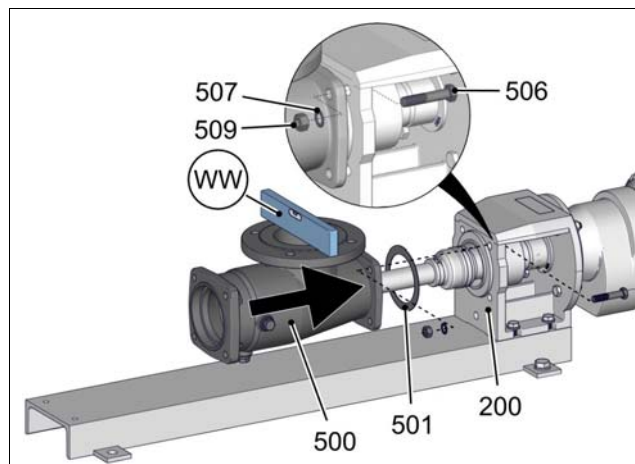
9.2.3.4 Prepare suction casing (700) for assembly

- Clean sealing/centering surface (ZA).
- Moisten O-ring (561) with soft soap (GS) and insert it into the seal face/centering device (ZA) of the suction casing (500).



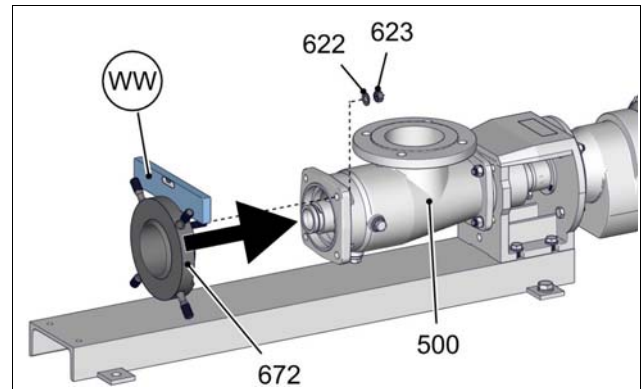
9.2.3.5 Assemble suction casing (500)

- Push on suction casing gasket (501).
- Assemble and align suction casing (500) with screw fitting (506, 507, 509) on lantern (200).
 - Use spirit level (WW).
- Tighten screw fitting (506, 507, 509).



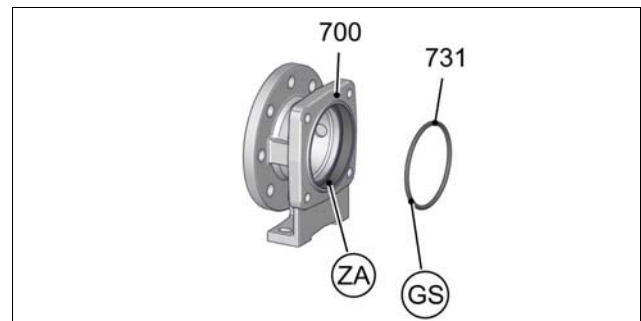


- Assemble and align segment retainer (672) with screw fitting (622, 623) on suction casing (500).
 - Use spirit level (WW).
- Tighten screw fitting (622 623).

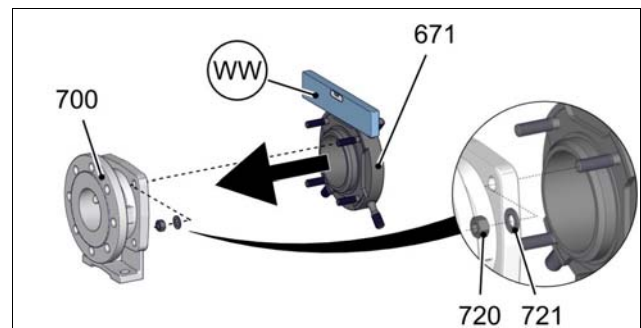


9.2.3.6 Prepare pressure branch (700) for assembly

- Clean the sealing / centering surface (ZA).
- Apply soft soap (GS) to the O-ring (731) and place it on the sealing / centering surface (ZA) of the pressure branch (700).

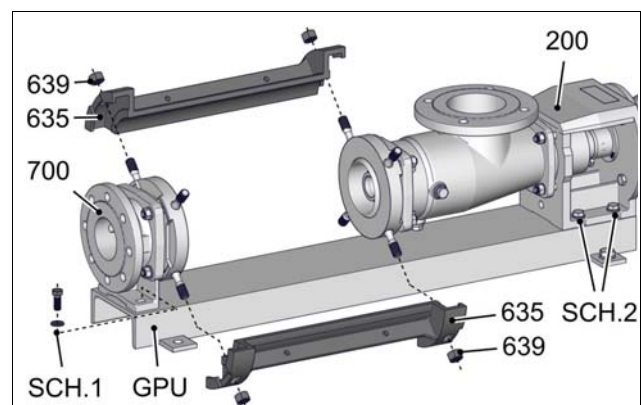


- Assemble and align segment retainer (671) with screw fitting (720, 721) on pressure branch (700).
 - Use spirit level (WW).
- Tighten screw fitting (720 721).



9.2.3.7 Assemble pressure branch (700)

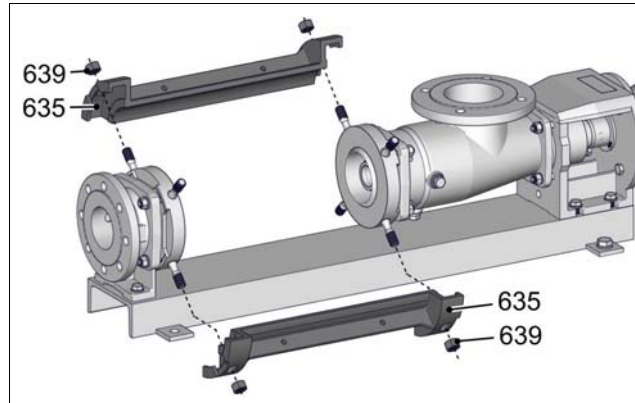
- Align pressure branch (700) on base plate (GPU).
 - Assemble pressure branch (700) with screw fitting (SCH.1) on base plate (GPU).
 - If required, loosen screw fitting (SCH.2) on lantern (200).
 - Use at least 2 adjusting segments (635) opposite each other for the alignment. To secure, gently tighten hexagon nuts (639).
- Tighten screw fittings (SCH.1, SCH.2) on pressure branch (700) and lantern (200).



9.2 Reassembly

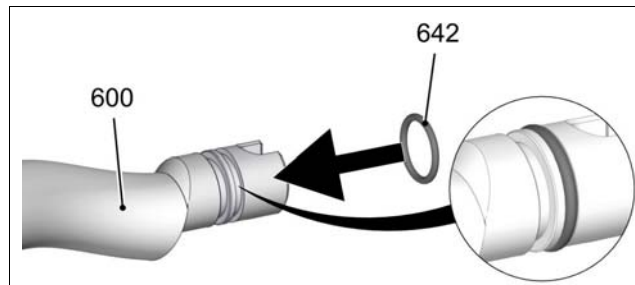


- Dismantle screw fitting (639) and remove adjusting segments (635).

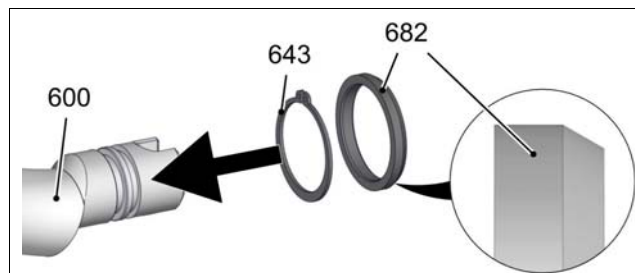



9.2.3.8 Assemble rotor (600)

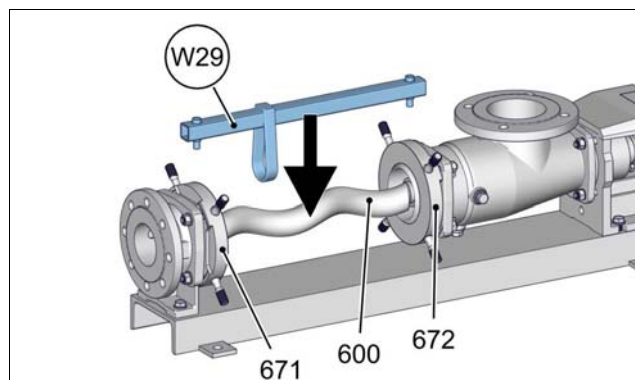
- Insert O-ring (642) into circumferential groove of the rotor (600).



- Slide circlip (643) and support ring (682) onto rotor (600).
 - Observe the fitting position of support ring (682).



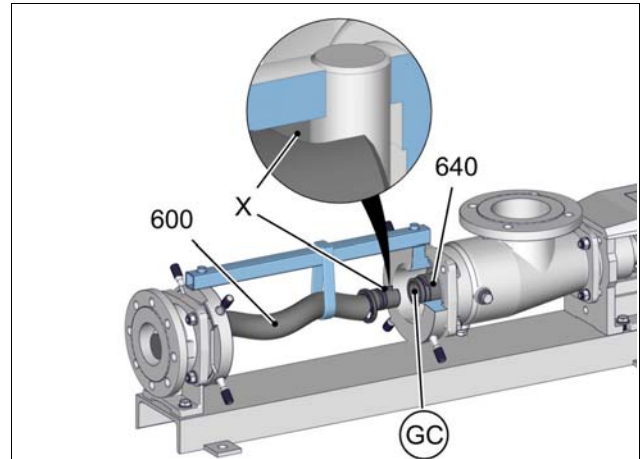
-  Mount tool (W29) on segment retainers (671, 672).



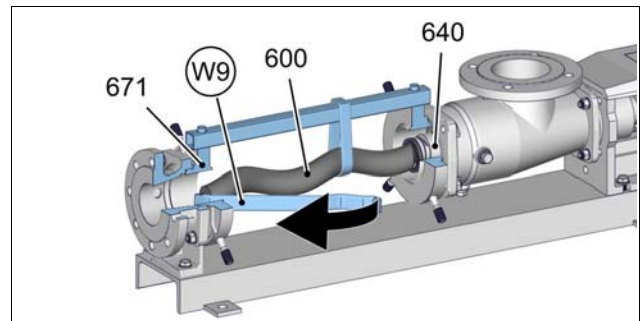


9.2 Reassembly

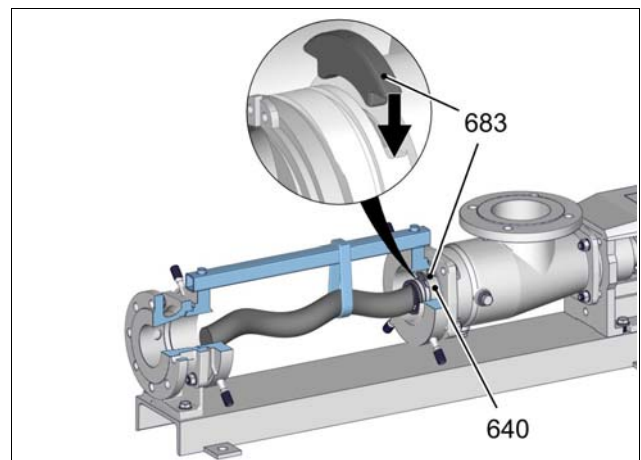
- Moisten inner surface of rotor head (640) with anti-seize graphite petroleum (GC).
- Slide rotor (600) into rotor head (640).
 - Note position of the groove (X).



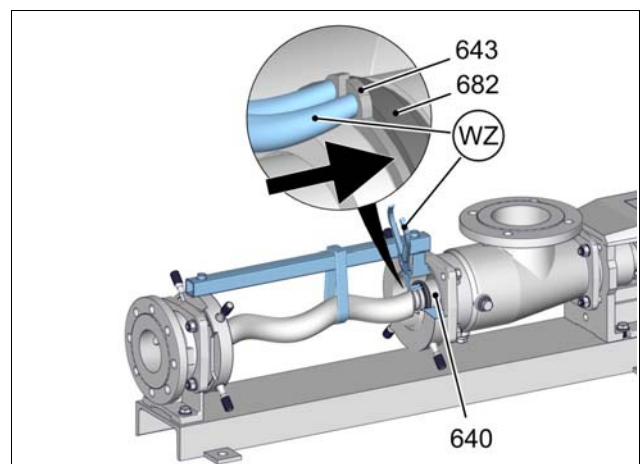
- Press rotor (600) into the rotor head (640).
 - Use tool (W9).
 - Protect segment retainer (671) against possible damage and deformation.



- Insert lock washer (683) into the rotor head (640).



- Slide on support ring (682) onto the rotor head (640).
- Secure support ring (682) with circlip (643).
 - Use tool (WZ).





9.2.3.9 Assemble stator (601)

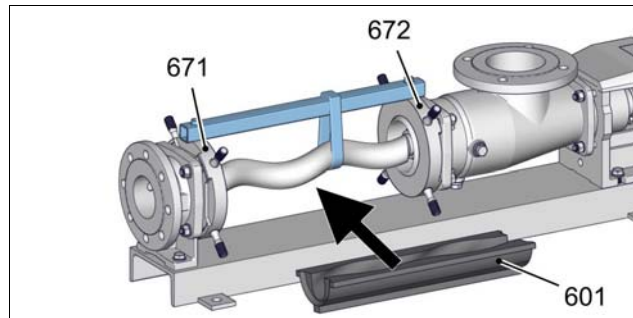
NOTICE

Moisten stator outer surfaces with soft soap (GS).

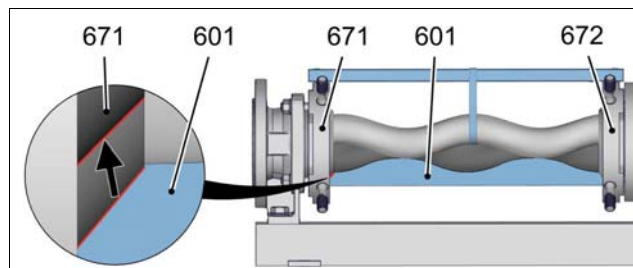
Damage to stator halves (601).

- For easier assembly, only coat seal faces, stator internal surfaces of stator halves (601) and rotor (600) with soft soap (GS).

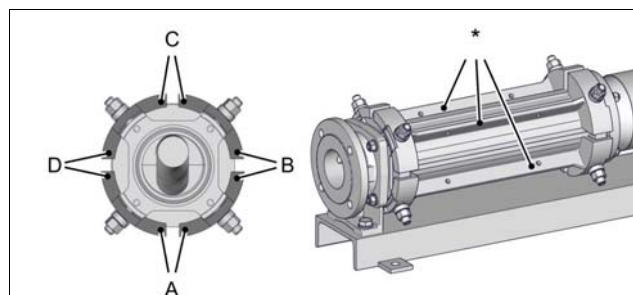
- Attach lower stator half (601).
- Press the stator half (601) onto the tapered surfaces of the segment retainer (671) and align it.



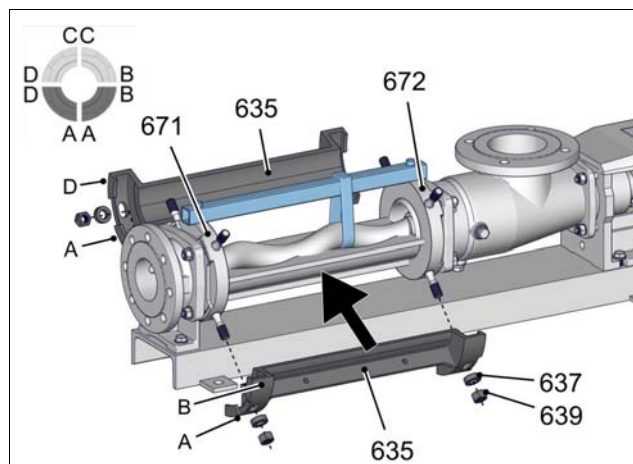
NOTICE Avoid damage to the stator surfaces. The tapered surfaces of stator halves (601) must contact the tapered surfaces of the segment retainers (671, 672).



- Observe the segment order.
 - * = A-A, B-B, C-C, D-D




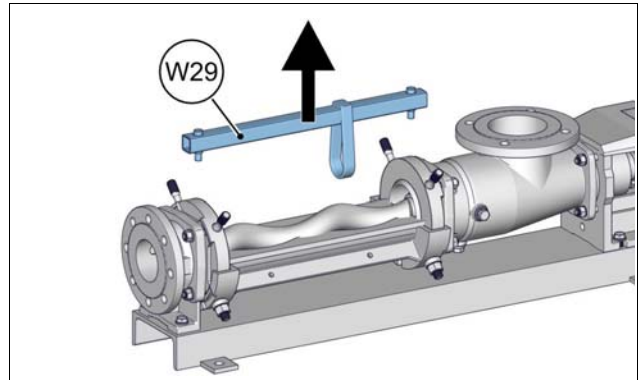
- Fix the lower adjusting segments (635) with screw fitting (637, 639) to the segment retainers (671, 672).
 - Observe segment allocation (A-A).



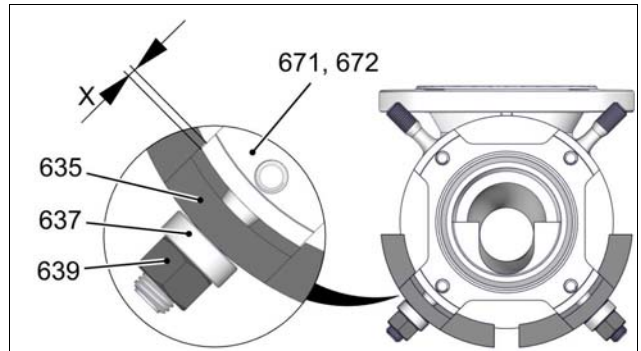


9.2 Reassembly

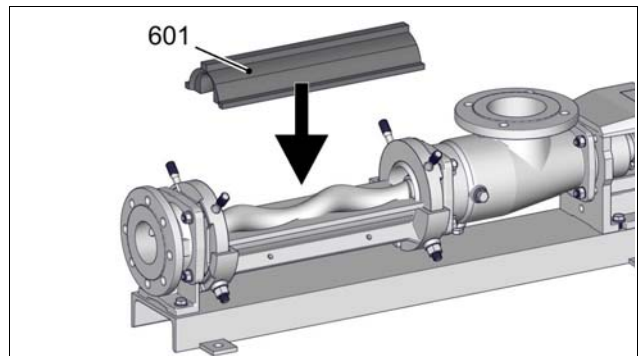
-  Dismantle tool (**W29**).



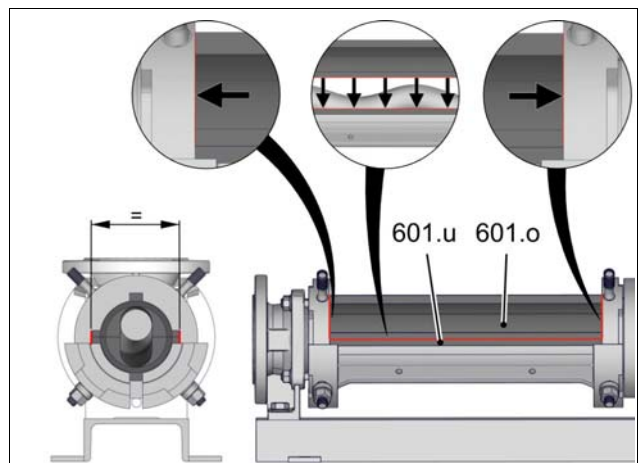
- Tighten the screws (**637**, **639**) until the adjusting segments (**635**) minimal (**X**) interlock with the guide of the segment retainer (**671**, **672**).



- Attach the upper stator half (**601**).



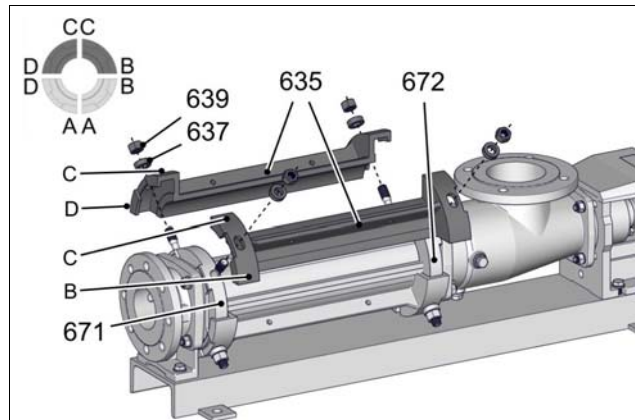
- Align the long side of the upper half of the stator (**601.o**) to the lower half of the stator (**601.u**).



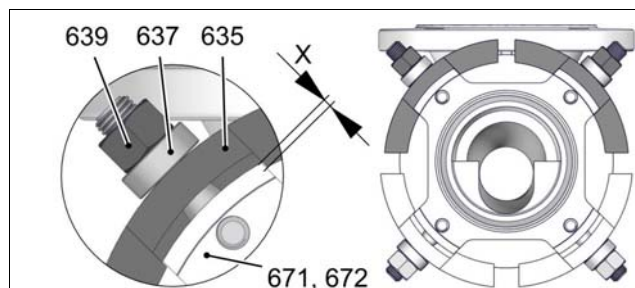
9.2 Reassembly



- Fix the upper adjusting segments (635) with screw fitting (637, 639) to the segment retainers (671, 672).
 - Observe the segment order (A-A, B-B, C-C, D-D).

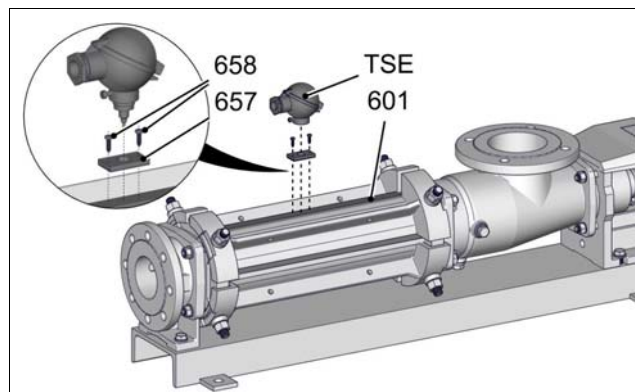


- Tighten the screws (637, 639) until the adjusting segments (635) minimal (X) interlock with the guide of the segment retainer (671, 672).



Assembling the dry-running protection device (TSE) (optional)

- Assemble dry-running protection device (TSE).
 - Refer to chapter Options and Additional accessories (→ chapter 12.1).



9.2.3.10 Smart Stator setting

NOTICE

Motor overload due to excessive compression between rotor and stator.

Damage to pump and drive can occur.

- Do not exceed drive power consumption value established with new rotor and stator.
- Observe commissioning report (→ chapter 6.1).

NOTICE

Gap between stator halves due to inappropriate setting.

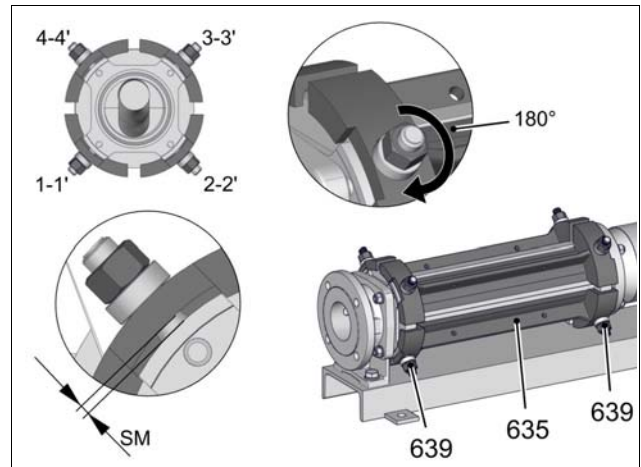
Possible leakage at stator.

- Set stator halves according to specified basic and precision setting.



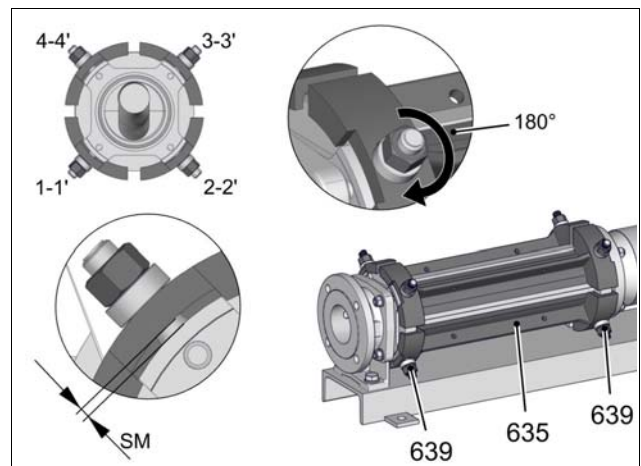
Align adjusting segments (635)

- Tighten adjusting segments (**635**) by means of hexagon nuts (**639**) at first in 180° steps.
 - Observe the order: 1-1', 2-2, 3-3', 4-4'.
 - Set identical gap dimensions (**SM**) on all adjusting segments.

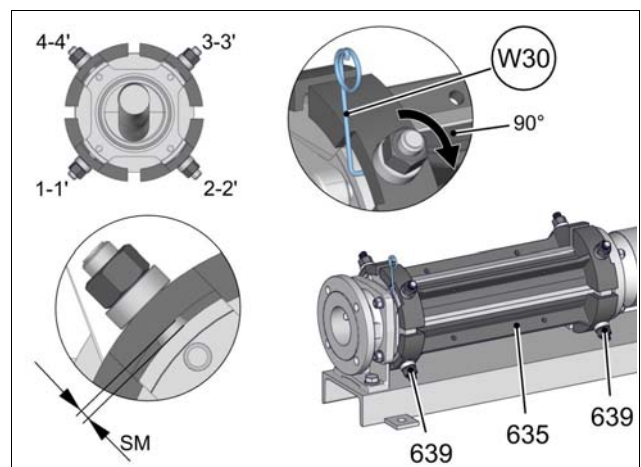


Adjusting segments (635) - Basic setting

- Tighten adjusting segments (**635**) evenly using the hexagon nuts (**639**).
- Observe the order.
 - 1-1', 2-2', 3-3', 4-4'




- Tighten adjusting segments (**635**) by means of hexagon nuts (**639**) in max. 90° steps.
 - Observe the order: 1-1', 2-2, 3-3', 4-4'.
 - Set identical gap dimensions (**SM**) on all adjusting segments.
 - Use tool (**W30**). Attachment point to be at the centre of the gap.



9.4 / 9.5 Shaft sealing

9.4.1 Safety

 WARNING	
Shaft seal is leaky. Leakage may escape into the atmosphere.	
<ul style="list-style-type: none">➤ Take safety measures to protect persons and the environment.➤ Wear suitable protective clothing.➤ Dispose of leakage appropriately.➤ Note applicable regulations when handling hazardous substances.	

9.4.2 Operating conditions and material combination

- Adjust to the relevant application
 - Design variants you will find at <http://www.seepex.com/en/service/downloads/>.

10.1 Spare parts list

10.2 Sectional drawing and parts list

Ordering spare parts

Commission number

The commission number and type are printed on the type plate of your SEEPEX machine.

Type

Request

After placing the order, you will receive an order confirmation and deadline before the parts are shipped.

Order

Your data

First Name

Surname

Company

Department

Street

Postcode, City

Telephone

Fax

E-mail

Our contact data

Customer Service

Fax +49.2041.996-5350

service@seepex.com

10. Spare parts

Order spare parts or complete packages tailored to your pump type.

Spare parts

Plug-in shaft and shaft seal

No.	Component	Qty.
301	Packing ring (set) *	<input type="checkbox"/>
307	Plug-in shaft	<input type="checkbox"/>
309	Plug-in shaft pin	<input type="checkbox"/>
310	Splash ring	<input type="checkbox"/>
311	Flushing ring *	<input type="checkbox"/>
330	Mechanical seal *	<input type="checkbox"/>

Coupling rod and joint parts

No.	Component	Qty.
400	Coupling rod + Coupling rod bushing	<input type="checkbox"/>
401	Retaining sleeve	<input type="checkbox"/>
402	Coupling rod pin	<input type="checkbox"/>
403	Guide bushing	<input type="checkbox"/>
405	Universal joint sleeve	<input type="checkbox"/>
406	Holding band	<input type="checkbox"/>
407	Holding band	<input type="checkbox"/>

Pumping elements

No.	Component	Qty.
600	Rotor	<input type="checkbox"/>
601	Stator half	<input type="checkbox"/>
640	Rotor head	<input type="checkbox"/>
642	O-ring	<input type="checkbox"/>
643	Clirclip	<input type="checkbox"/>
682	Support ring	<input type="checkbox"/>
683	Locking plate	<input type="checkbox"/>

Miscellaneous parts

No.	Component	Qty.
501	Casing gasket	<input type="checkbox"/>
503	Sealing ring	<input type="checkbox"/>
511	Seal *	<input type="checkbox"/>
517	Sealing ring *	<input type="checkbox"/>
706	Sealing ring	<input type="checkbox"/>
098	Joint grease (GF) = 300 g (~ 315 cm ³) for the required grease quantity refer to chapter 10	<input type="checkbox"/>

Complete packages

Small wearing parts package

consisting of:	Qty.
1 x Rotor (600) 2 x Stator half (601) 1 x O-ring (642) 1 x Clirclip (643) 1 x Support ring (682) 1 x Locking plate (683)	<input type="checkbox"/>

10. Spare parts

Large wearing parts package

consisting of:

Qty.

- 1 x Packing ring (set) (301) *
- 1 x Plug-in shaft (307)
- 1 x Splash ring (310)
- 1 x Flushing ring (311) *
- 1 x Mechanical seal (330) *
- 1 x Coupling rod (400)
- 2 x Retaining sleeve (401)
- 2 x Coupling rod pin (402)
- 4 x Guide bushing (403)
- 2 x Universal joint sleeve (405)
- 2 x Holding band (406)
- 2 x Holding band (407)
- 1 x Casing gasket (501)
- 1 x Rotor (600)
- 2 x Stator half (601)
- 1 x Rotor head (640)
- 1 x O-ring (642)
- 1 x Clirclip (643)
- 1 x Support ring (682)
- 1 x Locking plate (683)
- Joint grease (098)

* according to pump design

Place, date

Signature, company stamp

Ordering special tools

Commission number

The commission number and type are printed on the type plate of your SEEPEX machine.

Type

Request

Order

After placing the order, you will receive an order confirmation and deadline before the parts are shipped.

Your data

First Name

Surname

Company

Department

Street

Postcode, City

Telephone

Fax

E-mail

Our contact data

Customer Service









Fax +49.2041.996-5350

service@seepex.com

11. Special tools

Your order

Order special tools tailored to your pump type.

Tool no.	Denomination	For assembly of	Order no.	
W1	 Packing puller	Packing*	PKZ	<input type="checkbox"/>
W3	 Mounting tool	Holding band	MHB	<input type="checkbox"/>
W4	 Assembly mandrel	Joint	MTD	<input type="checkbox"/>
W5	 Drift	Joint	DHS	<input type="checkbox"/>
W9	 Mounting lever	General	MHL	<input type="checkbox"/>
W10	 Dismantling tool	Plug-in shaft	AZV	<input type="checkbox"/>
W29	 Hoisting device incl. tension belt	Rotor SST, SCT	MVR	<input type="checkbox"/>
W30	 Feeler gauge	Adjusting segment	ESL	<input type="checkbox"/>

*see sectional drawing and parts list (→ Chapter 10.2)

Place, date

Signature, company stamp

12.1 Accessories/Technical information

- Accessories and technical information are commission specific documents not part of this not binding operating and assembly instruction.

13.1 Manufacturer's and supplier's documents

- Manufacturer's and supplier's documents are commission specific documents and not part of this not binding operating and assembly instruction.

Great Britain

SEEPEX UK Ltd.
3 Armtech Row
Houndstone Business Park
Yeovil Somerset BA22 8RW
Tel +44.1935.472376
Fax +44.1935.479836
sales@seepex.co.uk

Austria

SEEPEX GmbH
Vertriebsbüro Österreich
Obermüllergasse 18
3003 Gablitz
Tel +43.2231.61085
Fax +43.2231.6108520
hfriedl@seepex.com

Belgium

SEEPEX GmbH
Bureau België
Industriezone Klein Gent-Link 21
Welvaartstraat 14-1 bus 15
2200 Herentals
Tel +32.14.501471
Fax +32.14.501461
seepex.be@seepex.com

Denmark

SEEPEX Nordic A/S
Krakasvej 7C
3400 Hillerød
Tel +45.49.192200
Fax + 45.49.193200
info.nordic@seepex.com

France

SEEPEX France SARL
1, Rue Pelloutier
77183 Croissy Beaubourg
Tel +33.1.64114450
Fax + 33.1.64114489
info.fr@seepex.com

Hungary

SEEPEX GmbH
Magyarországi iroda
Hecskó Tamás okl.vill.mérn.
Éva utca 5.
7632 Pécs
Tel +36.205806134
Fax +36.72952587
thecsko@seepex.com

Ireland

SEEPEX UK Ltd.
Branch Office Ireland
29 Lackenfune
Dungarvan
Co. Waterford
Tel +353.860450439
sales@seepex.co.uk

Italy

SEEPEX Italia S.r.l.
Via Alberto da Giussano 23
20145 Milano (MI)
Tel +39.02.36569360
Fax +39.02.92877855
info.it@seepex.com

Poland

SEEPEX GmbH
Przedstawicielstwo w Polsce
ul. Romana Maya 1
61-371 Poznan
Tel +48.61.6469270
Fax +48.61.6469271
info.pl@seepex.com

Sweden

SEEPEX Nordic A/S
Hamndalsvägen 58
61633 Åby
Tel +46.1166940
Fax +46.1166941
info.nordic@seepex.com

The Netherlands

SEEPEX GmbH
Bureau Nederland
Visbystraat 13
7418 BE Deventer
Tel +31.570.516644
Fax +31.570.516077
seepex.nl@seepex.com

Russia

SEEPEX Ltd. Ugreshskaya
Str. 2 Bldg. 23
115088 Moscow
Tel +7.495.2874830
Fax +7.495.2874830
info.cis@seepex.com

USA

SEEPEX Inc.
511 Speedway Drive
Enon
Ohio 45323
Tel +1.937.8647150
Fax + 1.937.8647157
sales@seepex.net

China

SEEPEX Pumps (Shanghai) Co., Ltd.
Xuanzhong Rd. 399, Building 13
Nanhui Industrial Area
201300 Shanghai
Tel +86.21.38108888
24-Hour Helpline +86.400.7701066
Fax +86.21.38108899
info.cn@seepex.com

India

SEEPEX India Pvt. Ltd.
Office No. 305.
Raheja Arcade Building
Sector 11, C.B.D. Belapur
Navi Mumbai 400614
Tel +91.22.40240434/35
Fax +91.22.40240436
info.ind@seepex.com

UAE

SEEPEX Middle East (Branch)
Dubai Airport Freezone
Building 4EA, Office 717
PO BOX 371159
Tel +971.4.256.6400
mkhalafa@seepex.com

Japan

日本シーベックス株式会社
5-2-44 Onna, Atsugi-shi,
Kanagawa-ken, 243-0032
Tel +81.46.2595931
Fax +81.46.2595941
info.jp@seepex.com

Malaysia

SEEPEX (M) Sdn. Bhd.
No. 2, Jalan 51/203A
Kaw. Perindustrian Tiong Nam
Seksyen 51
46050 Petaling Jaya
Selengor Darul Ehsan
Tel +60.3.88009888
seepex.m@seepex.com

Australia

SEEPEX Australia Pty. Ltd.
Unit 3, 4 Bounty Close
Tuggerah Business Park
NSW 2259
Tel +61.2.43554500
Fax +61.2.43554022
info.au@seepex.com