

ZMero aintenance™ Seals

PRODUCTS FOR TODAY'S BUDGET and TODAY'S ENVIRONMENT

Waterless Seals for Tri-Clover Pumps



Available Pump sizes:
216, 218, 328, 4410
2BEH. 3EH. 4EH

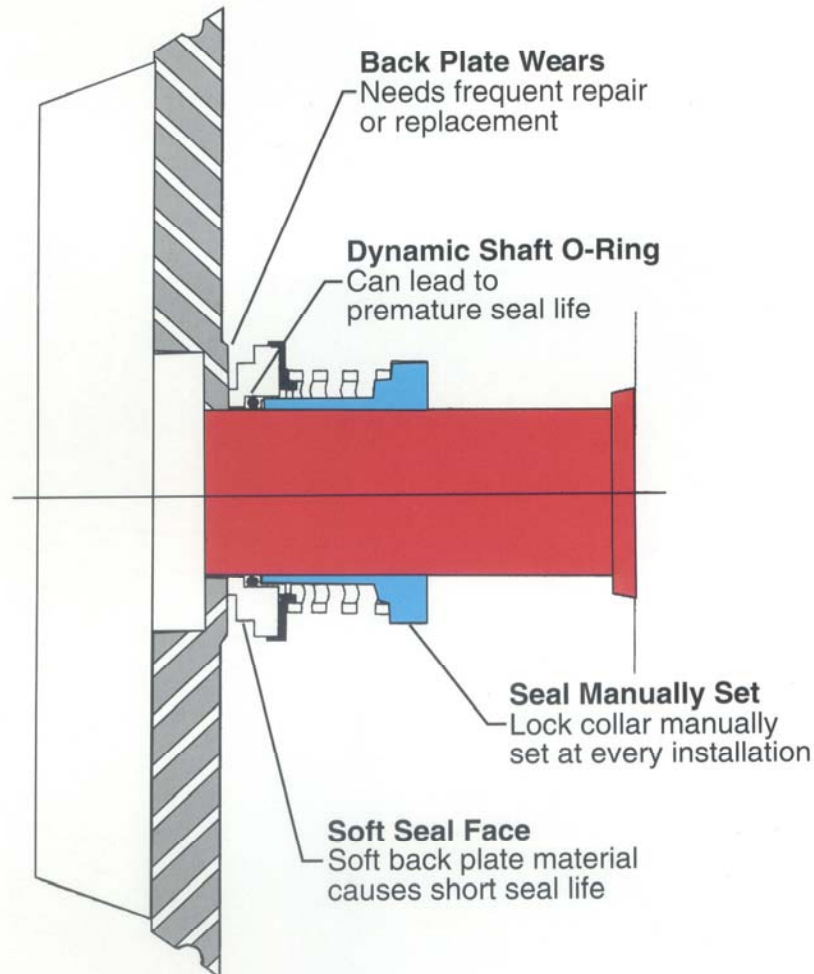


Products using an advanced design and materials which offer
reliability and performance unmatched by any other seal.

2250 Stewart St. #6, Stockton, CA 95205 • (209) 547-1965

Reduce Maintenance with...

The Old Way...



**Tri-O
Pu**
Models:216

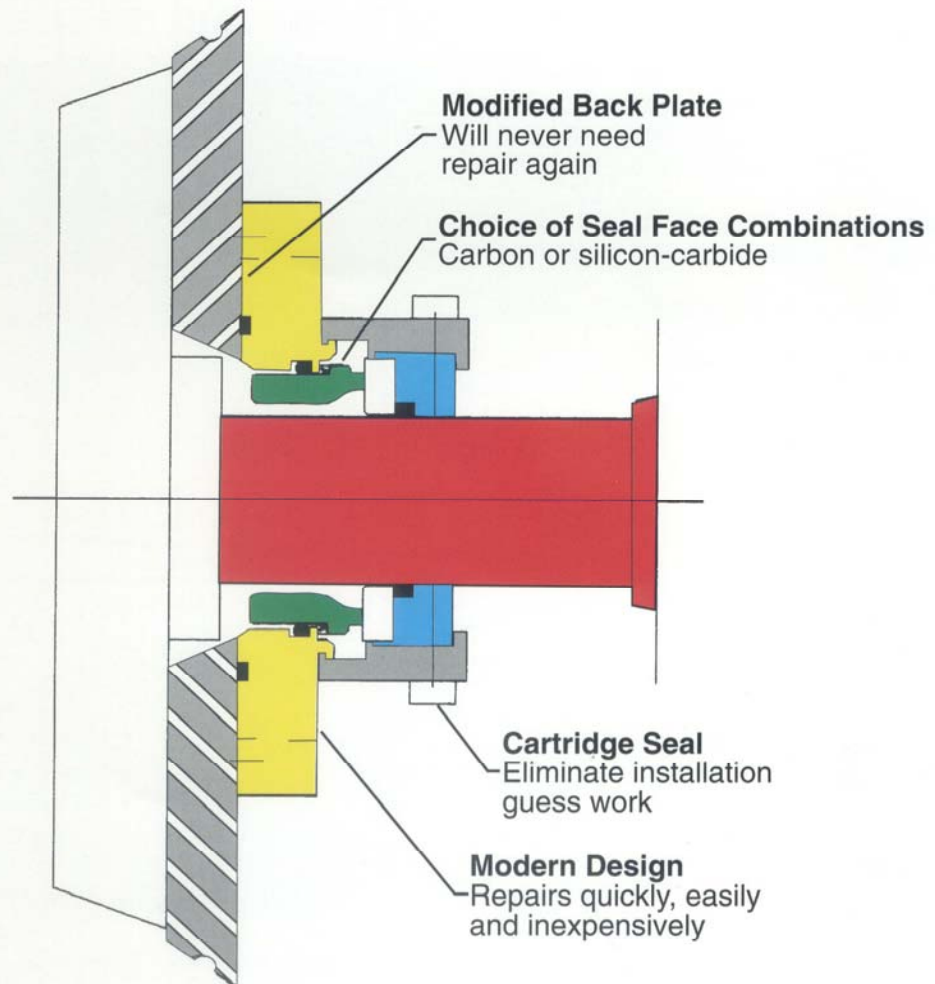
How To Reduce Maintenance

- Better seal face materials and a better seal design provides seal life that averages 3 - 5 times longer than the manufacture's seal.
- Zero Maintenance design eliminates back plate wear, reducing time to repair pump.
- Field repairable - thus minimizing downtime.
- Seal is quickly, easily and inexpensively repaired with a repair kit.

Zero Maintenance™ Seals

The Better Way...

Over
mp
18, 328, 4410



How To Reduce Spending

- Back Plate and Shaft repair are totally eliminated. Reduces pump repair costs.
- Less downtime means more production time.
- Exchange Seal Repair Kit makes seal repair painless - easier and less expensive than repairing the manufacturer's seals.
- Easy seal installation and pump overhaul uses less mechanic time.

Tri-Clover Seal- Seal is delivered pre-assembled and ready for installation. All fasteners and O-rings are provided for your convenience and ease of seal installation. Back Plate modifications are needed for all 216, 218, 328, 4410 Model pumps. Consult your distributor for the best modification method that best suits your needs.

Zero Maintenance Seals offer quick and inexpensive repair options:

Tri-Clover Seal Exchange Kit- Used Rotary and Stationary seal parts are returned for an inexpensive repair kit. This kit includes: reconditioned Silicon-Carbide components, new Carbon components, and all parts necessary to completely rebuild your ZMT Tri-Clover Seal.

Tri-Clover Seal Repair Kit- This seal kit includes all new seal components. A complete Seal Repair Kit includes: new Silicon-Carbide components, new Carbon components, and all parts necessary to completely rebuild your ZMT Tri-Clover Seal.

ZM Technologies is dedicated to provide the highest quality parts, incorporating the newest and innovative seal design concepts.

We guarantee your satisfaction. If at any time you are not satisfied with your seal performance, please contact your local Distributor for details on our performance guarantee.



Tri-Clover® is a Registered Trademark of Tri-Clover, Inc.
ZMT, Inc. is not an affiliate or acting as a representative of Tri-Clover, Inc.

ZM TECHNOLOGIES

2250 Stewart St. #6, Stockton, CA 95205 • (209) 547-1965 • FAX (209) 464-8140