

**Seal Application Data Sheet**

Customer Name - Date -  
Company Name -  
Address -

City - State - ZIP -  
Country -  
E-mail -  
Phone -  
FAX -

Distributor or Representative -

**Equipment Data:**

Location - Identification -  
Manufacturer - Model Number -  
Size - Shaft Speed -  
Material equipment made of? -

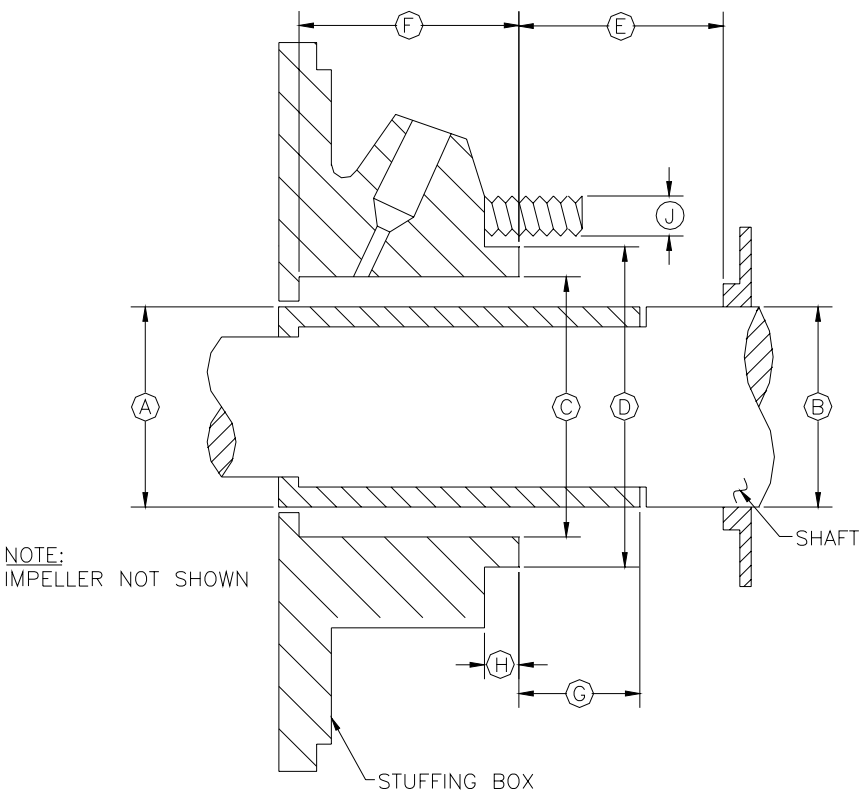
**Pump Features:**

Type - Vertical  Horizontal  Mixer  Pump

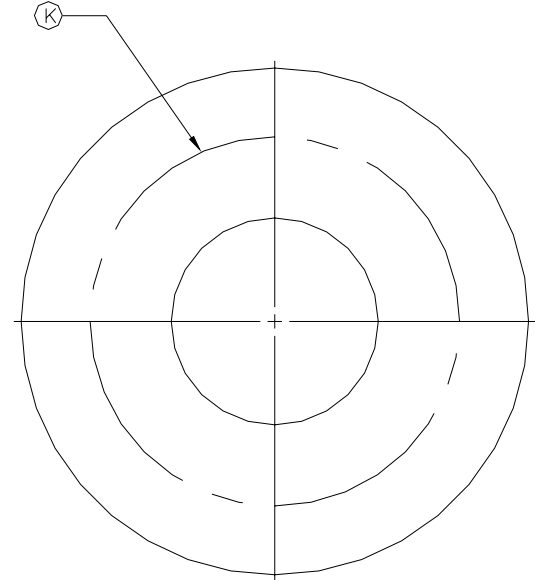
Split Case? Yes  No   
Cooling Jacket on pump? Yes  No   
Cooling Jacket on Stuffing Box? Yes  No   
Large Bore Stuffing Box? Yes  No   
Has pump been altered? Yes  No

**Pressures:**

Suction -  
Discharge -  
Stuffing Box -



NUMBER OF BOLTS -  
DIAMETER OF BOLTS CIRCLE -  
SIZE OF BOLTS OR STUDS -



Equipment Dimensions:

- A – Sleeve O.D. -
- C- Stuffing Box bore
- D – Register O.D. -
- G – End of sleeve -
- J – Bolt/Stud size -

- B – Shaft O.D. –
- E – Nearest Obstruction –
- F – Stuffing Box depth –
- H – Register length –
- K – Bolt/Stud Circle –

Fluid Characteristics:

Product to be sealed –

Temperature –

Does fluid set up and harden? Yes  No

Is the fluid dangerous or toxic? Yes  No

Is the fluid corrosive? Yes  No

Is the fluid used for plating? Yes  No

pH value -                      Specific Gravity -                      Flash Point -                      Viscosity –

Fluid Characteristics cont.:

Solids present?                      Yes  No

Percentage of solids –

Does fluid crystallize? Yes  No

Clean flush available? Yes  No

Product flush available? Yes  No

Quench liquid or steam available? Yes  No

Cooling water available? Yes  No

Is system cleaned? Yes  No

With what? -

Current sealing method:

Pump packed?                      Yes  No

Type of packing –

Mechanical seal being used?                      Yes  No

Seal manufacturer –

Seal model number –

Seal materials used –

Current seal life –